

1 2 3 4 5 6 7 8

COUNT	DESCRIPTION OF REVISIONS	BY	CHKD	DATE	COUNT	DESCRIPTION OF REVISIONS	BY	CHKD	DATE
1	DIS-P-00000179	KUDO	TOKUTA	16. 9. 16					

A

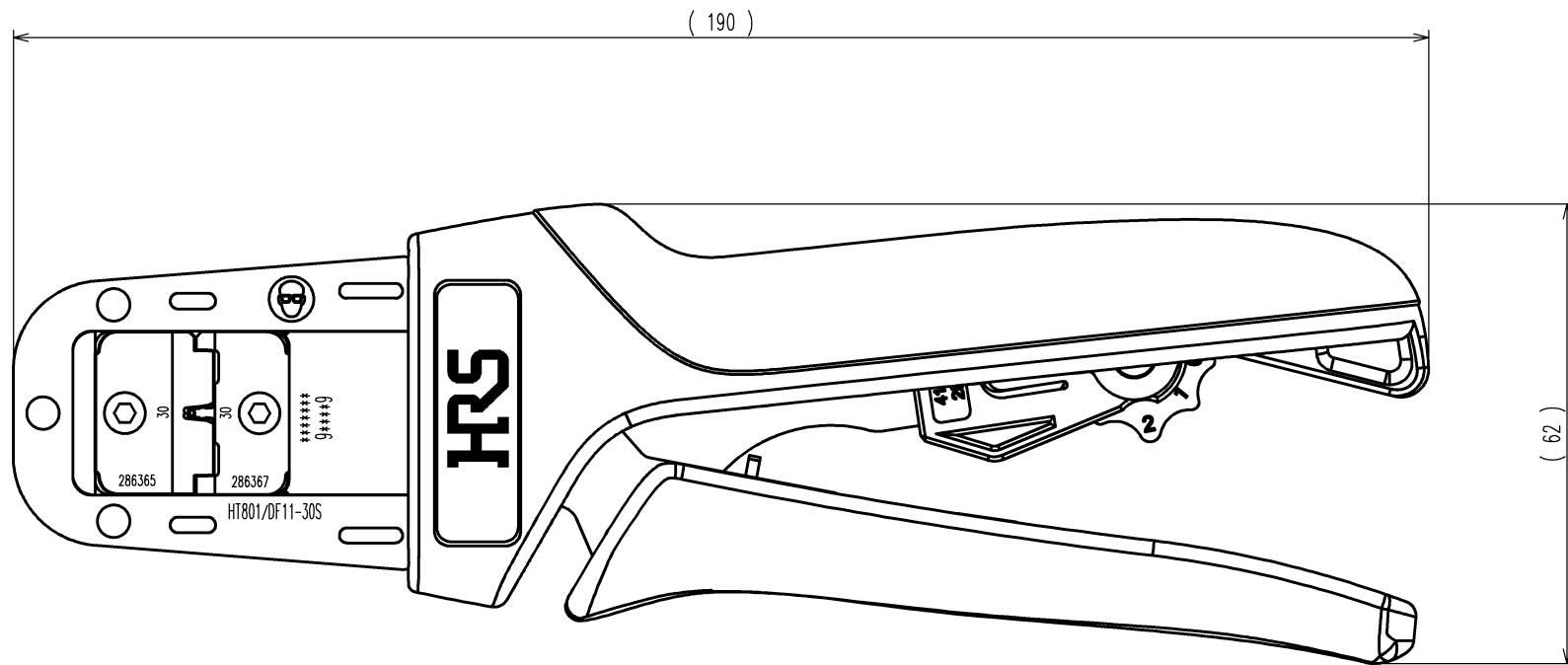
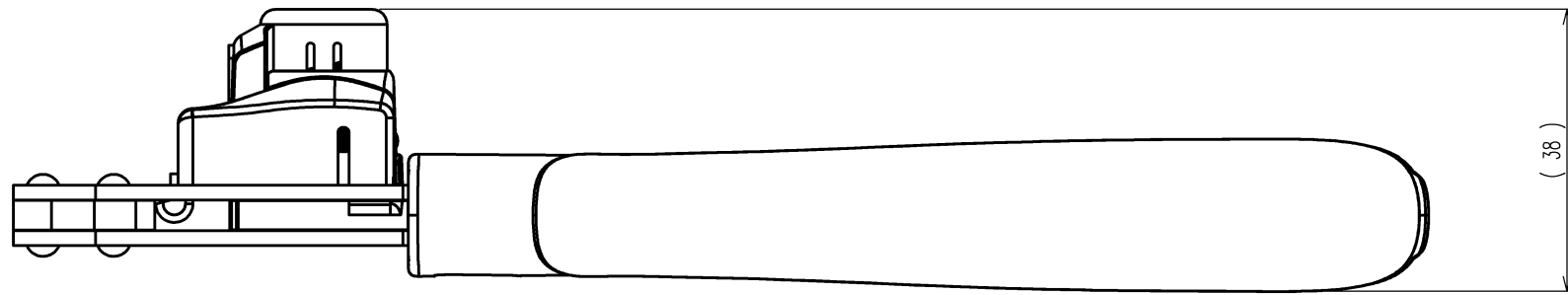
B

C

D

E

F



△ Notes 1. Contact of DF11-30SC(CL543-0606-3) and DF11-30SCA(CL543-0608-9) is assembled for this tool.

TO
PE

2			4		
1			3		
NO.	MATERIAL	FINISH, REMARKS	NO.	MATERIAL	FINISH, REMARKS
CODE NO.(OLD) CL			DRAWN	DESIGNED	CHECKED
			H.KUDO	M.TAKAHASHI	S.OIZUMI
			14.10.1	14.10.1	14.10.3
			APPROVED	RELEASED	
			T.ITO		
			14.10.3		
DRAWING NO.			PART NO.		
EDC-276311-00-00			HT801/DF11-30S		
SCALE			CODE NO.		
1 : 1			CL550-0408-8		
UNITS			1/1		
mm			HRS HIROSE ELECTRIC CO., LTD		

1 2 3 4 5 6 7 8