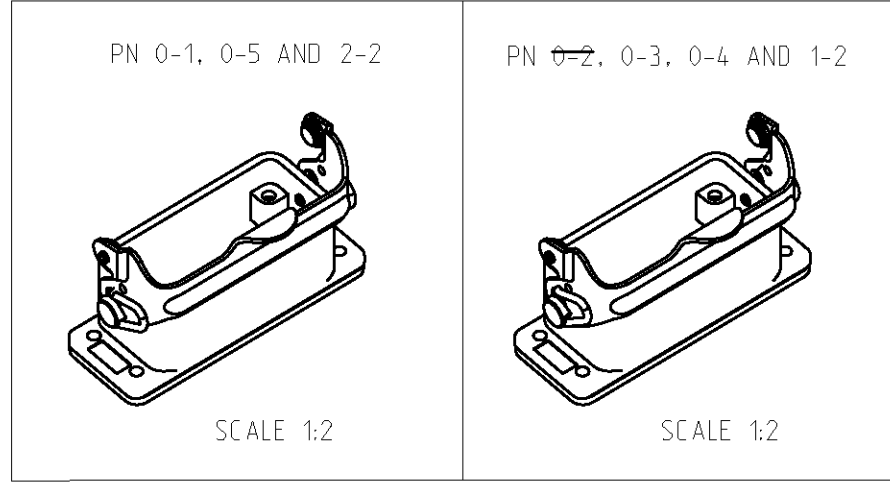
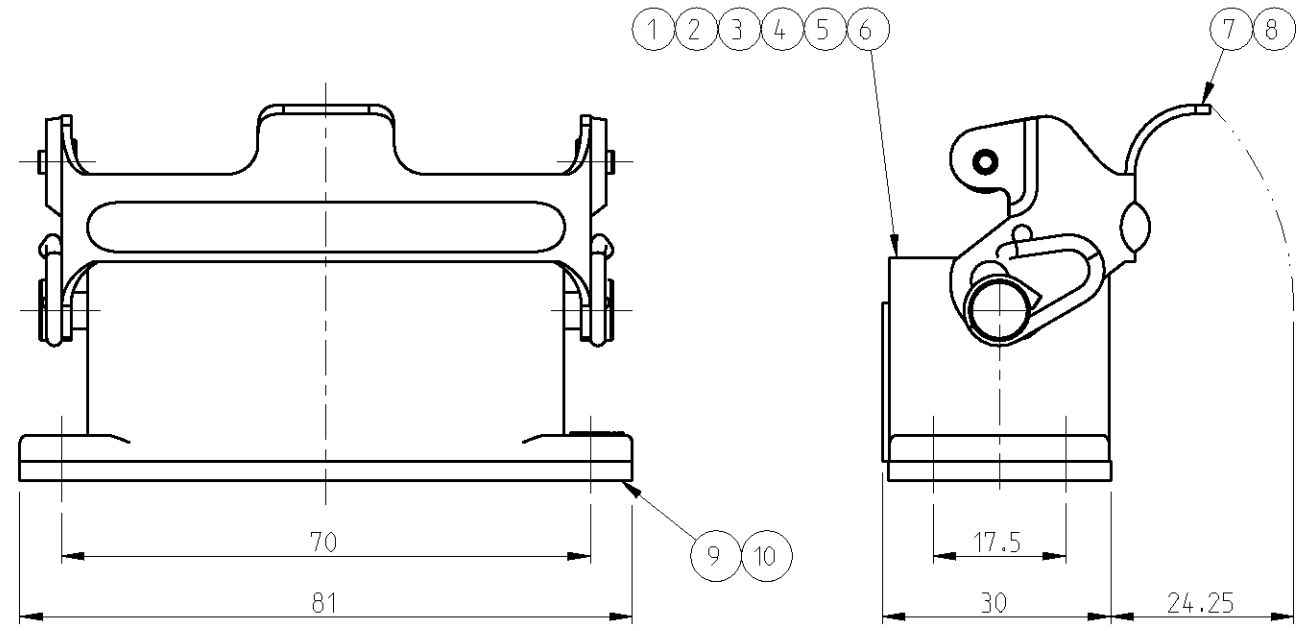


THIS DRAWING IS UNPUBLISHED. RELEASED FOR PUBLICATION 2000  
 © COPYRIGHT 2000 BY TYCO ELECTRONICS CORPORATION. ALL RIGHTS RESERVED.

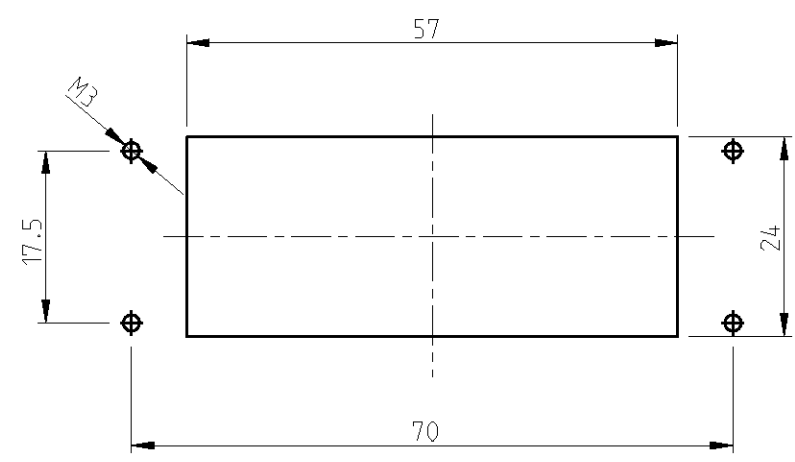
LOC	DIST	REVISIONS			
P	LTR	DESCRIPTION	DATE	DWN	APVD
A1	-	A6	RELEASED AS PER ECR-09-0001570	05.MAR.2009	GG TS
		A7	REVISED PER ECO-09-027197	19JAN10	KK HMR

- NOTES:
- 1 MATERIAL: SEE TABLE
  - 2 SURFACE: SEE TABLE
  - 3 VARNISH ON THE INSIDE NOT NECESSARY
  - 4 ChromITAL TCP - PASSIVATION
  - 5 **OBSOLETE PARTS: OBSOLETE CIS STREAMLINING PER D.RENAUD/D.SINISI**



PN 0-1 AS SHOWN

PANEL-CUTOUT



QTY	DESCRIPTION	MATERIAL	SURFACE	COLOR	ITEM NO	REMARKS	
-	FLANGE MOUNTED SEAL	NEOPRENE	CONDUCTIVE	BLACK	10		
1	FLANGE MOUNTED SEAL	NEOPRENE		BLACK	9		
1	LB- SIDE CLIP	STAINLESS STEEL			8		
-	LB- SIDE CLIP	STEEL	ZINC PLATED	BLUE	7		
-	SURFACE MOUNTED HOUSING, BOTTOM ENTRY	ALUMINIUM	HARD COAT	BLACK	6	∅3.7mm	
-	SURFACE MOUNTED HOUSING, BOTTOM ENTRY	ALUMINIUM	4		5		
-	SURFACE MOUNTED HOUSING, BOTTOM ENTRY	ALUMINIUM	HARD COAT	AL COLOR	4		
-	SURFACE MOUNTED HOUSING, BOTTOM ENTRY	ALUMINIUM		WITHOUT VARNISH	3		
1	SURFACE MOUNTED HOUSING, BOTTOM ENTRY	ALUMINIUM	ALUMINIUM OXIDE	BLACK RAL 9005	2		
-	SURFACE MOUNTED HOUSING, BOTTOM ENTRY	ALUMINIUM		GREY RAL 7001	1		
2-2	1-2	0-5	0-4	0-3	0-2	0-1	
ORDERING TEXT							
HA-K.10.AG-LB.S0							
HA.10.AG-LB.S0							
HA.10.AG-LB.KM							
HA-EMV.10.AG-LB							
HA-K.10.AG-LB							
HA.10.AG-LB							
HA-K.10.AG-LB							

THIS DRAWING IS A CONTROLLED DOCUMENT FOR TYCO ELECTRONICS CORPORATION. IT IS SUBJECT TO CHANGE AND THE CONTROLLING ENGINEERING ORGANIZATION SHOULD BE CONTACTED FOR THE LATEST REVISION.

DWN	SCHNEIDER	4/8/1999	Tyco Electronics Tyco Electronics.AMP.GmbH 53757.Sankt Augustin.Germany
CHK	SCHWEIGER	4/8/1999	
APVD	T.SCHNURPFEL	4/8/1999	
PRODUCT SPEC	NAME		
108-74009	SURFACE MOUNTED HOUSING, BOTTOM ENTRY		
APPLICATION SPEC	HA10.AG-LB		
114-74004	SIZE	CAGE CODE	DRAWING NO
WEIGHT	A3	00779	©=1102121
CUSTOMER DRAWING	SCALE 1:1		SHEET 1 OF 1
			REV A7

DIMENSIONS:	TOLERANCES UNLESS OTHERWISE SPECIFIED:
mm	0 PLC ±
	1 PLC ±
	2 PLC ±
	3 PLC ±
	4 PLC ±
MATERIAL	FINISH
1	2