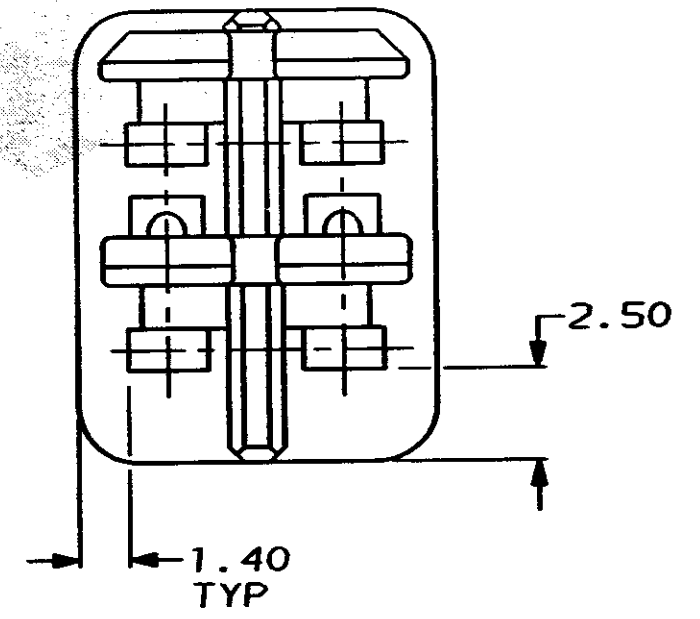
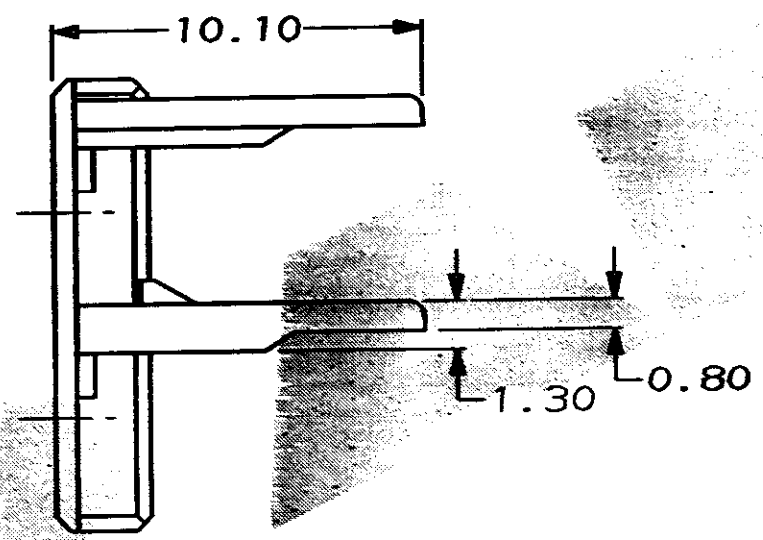
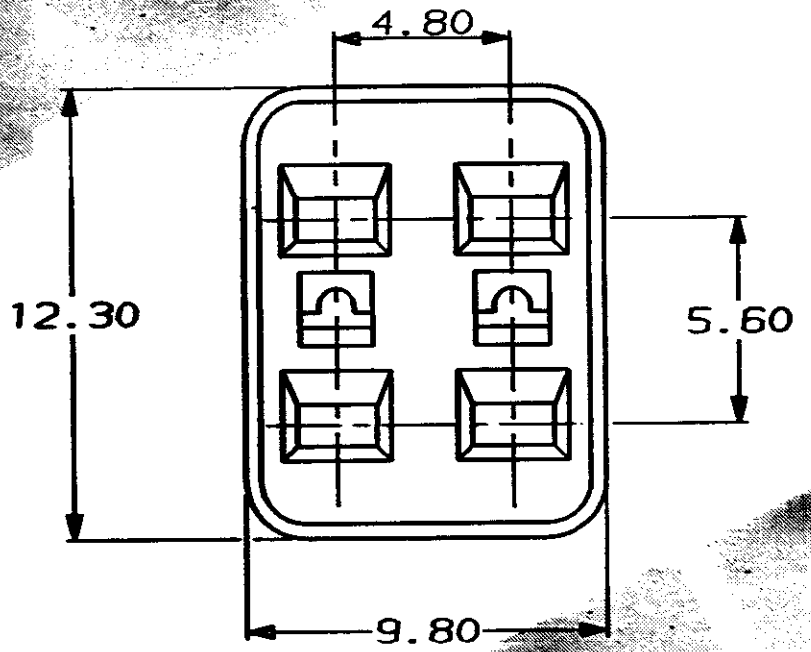
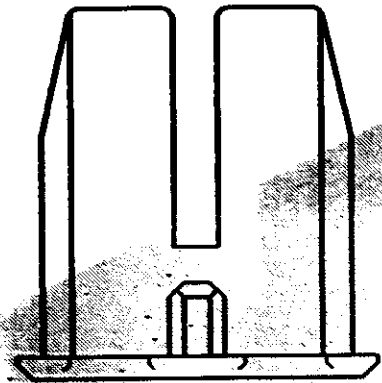
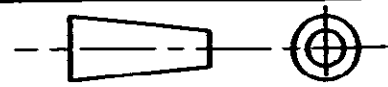


5. C345258.0

DO NOT SCALE

DIMENSIONS IN MM.



**NOTE**

THIS PART IS USED ON Pt.No. 344270-1

YELLOW		NYLON 66		345258-1	
COLOUR		MATERIAL		PART NUMBER	
CUSTOMER DWG FOR REFERENCE ONLY			©COPYRIGHT 1989 BY AMP OF GREAT BRITAIN LTD. ALL INTERNATIONAL RIGHTS RESERVED. ALL PRODUCTS MAY BE COVERED BY BRITISH AND FOREIGN PATENTS AND/OR PATENTS PENDING.		
TOLERANCES UNLESS OTHERWISE STATED :		DR. R. RUNAGALL.		05/12/89	
DEC ± 0.5		CH. D.R. TERRY.		APP. R. SIMMONS.	
ANGLES ± 1°		<b>AMP</b> of Great Britain Ltd.		TERMINAL HOUSE STANNORE NIDDX.	
NAME A/BACKOUT FOR 4 WAY REC. H5G. ECONOSEAL 3 LOW CURRENT					
0	REL. FOR PRODUCTION	C3580	10/02/90	SCALE	LOC
REV	APPROVED	ECN	DATE	5/1	E
				SIZE	DWG. No.
				A3	C345258
				REV	SHEET
				0	1/1