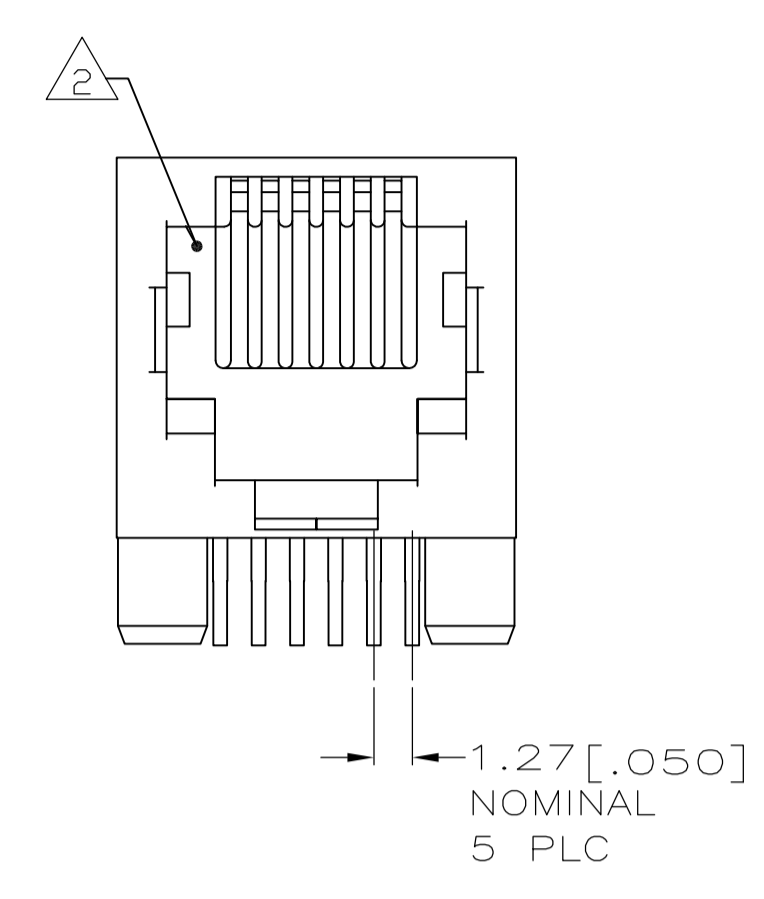
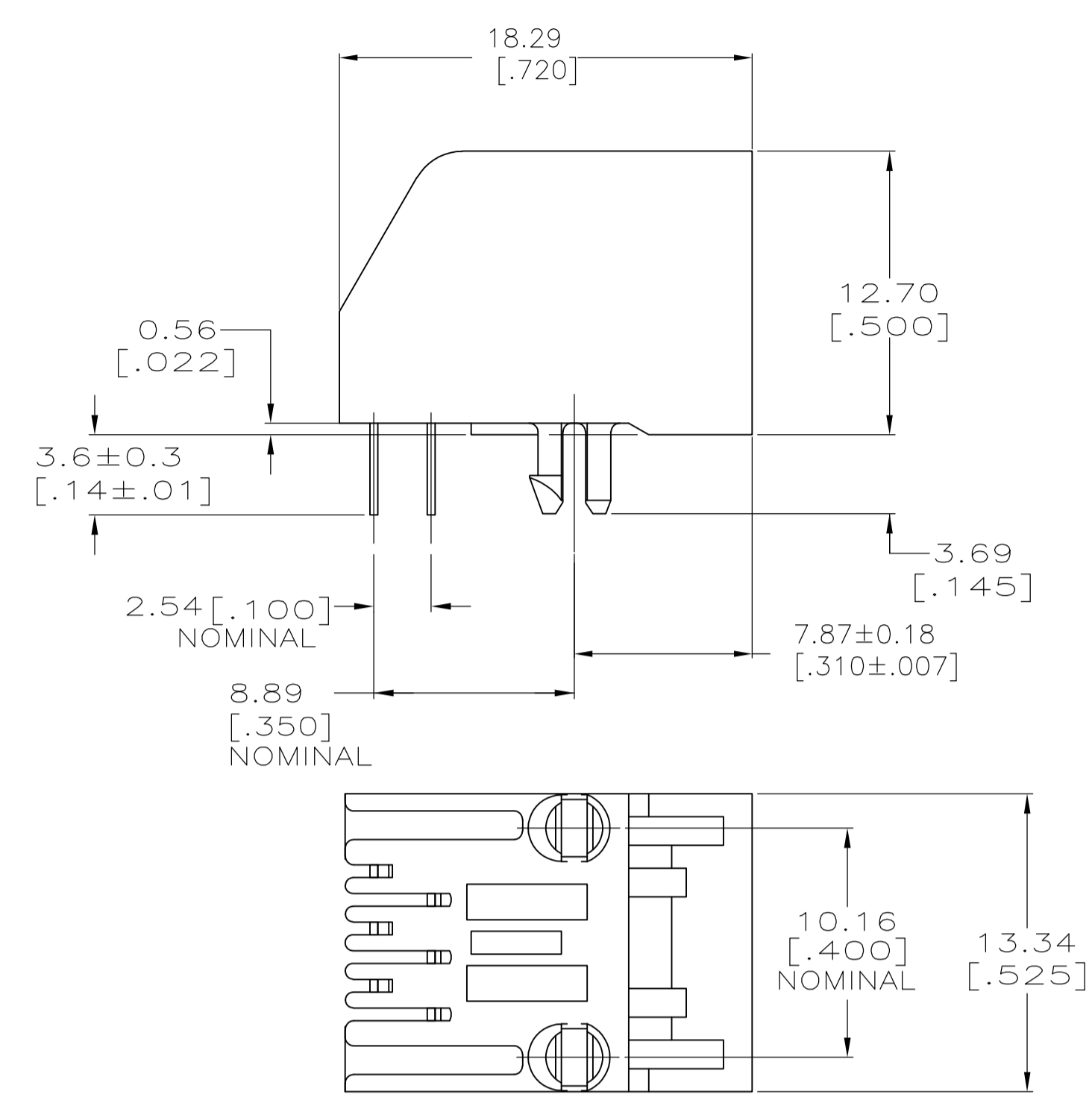
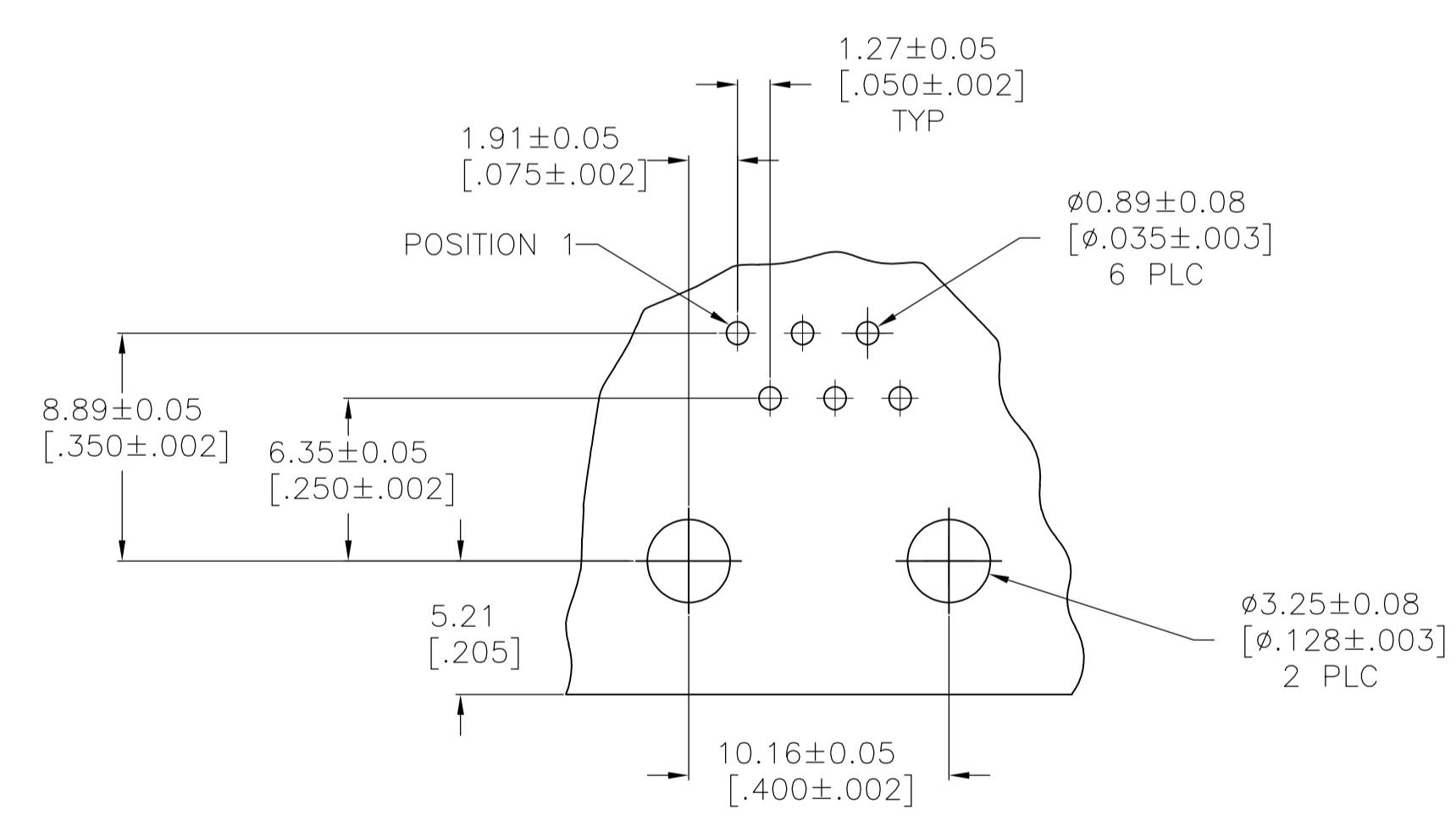


LOC		DIST		REVISIONS			
P	LTR	DESCRIPTION	DATE	DMN	APVD		
B		ECO-07-019669	27AUG2007	LAM	PR		



- MATERIAL: HOUSING - HTN MOLDING COMPOUND, 94V-0 RATED, COLOR: BLACK  
 TERMINAL - 0.36 [.014] THICK PHOSPHOROUS-BRONZE PLATED WITH 1.27 μm [.000050] MINIMUM THICK GOLD IN LOCALIZED GOLD PLATE AREA AND 3.81 μm [.000150] MINIMUM THICK MATTE TIN IN SOLDER AREA OVER 1.27 μm [.000050] MINIMUM THICK NICKEL UNDERPLATE.
- JACK CAVITY CONFORMS TO FCC RULES AND REGULATIONS PART 68, SUBPART F.
- DIMENSIONS ARE MAXIMUM UNLESS OTHERWISE SPECIFIED.
- BULK PACKAGED IN A TRAY.



RECOMMENDED PRINTED CIRCUIT BOARD COMPONENT SIDE

4	5569026-1
PACKAGED	PART NO

THIS DRAWING IS A CONTROLLED DOCUMENT.		DIN A FERNANDEZ-DOCKS 10JUN2005		Tyco Electronics Corporation	
DIMENSIONS: mm [INCHES]		CHK J. WESTMAN 10JUN2005		Tyco Electronics Corporation Harrisburg, PA 17105-3608	
TOLERANCES UNLESS OTHERWISE SPECIFIED:		APVD S. FLICKINGER 10JUN2005		NAME MODULAR JACK ASSEMBLY, 6 POSITION, LOW PROFILE, RIGHT ANGLE	
0 PLC ± -		PRODUCT SPEC 108-1163		SIZE CAGE CODE DRAWING NO RESTRICTED TO	
1 PLC ± -		APPLICATION SPEC 114-2048		A1 00779 5569026	
2 PLC ± -		WEIGHT -		SCALE 4:1 SHEET 1 OF 1 REV B	
3 PLC ± -		CUSTOMER DRAWING			
4 PLC ± -					
ANGLES ± ± -					
MATERIAL SEE NOTE 1		FINISH SEE NOTE 1			