

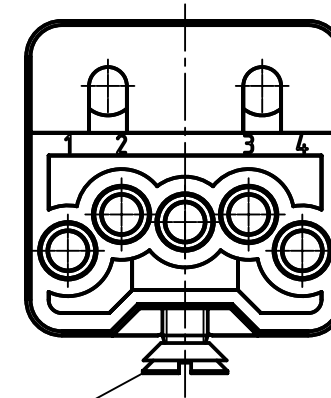
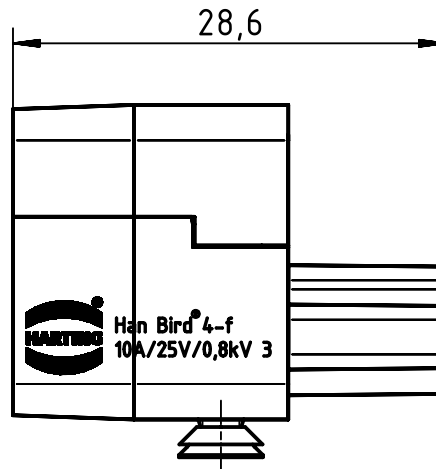
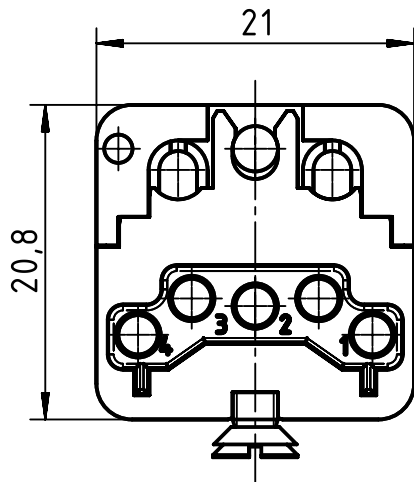
1 2 3 4 5 6

A

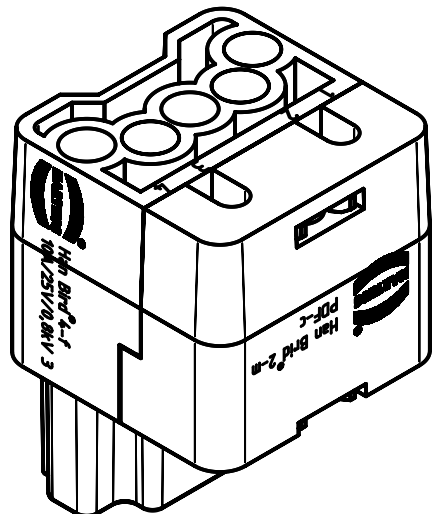
B

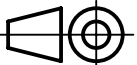

C

D



countersunk screw M3x6  
enclosed separately



 All Dimensions in mm Original Size DIN A4	Scale	Free size tol.			Ref.
	2:1				Sub.
 All rights reserved Department EL PD - DE	Created by	Inspected by	Standardisation	Date	State
	FINKEV	SCHNIEDER	TIEMANNA	2014-02-17	Final Release
HARTING Electric GmbH & Co. KG D-32339 Espelkamp	Title				Doc-Key / ECM-Nr.
	Han Brid-F w/o FOC-F				100205810/UGD/004/A 500000071208
Type		Number		Rev.	Page
TB		09 12 004 3111		A	1/1