

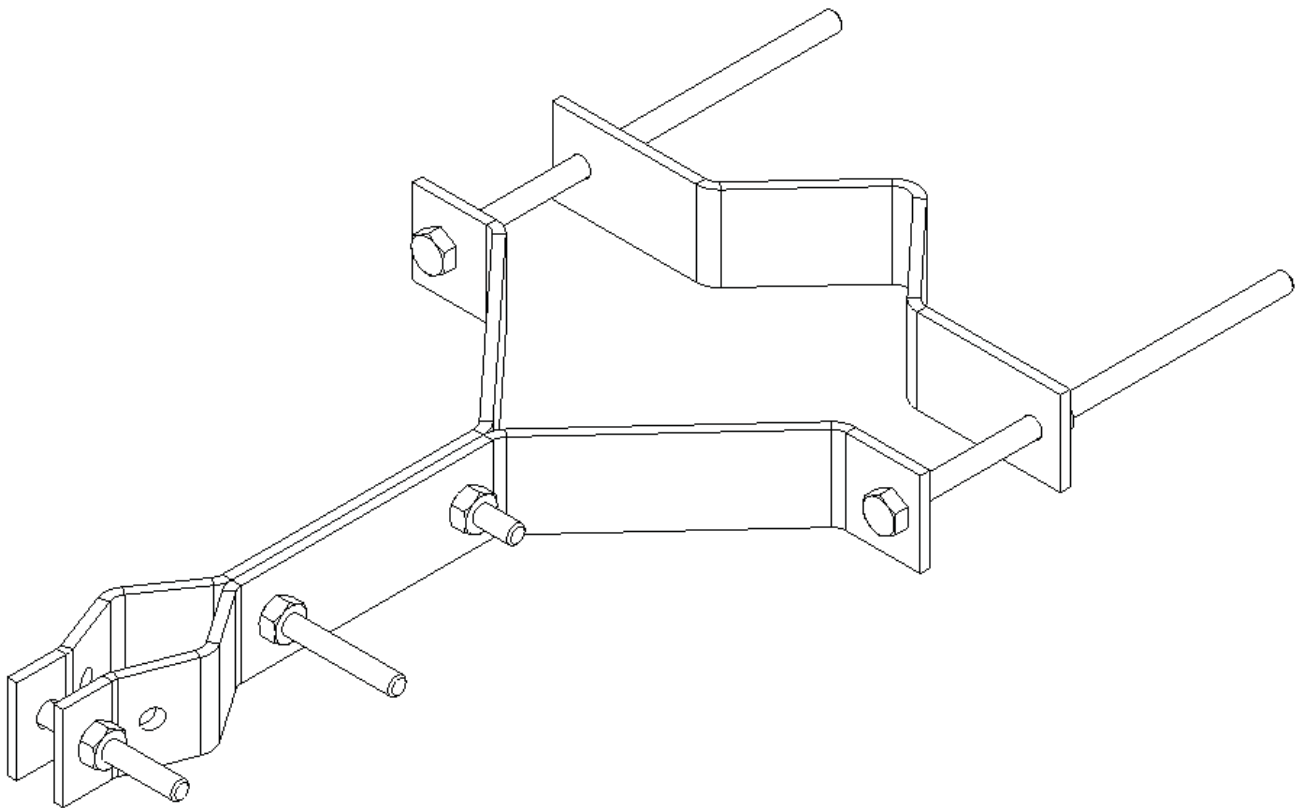
# **WMP**

**VIDEO MOUNT PRODUCTS**

*Instruction Sheet For:*

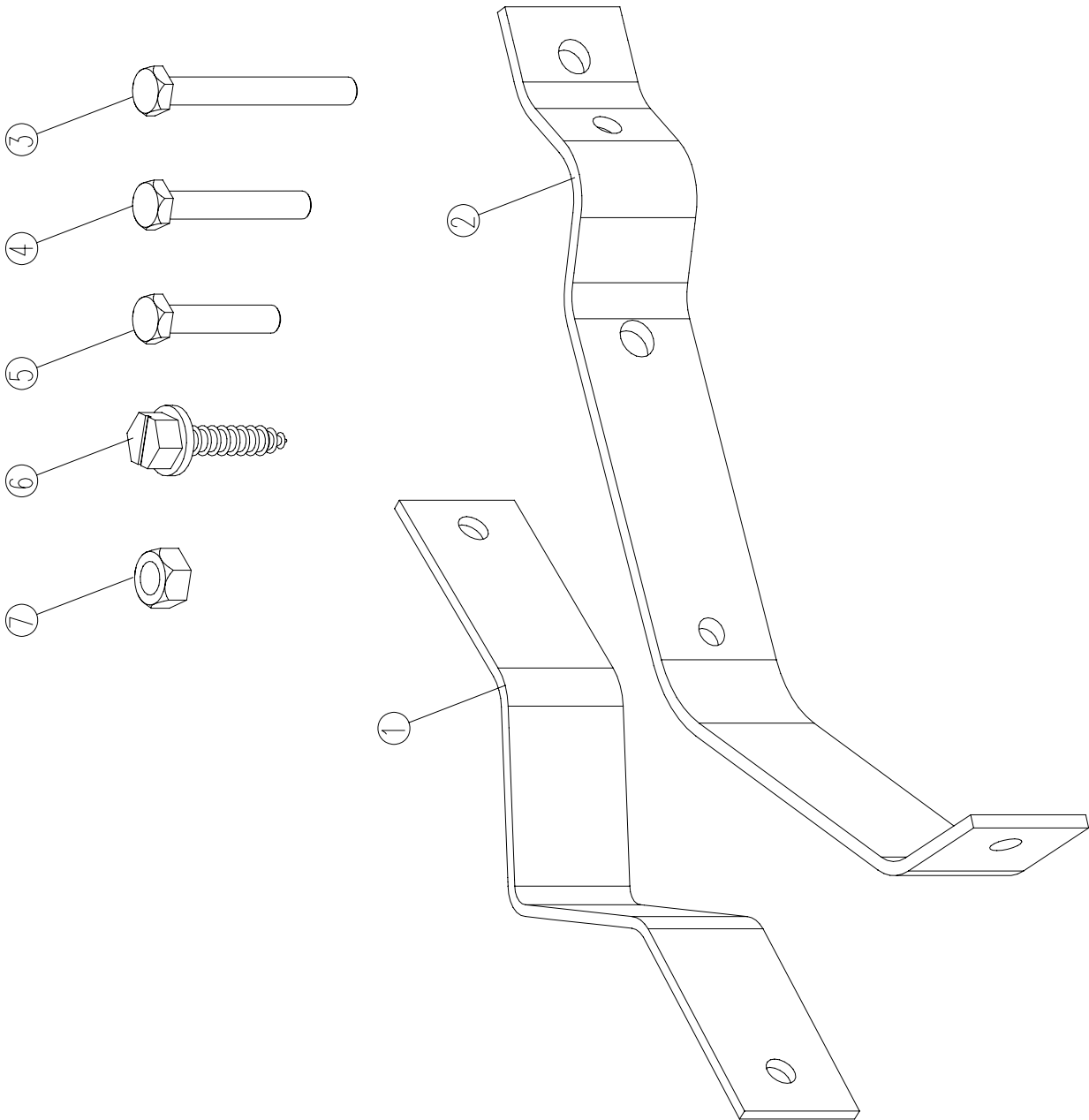
## **P-6**

---



---

*For more information, please contact us at:*  
345 Log Canoe Circle, Stevensville, Maryland 21666  
Toll Free: 877.281.2169 Phone: 410.643.6390 Fax: 410.643.6615  
[www.videomount.com](http://www.videomount.com)



\*\*\* P-6 \*\*\*

|   |                           |    |
|---|---------------------------|----|
| 1 | PLATE A                   | 2  |
| 2 | PLATE B                   | 4  |
| 3 | SCREW 1/4"*5-1/2"         | 4  |
| 4 | SCREW 1/4"*2"             | 4  |
| 5 | SCREW 1/4"*1"             | 2  |
| 6 | SCREW $\phi 6 \times L19$ | 2  |
| 7 | NUT 1/4"-20UNC            | 10 |

### Step 1

Before starting, lay out all parts to your mount and match them to the parts list provided. Verify that you have all your parts before attempting to assemble the mount. **Note: It is highly recommended that the installation of the mount be done by a professional.**

### Step 2

Create Y shapes by taking two Plate Bs (2) and using the 1" long screw (5) and 2" long screw (4) in the hole shown in the diagram with hex nuts (7).

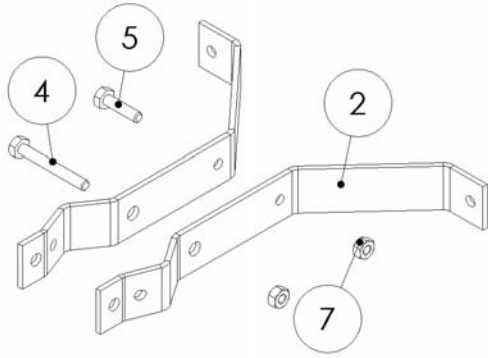
### Step 3

Attach the Y shapes to the vent pipe by pressing the V to the pipe and placing Plate A (1) on the back side of the vent pipe. Then use the 5 1/2" long screws (3) and hex nuts (7) to clamp the Y shapes and Plate As to the vent pipe. **Note: Place the other support as far away from the first support as possible to give the antenna mast more stability. WARNING: Please verify your mounting surface will support the combined weight of your mount, mounting hardware and antenna. If in doubt, please contact a professional installer.**

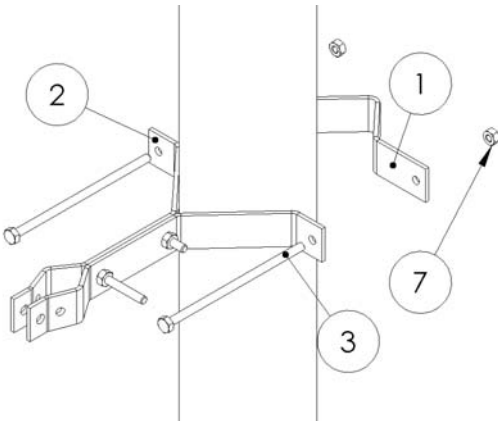
### Step 4

Insert the antenna mast into the open mouth on the Y shapes. Use the remaining 2" long screws (4) and hex nuts (7) to clamp the antenna mast in place.

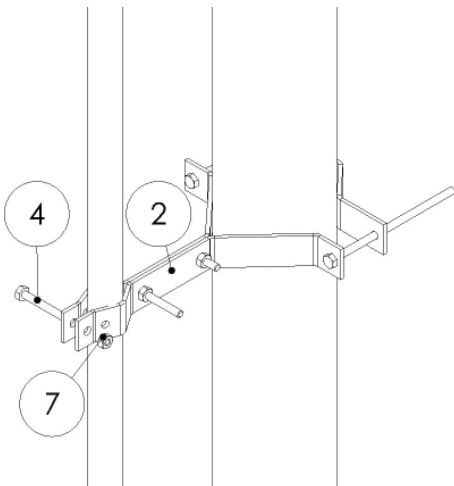
*Please verify that all nuts and screws are securely tightened.*



Step 2: Attaching the welded bracket to the top plate



Step 3: Attaching the top plate to the mounting surface



Step 4: Clamping the antenna mast in place

**WMP**  
VIDEO MOUNT PRODUCTS

**Enjoy Your Mount!**

**WARNING: The installer must verify the installation meets all applicable codes and survival requirements. Video Mount Products will not be held liable for the improper use or installation of its products.**