

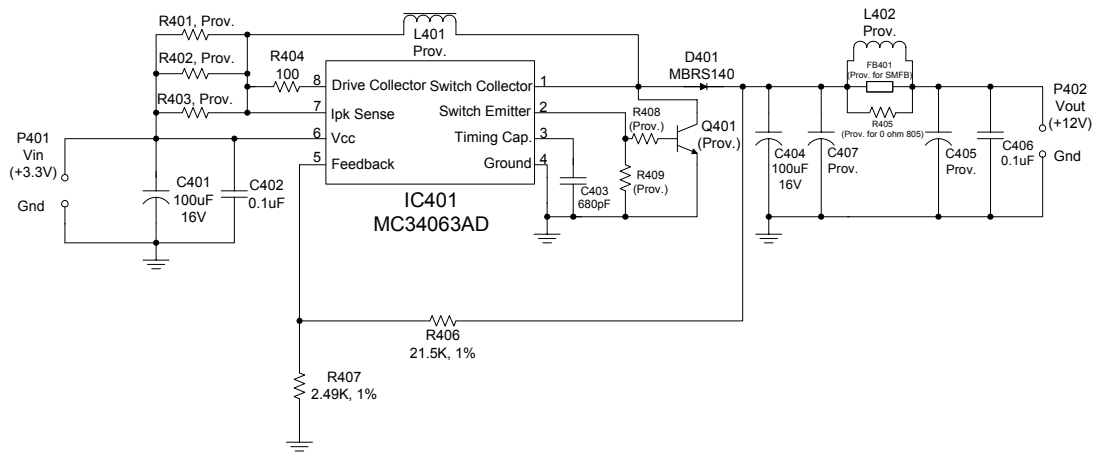
# Schematic for the MC34063 Boost SMD Demonstration Board

ON Semiconductor



9/9/2003

## MC34063 Evaluation Board Design Example Boost Regulator (3.3V to 12V@50mA/180mA)(SMD)



	Q401	L401	C407	R401	R402	R403	R408	R409
Low Current Applications	Out	100uH	Out	1.0	1.5	1.5	Out	"0" ohm resistor
High Current Applications	PZT651 SOT-223 Style 1	47uH	100uF	0.1	Out	Out	"0" ohm resistor	470