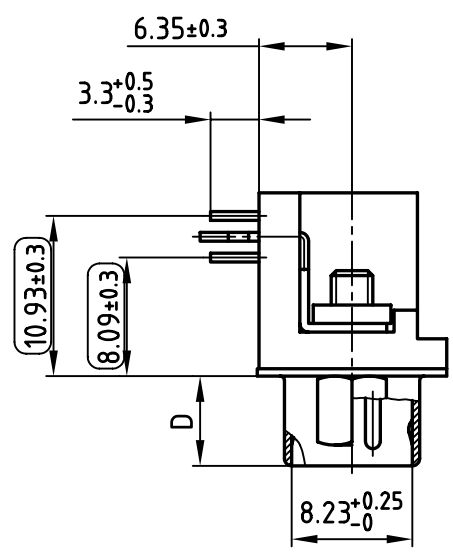
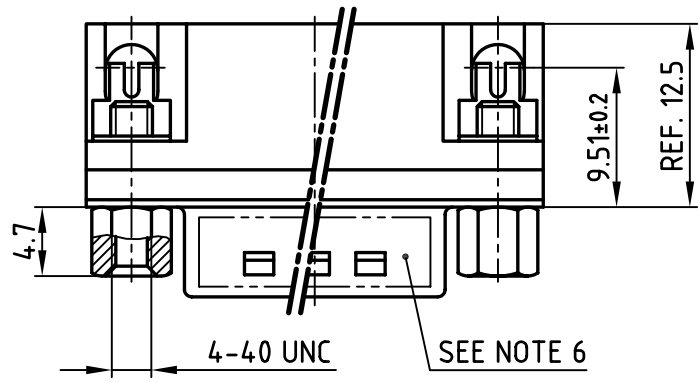
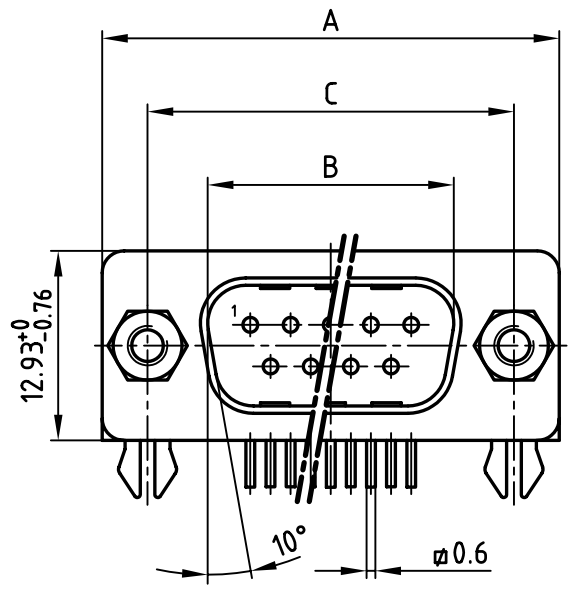


used for: D-SUB

POS.	A -0.76	B $+0.25$	C	D -0.3	PART-NO.
9	31.19	16.79	25.00 $+0.12$ -0.13	6.12	DLS1XP5AK40X
15	39.52	25.12	33.30 $+0.15$ -0.1	6.12	DLS2XP5AK40X
25	53.42	38.84	47.04 ± 0.13	5.99	DLS3XP5AK40X
37	69.70	55.30	63.50 ± 0.13	5.99	DLS4XP5AK40X



Directive 2002/95/EC
"RoHS"
Compliant

- NOTES:**
- METALSHELLS: STEEL; min. 320μ" TIN
 - INSULATORS: PA UL 94 V-0, BLACK
 - CONTACTS: COPPER ALLOY
PLATING: 8μ" HARD GOLD OVER min. 50μ" NICKEL
 - PCB-CLIP: COPPER ALLOY; min. 200μ" TIN over 80μ" NICKEL
PCB-HOLE: $\phi 3.1 \pm 0.1$; PCB THICKNESS 1.6mm
 - P.C.B. HOLE DRILLINGS SEE SHEET 2
 - CONNECTOR IS PART MARKED: PART-NO. CONEC ABC
 - = CHECK DIMENSION

APPROVAL # FREIGABE # DEBLOCAGE # AUTORIZACION # APPROVAL	
CUSTOMER APPROVAL DATE:	
NAME:	TITLE:
COMPANY NAME:	
APPROVAL # FREIGABE # DEBLOCAGE # AUTORIZACION # APPROVAL	

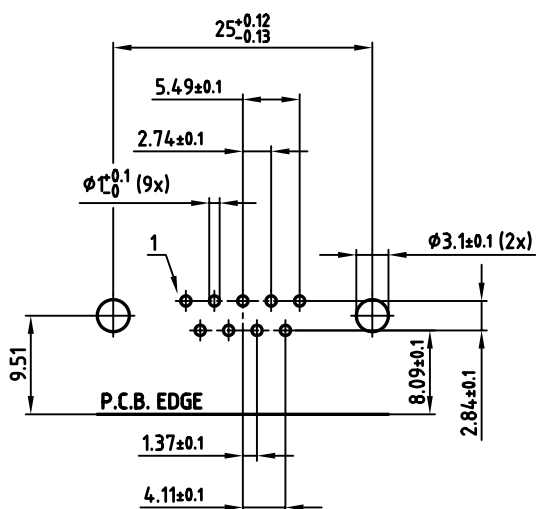
THIS DRAWING MAY NOT BE COPIED OR REPRODUCED IN ANY WAY, AND MAY NOT BE PASSED ON TO A THIRD PARTY WITHOUT WRITTEN PERMISSION. OWNERSHIP AND COPYRIGHT OF CONEC GmbH DO NOT ALTER CAD DRAWING BY HAND

tolerance	dim. in mm	
2005	date	name
drawn	27.06.	Lehmenkühler
appd.	27.06.	Kühle
norm	DIN 41652	
d-old		
rev.	description	date name

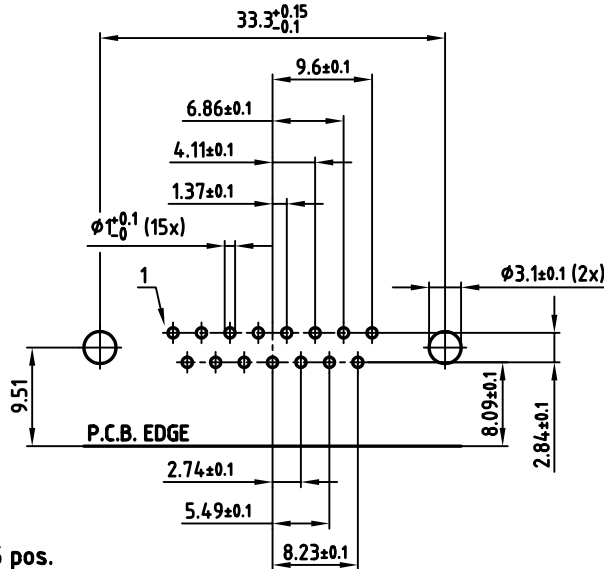


scale:	2:1	
material:	SEE NOTES	
title:	D-SUB MALE 90° 9-37pos. pin angled 0.318", stamped contacts with threaded lock and clip	
dwg no:	AutoCAD 2004	DIN-A
	16K1A1438	4
		sh:1/2
part no:	SEE TABLE	

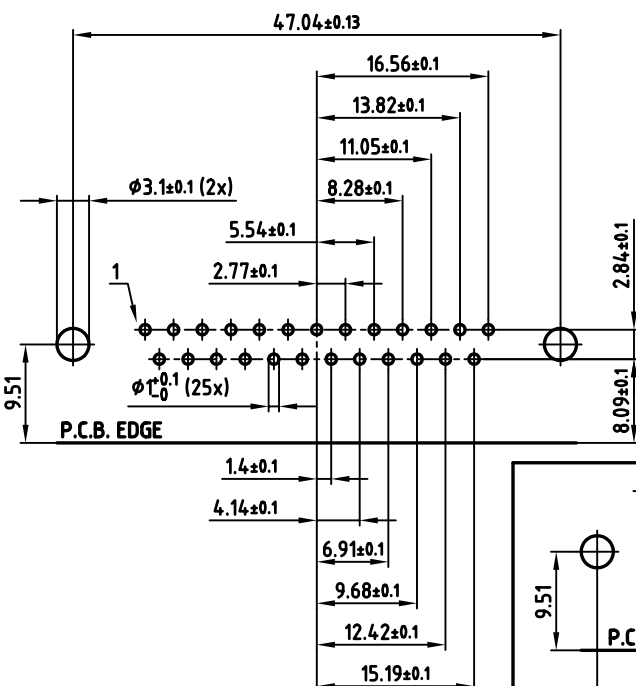
used for: D-SUB



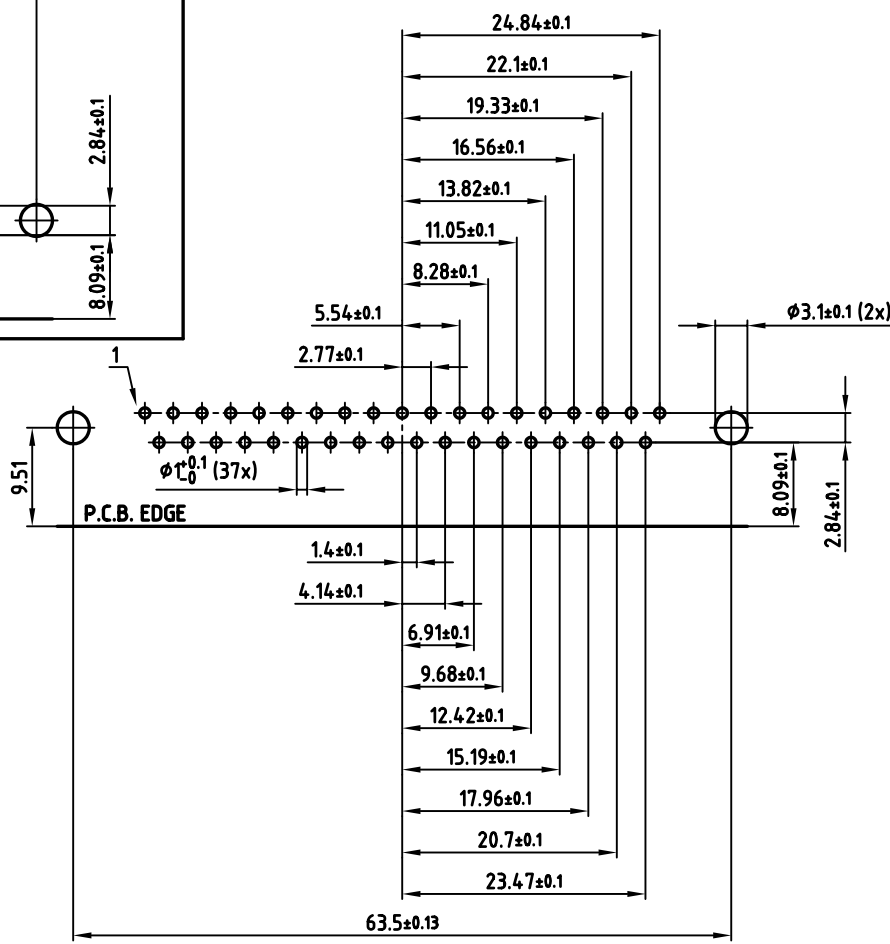
9 pos.



15 pos.



25 pos.



37 pos.

APPROVAL # FREIGABE # DEBLOCAGE # AUTORIZACION # APPROVAL

CUSTOMER APPROVAL DATE:

NAME: TITLE:

COMPANY NAME:

APPROVAL # FREIGABE # DEBLOCAGE # AUTORIZACION # APPROVAL

THIS DRAWING MAY NOT BE COPIED OR REPRODUCED IN ANY WAY, AND MAY NOT BE PASSED ON TO A THIRD PARTY, WITHOUT WRITTEN PERMISSION.

OWNERSHIP AND COPYRIGHT OF CONEC GmbH

DO NOT ALTER CAD DRAWING BY HAND

rev.	description	date	name

tolerance	± 0.1	dim. in mm
scale:	2:1	
material:	SEE SHEET 1	
title:	P.C.B. HOLE DRILLINGS	
	D-SUB MALE 90° 9-37pos. pin angled 0.318"	
	stamped contacts - with threaded lock and clip	
dwg no:	AutoCAD 2004	DIN-A
	16K1A1438	3
		sh:2/2
part no:	SEE SHEET 1	

2005	date	name
drawn	27.06.	Lehmenkühler
appd.	27.06.	Kühle
norm	DIN 41652	
d-old		



6

5

4

2

1