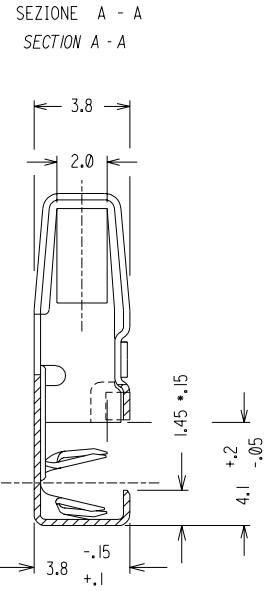
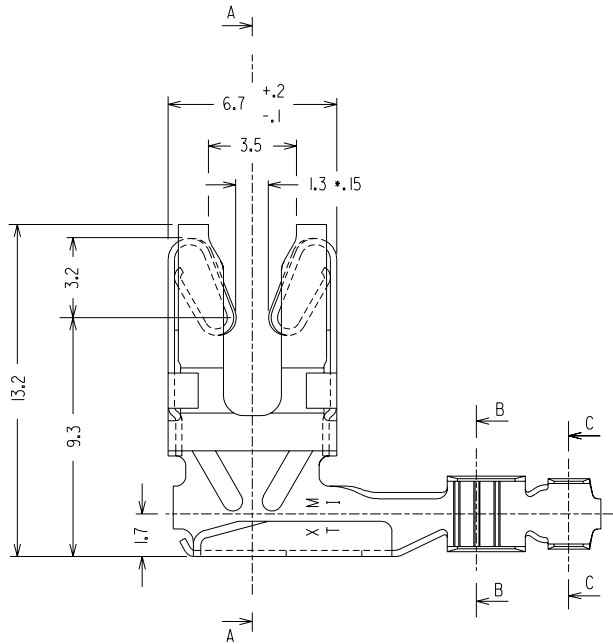
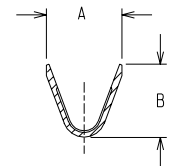


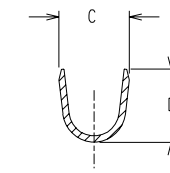
CODICE P/N	SEZ. CAVO WIRE SIZE	Ø ISOLANTE INS. RANGE	A	B	C	D
94510-1103	0.35 - 0.50	1.70 MAX	1.9	2.2	2.7	2.7
94510-1203	0.75 - 1.00	2.10 MAX	3.0	2.9	2.8	2.9



SEZIONE B - B  
SECTION B - B



SEZIONE C - C  
SECTION C - C



MATERIALE: BRONZO FOSFOROSO  
MATERIAL: PHOSPHOR BRONZE

FINITURA: PRESTAGNATO  
PLATING: PRE-TINNED

PASSO TRA CONTATTI ADIACENTI: 21.3 mm  
PITCH BETWEEN ADJACENT TERMINALS: 21.3 mm

SENDO DI SVOLGIMENTO DALLA BOBINA  
DEREELING DIRECTION

(N.° PEZZI PER BOBINA: 2700)  
(N. OF TERMINALS PER REEL: 2700)

ECN Z2-195  
20-11-92  
NEW RELEASE  
A LTR

DIMENSIONS SHOWN (METRIC) INCH	
UNLESS OTHERWISE SPECIFIED TOLERANCES: ANGULAR ±3°	
INCH	(METRIC)
3 PLACE ±	
2 PLACE ±	±
1 PLACE	± 0.2
DESIGN DIMENSION (PRIMARY)	□ (MM) □ IN
EQUIVALENT DIMENSION (SECONDARY)	□ (MM) □ IN.

DRWG BY  
Barbieri  
CHK'D BY  
APP'D BY  
Previato  
SCALE  
5:1

REVISE ONLY ON CAD SYSTEM		SH.	REV.
CAD/CAM FILENAME 9451016S	THIS DRAWING CONTAINS INFORMATION THAT IS PROPRIETARY TO MOLEX INC AND SHOULD NOT BE USED WITHOUT WRITTEN PERMISSION		
TITLE	CONTATTO A FORCELLA A 90° - SPESSORE NOM. DEL MASCHIO: 2.1 mm - R/A FORK TERMINAL - TAB SIZE: 2J mm -		
MOLLEX MOLEX INCORPORATED	SHEET NO. 1/1	DATE 18-07-90	
PART NO. VEDI TABELLA SEE TABLE	DWG NO. 94510 - IX03 SD	SIZE B	