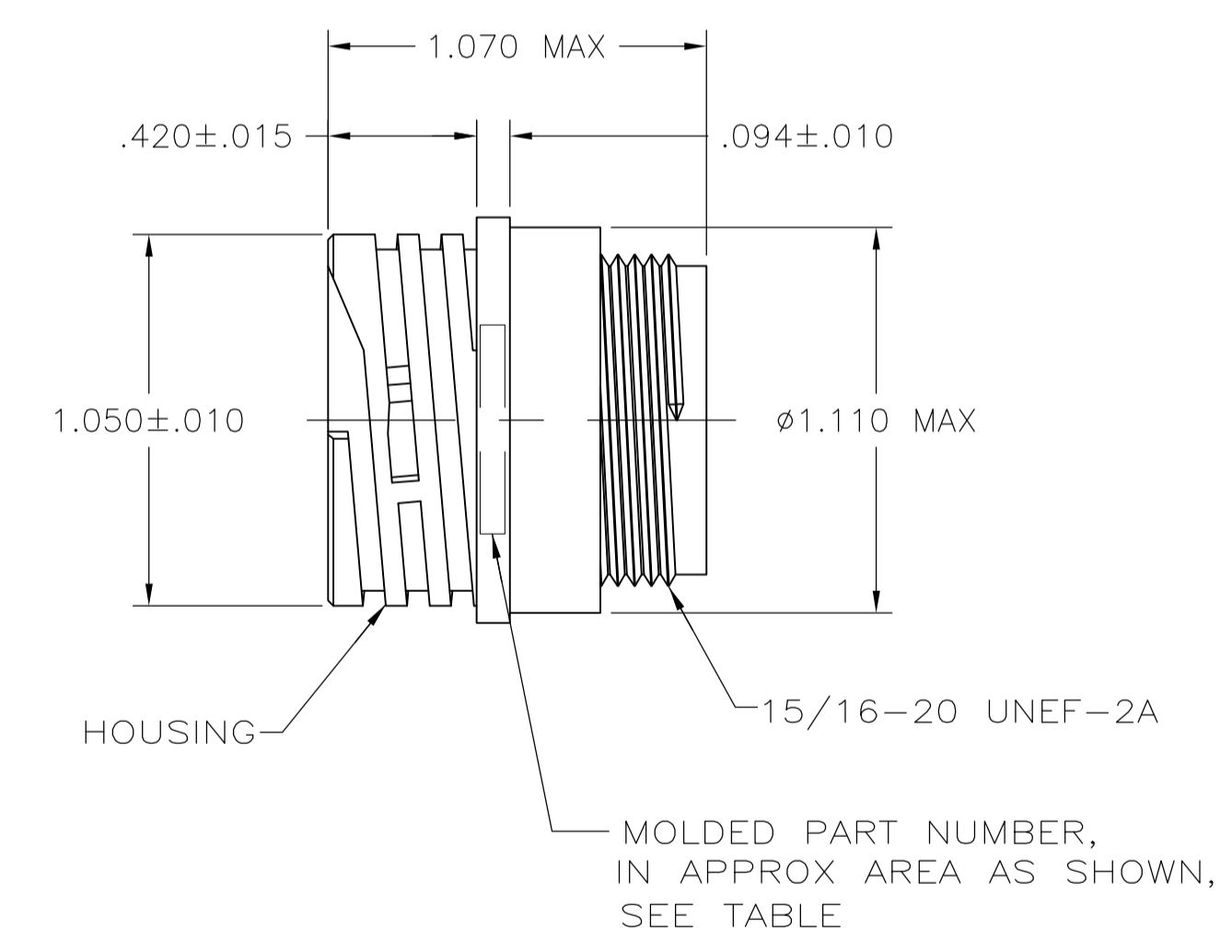
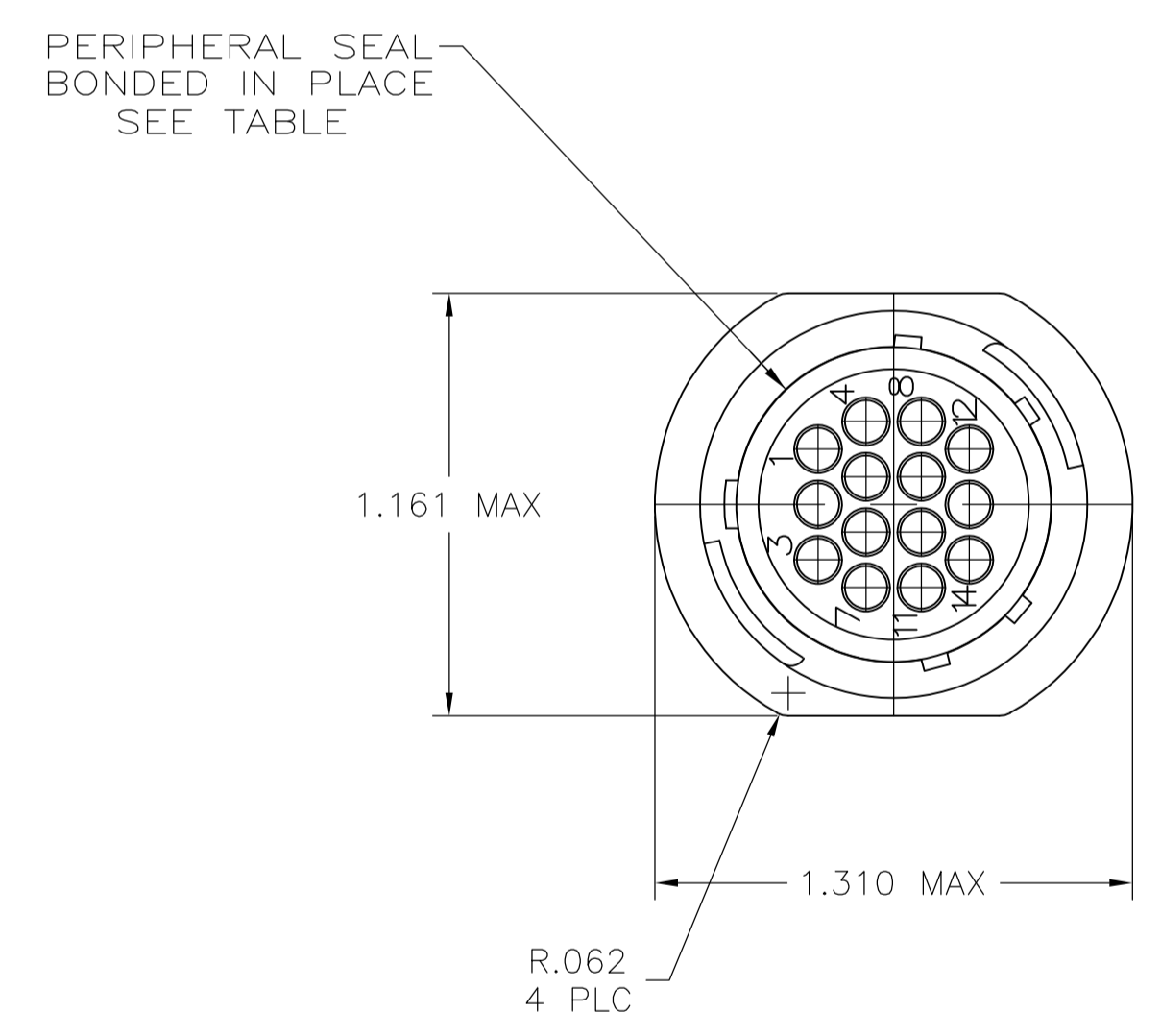


RECOMMENDED PANEL CUTOUT

DETAIL A



DETAIL B

- 1 CAVITY IDENTIFICATION ON FRONT AND REAR FACE.
- 2 WILL ACCEPT FOURTEEN (14) MULTIMATE SOCKET CONTACTS.
- 3 PRELIMINARY PART NUMBER.
- 4 OBSOLETE PARTS: OBSOLETE CIS STREAMLINING PER D.RENAUD/D.SINISI

3	4-40 THREADED INSERTS	-	STANDARD	YES	A	206043-8
4	Ø.150	-	SMALL PACK	NO	A	206043-6
	-	-	STANDARD	YES	B	206043-5
	Ø.150	-	STANDARD	YES	A	206043-4
	-	-	STANDARD	NO	B	206043-3
	Ø.150	206043-1	STANDARD	NO	A	206043-1
	DIM C	MOLDED PART NUMBER	PACKAGING	PERIPHERAL SEAL	SEE DETAIL	PART NO.

THIS DRAWING IS A CONTROLLED DOCUMENT.

DIMENSIONS: INCHES	TOLERANCES UNLESS OTHERWISE SPECIFIED:	DIN W. LENKER 09/10/92	CHK R. STONE 08/11/93	APVD	NAME
0 PLC ± -	1 PLC ± -	2 PLC ± 0.13 [.005]	3 PLC ± -	4 PLC ± -	ANGLES ± -
MATERIAL: HOUSING: NYLON BLACK	FINISH: -	SIZE: A1	CAGE CODE: 00779	DRAWING NO: C=206043	RESTRICTED TO: -
CUSTOMER DRAWING				SCALE: 2:1	SHEET 1 OF 1

**STE** TE Connectivity

RECEPTACLE ASSEMBLY, REVERSE SEX, SERIES 1, 17-14, CPC