

THIS DRAWING IS UNPUBLISHED. RELEASED FOR PUBLICATION NOV ,2005.
 © COPYRIGHT 2005 BY TYCO ELECTRONICS CORPORATION. ALL RIGHTS RESERVED.

LOC	DIST	REVISIONS			
P	LTR	DESCRIPTION	DATE	DWN	APVD
E	B	C	ECR-05-016219	23NOV05	JMS FWK
		D	ECR-08-022235	29AUG08	PK PB

NOTES:

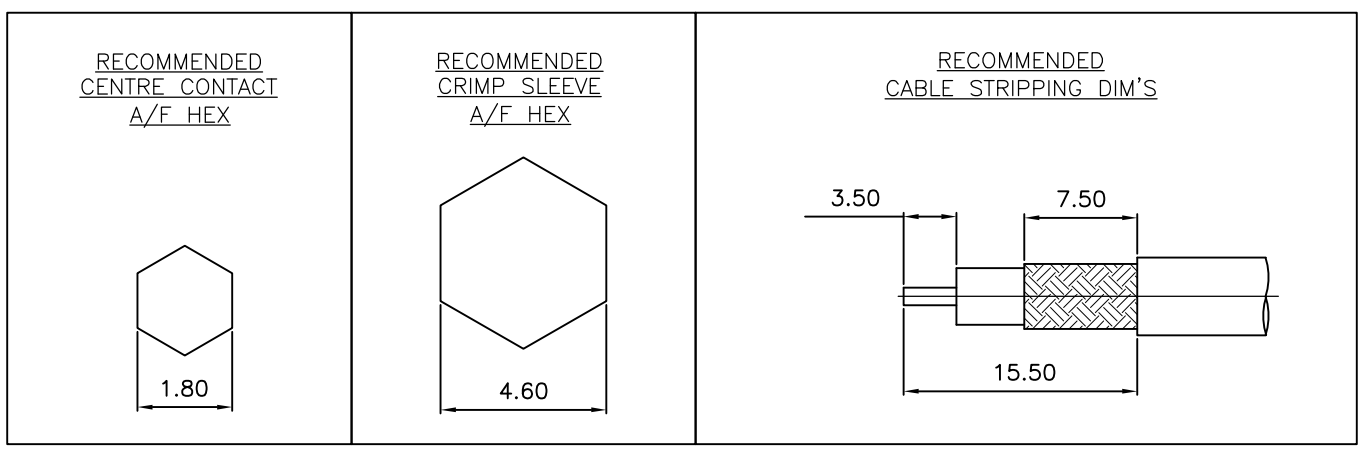
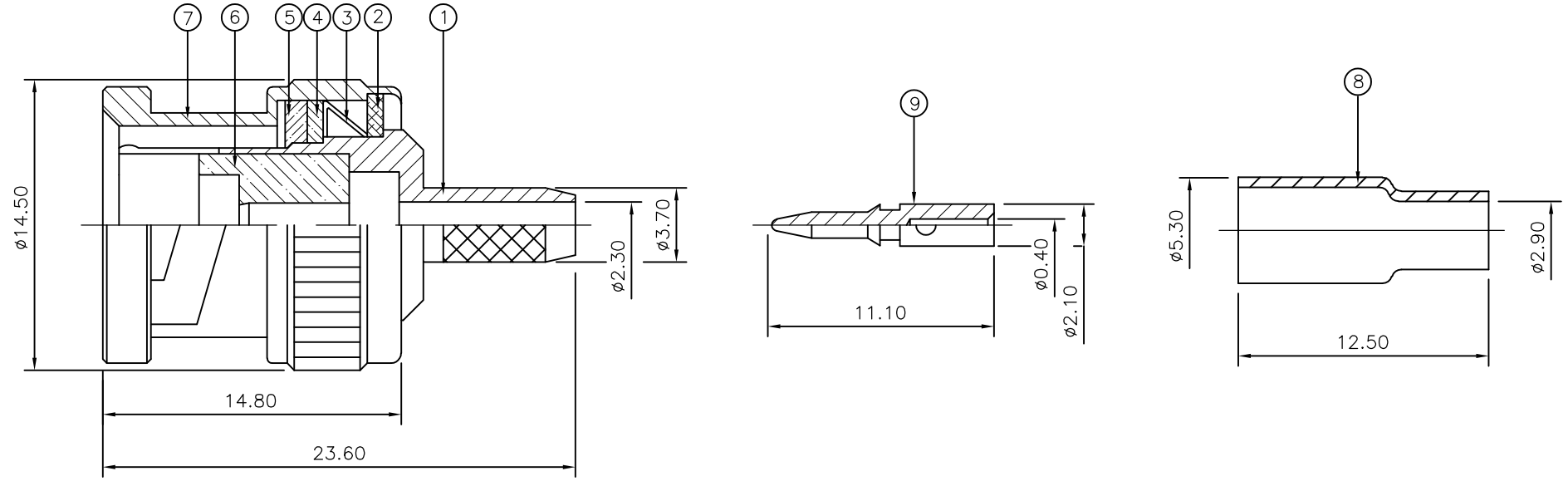
- 1 PACK IN ACCORDANCE WITH AMP SPEC 107-3275
- 2 100 TRAY PACK IN ACCORDANCE WITH AMP SPEC 107-3275
- 3 Ag PLATING
- 4 THIS ITEM MUST BE WHITE

- 5 HAND TOOL : 9-1478240-0
- 6 DIE SET : 9-1478245-0

7 ELECTRICAL CHARACTERISTICS	
FREQUENCY RANGE:	DC - 2 GHz
NOMINAL IMPEDANCE:	75 Ohm
INSULATION RESISTANCE:	5000 MOhm
WORKING VOLTAGE:	500 Volts RMS at Sea Level
DIELECTRIC WITHSTAND VOLTAGE:	1500 Volts RMS Max
CONTACT RESISTANCE:	
CENTRE CONTACT:	1.50 mOhm Max
OUTER CONTACT:	0.20 mOhm Max
VSWR @ 2GHz:	1.20:1 Max
INSERTION LOSS dB @ x 2 GHz:	0.20 Max

8 MECHANICAL CHARACTERISTICS	
COUPLING RETENTION FORCE:	445N Min
CABLE RETENTION FORCE:	85N Min
DURABILITY:	500 Cycles Min

9 ENVIRONMENTAL CHARACTERISTICS	
OPERATING TEMPERATURE:	-65 to +165 DegC



QTY	QTY	MATERIAL	NOTE	DESCRIPTION	ITEM
1	1	BRASS	3	CONTACT	9
1	1	BRASS	3	FERRULE	8
1	1	BRASS	3	SHELL	7
1	1	PTFE		INSULATION	6
1	1	SILICON RUBBER	4	GASKET	5
1	1	BRASS	3	WASHER	4
1	1	SPRING STEEL		SPRING	3
1	1	BRASS	3	WASHER	2
1	1	BRASS	3	BODY	1
6--0	1--0			MATERIAL	DESCRIPTION
					ITEM

THIS DRAWING IS A CONTROLLED DOCUMENT.		DWN	J.SANDWELL	23NOV05	Tyco Electronics Corporation Bideford EX39 4HE
DIMENSIONS: mm		CHK	S.PARLOW	23NOV05	
		APVD	F.WHEELER-KING	23NOV05	
TOLERANCES UNLESS OTHERWISE SPECIFIED:		PRODUCT SPEC	108-3435		
MATERIAL: SEE TABLE		APPLICATION SPEC	411-3247		NAME: BNC STRAIGHT PLUG CRIMP 75 OHM RG179B/U, 187A/U, URM111
FINISH: -		WEIGHT: -			SIZE: A3
		CUSTOMER DRAWING			CAGE CODE: 00779
					DRAWING NO: 1337432
					RESTRICTED TO: -
					SCALE: NTS
					SHEET: 1 OF 1
					REV: D