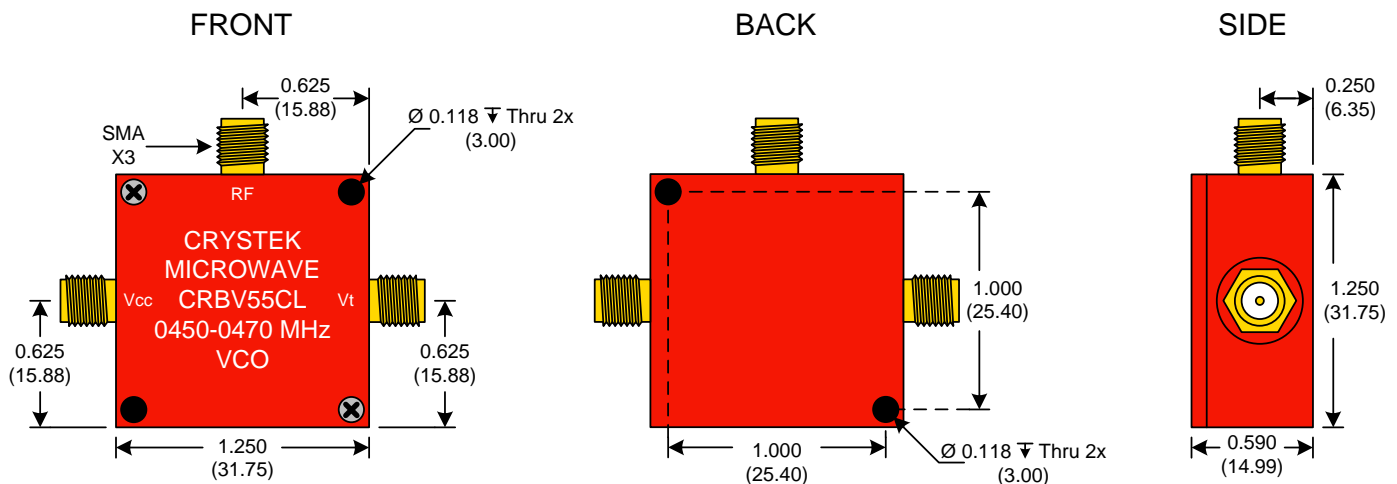




| PERFORMANCE SPECIFICATION | MIN | TYP | MAX | UNITS |
|---|------|------|------|--------------------|
| Lower Frequency: | | | 450 | MHz |
| Upper Frequency: | 470 | | | MHz |
| Tuning Voltage: | 1.5 | | 3.5 | VDC |
| Supply Voltage: | 4.75 | 5.0 | 5.25 | VDC |
| Output Power: | -4.0 | 0 | +4.0 | dBm |
| Supply Current: | | 16 | 25 | mA |
| Harmonic Suppression (2 nd Harmonic) | | -15 | -10 | dBc |
| Pushing: | | 0.5 | 2.0 | MHz/V |
| Pulling, all Phases: | | 0.5 | 2.0 | MHz pk-pk |
| Tuning Sensitivity: | | 20 | | MHz/V |
| Phase Noise @ 10kHz offset: | | -110 | | dBc/Hz |
| Phase Noise @ 100kHz offset: | | -133 | | dBc/Hz |
| Load Impedance: | | 50 | | Ω |
| Input Capacitance: | | | 100 | pF |
| Operating Temperature Range: | -40 | | +85 | $^{\circ}\text{C}$ |
| Storage Temperature Range: | -45 | | +90 | $^{\circ}\text{C}$ |



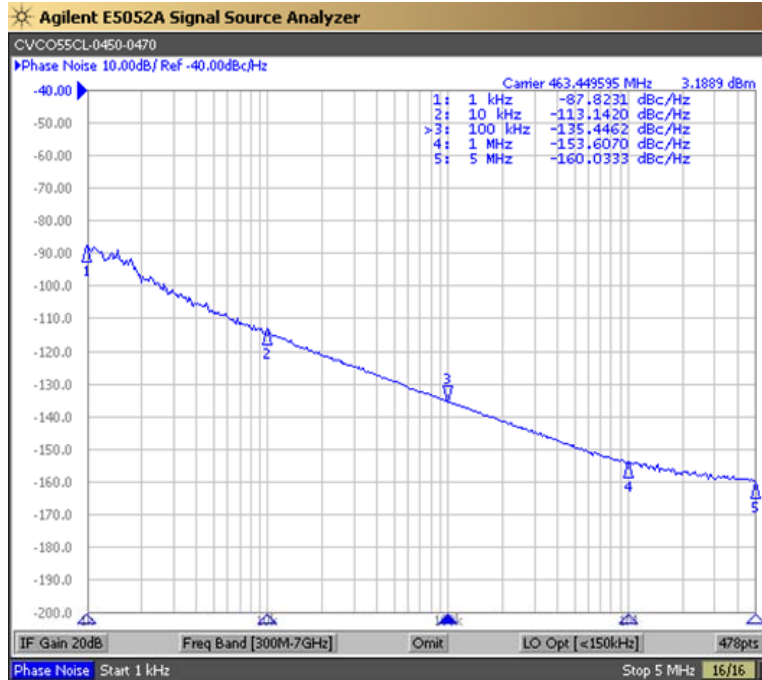
● Unless otherwise specified, Dimensions are in: $\frac{\text{IN}}{\text{(mm)}}$

Product Control:

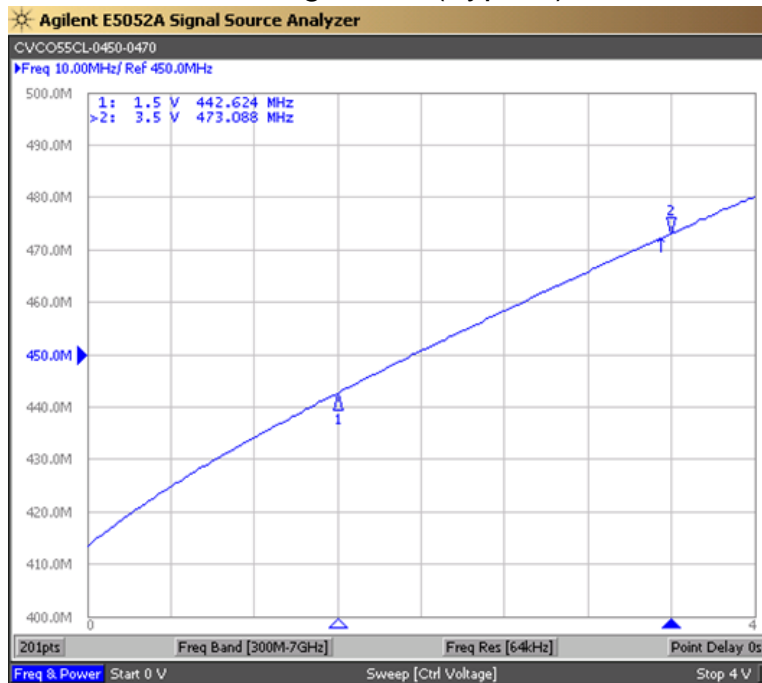
| | | | |
|----------------------|--------------------|---------------|-----------|
| Crystek Part Number: | CRBV55CL-0450-0470 | Release Date: | 02-Feb-09 |
| Revision Level: | C | Responsible: | C. Vales |



Phase Noise (1 Hz BW, Typical)



Tuning Curve (Typical)



Product Control:

| | | | |
|----------------------|--------------------|---------------|-----------|
| Crystek Part Number: | CRBV55CL-0450-0470 | Release Date: | 02-Feb-09 |
| Revision Level: | C | Responsible: | C. Vales |

Specification is subject to change without notice

