

**Technical specification:**

Rated voltage: 30 V  
IEC 61076-2-101

Current rating: 2 A at 40°C  
IEC 61076-2-101

Insulation resistance: >=100 MΩ  
IEC 60512

Pollution degree: 3/2  
IEC 60664-1

Degree of protection: IP 67, in mated condition  
IEC 60529

Temperature range: -30°C ... +130°C  
EN 60512-11-10  
-40°C ... +130°C  
EN 60512-11-4  
UL 2238  
-30°C ... +130°C

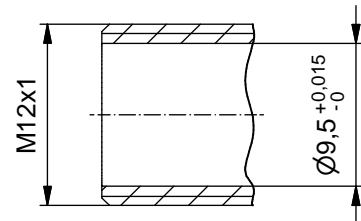
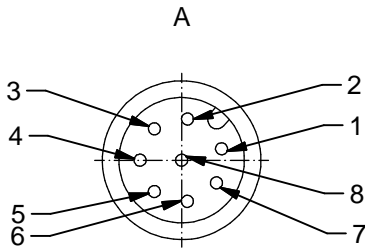
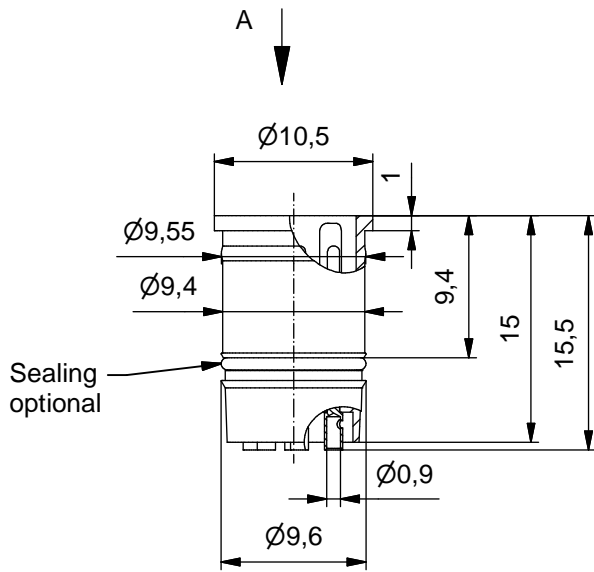
Mating cycles: >=100  
IEC 60512-9a

**Materials:**

Contact: CuZn, Ni b / Au 0,2 gal.

Contact carrier: PA GF, UL 94 V-0 like RAL9005

Sealing: FPM

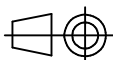


Part no:	Description:	Pos	Construction:
43-01637	SAL - 12 - ES8 - L	8	without sealing
43-01638	SAL - 12 - ESO8 - L	8	with sealing

DO NOT ALTER CAD DRAWING BY HAND

RoHS & REACH compliant

Index: d 11.06.15 fro Ä5678  
UL adaptation



dim.  
in mm



title:

Panel plug M12x1  
with soldering version

	date	name
drawn	30.09.10	Franz
appd.	30.09.10	Mankopf

dwg no:

43K1A1176

general tolerance: 0 ± 0,50mm  
0,0 ± 0,25mm  
0,00 ± 0,10mm  
\* ± 1,5°



THIS DRAWING MAY NOT BE COPIED OR REPRODUCED IN ANY WAY, AND MAY NOT BE PASSED ON TO A THIRD PARTY WITHOUT WRITTEN PERMISSION. OWNERSHIP AND COPYRIGHT OF CONEC GmbH

part no: