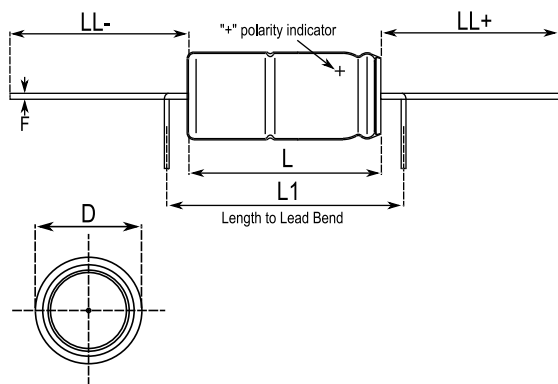


KEMET Part Number: PEG226MG3370Q
(A231KP371Q063A, PEG226MG3370QE1)

Capacitor, aluminum, 370 uF, -10/+30% Tol



Dimensions (mm)		
Symbol	Dimension	Tolerance
D	16	+/-0.5
L	34.5	+/-1
L1	41	MIN
LLPos	42	+/-2
LLNeg	42	+/-2
F	0.8	+/-0.03

Packaging Specifications	
Package Kind:	Bulk
Package Quantity:	100

General Information	
Supplier:	KEMET
Part Type Description:	Axial Cylindrical Aluminum Electrolytic
Style:	Axial Cylindrical

Specifications	
Capacitance:	370 uF
Voltage @ rated temp:	63VDC
Rated Temperature:	125° C
Tolerance:	-10/+30%
Life @ rated temp:	3000 Hrs
RoHS:	Yes
Low Z/ESR:	Yes
Temperature Range:	-40/+150C
Lead Type:	Wire Leads
ESR at 100Hz @ room temp:	155 mOhm
ESR at 100kHz @ room temp:	37 mOhm
Leakage Current:	69.93 uA
Leakage Condition:	5min/20c
Ripple 10kHz @ rated temp:	5.1 A