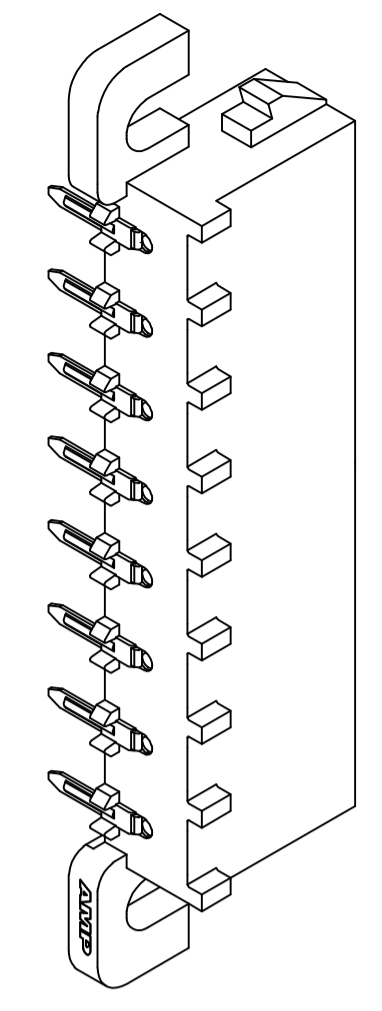
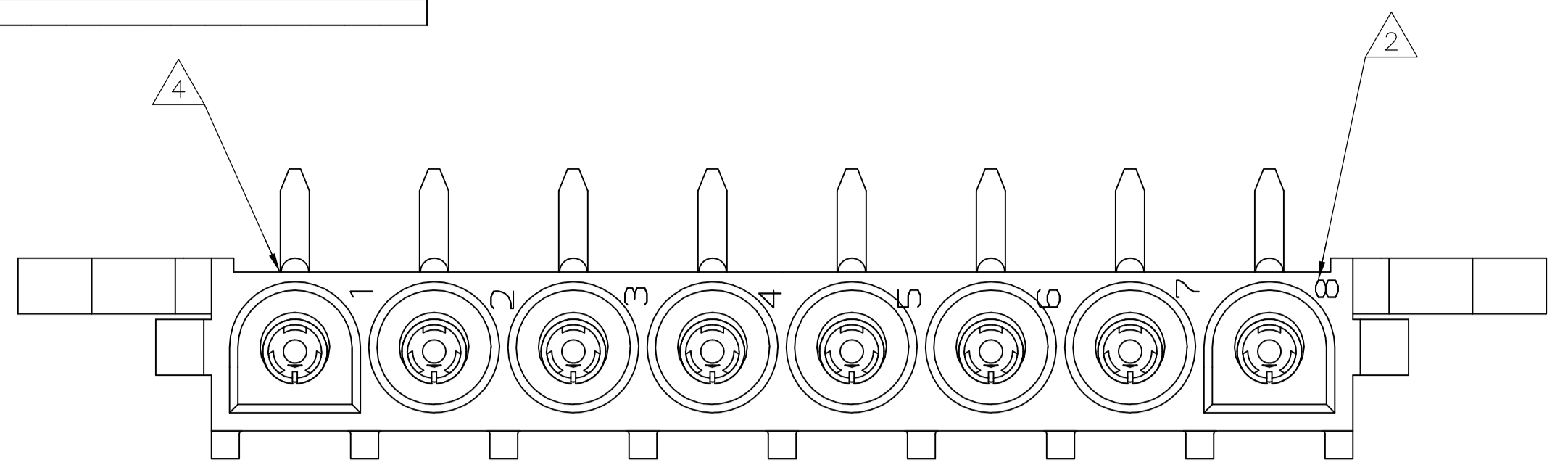
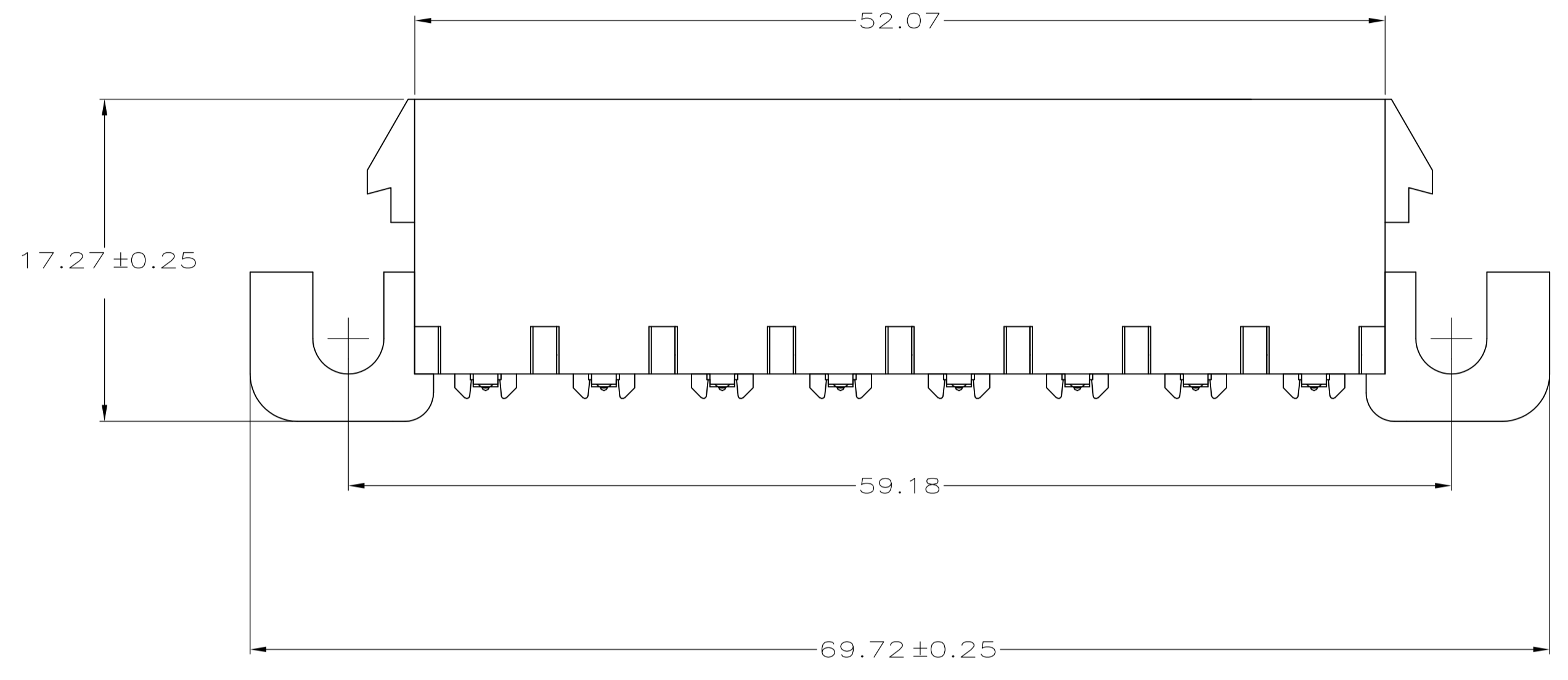


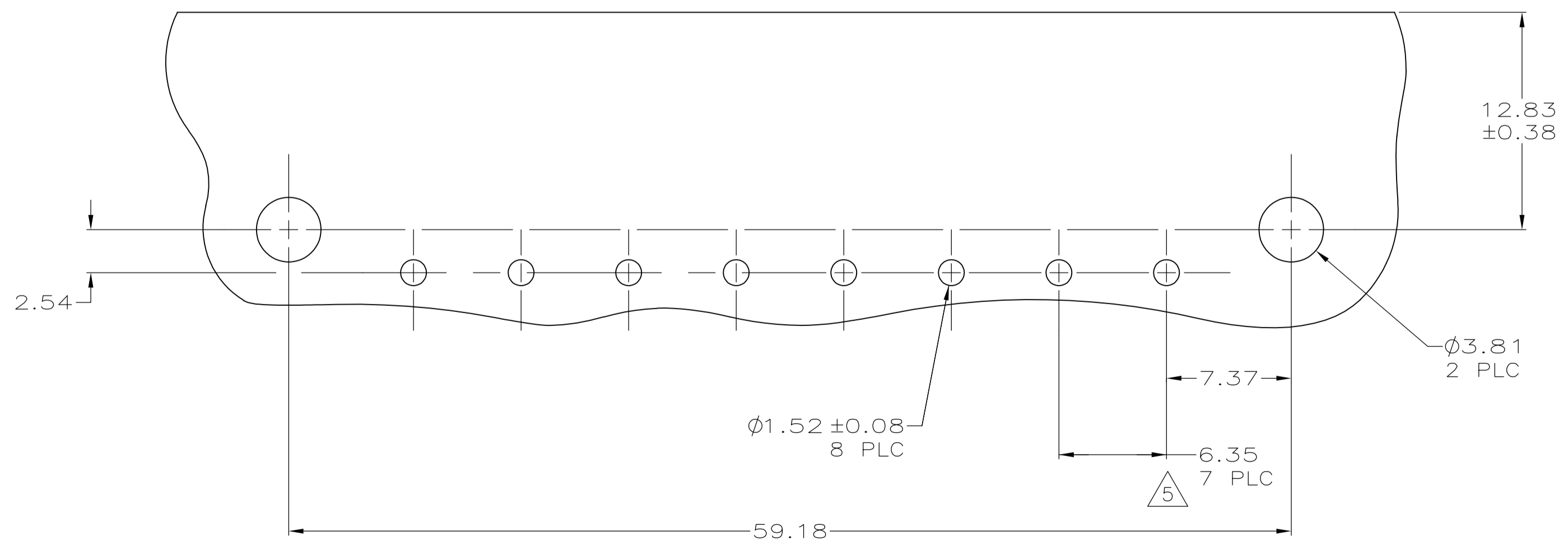
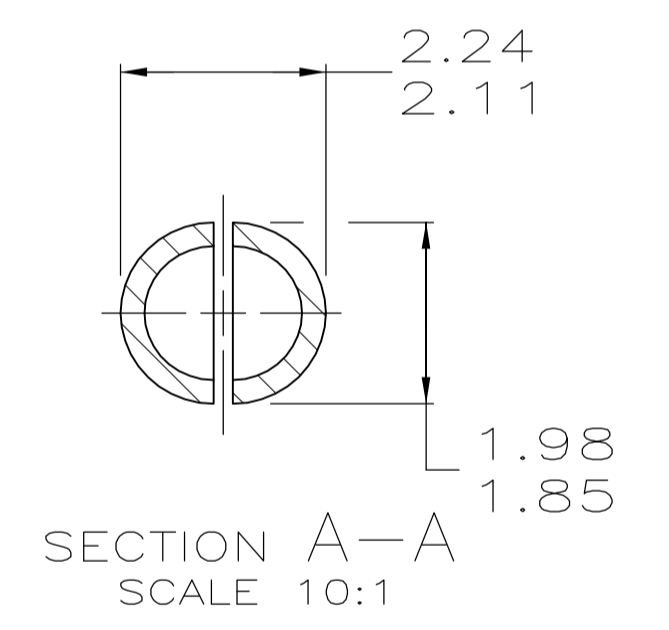
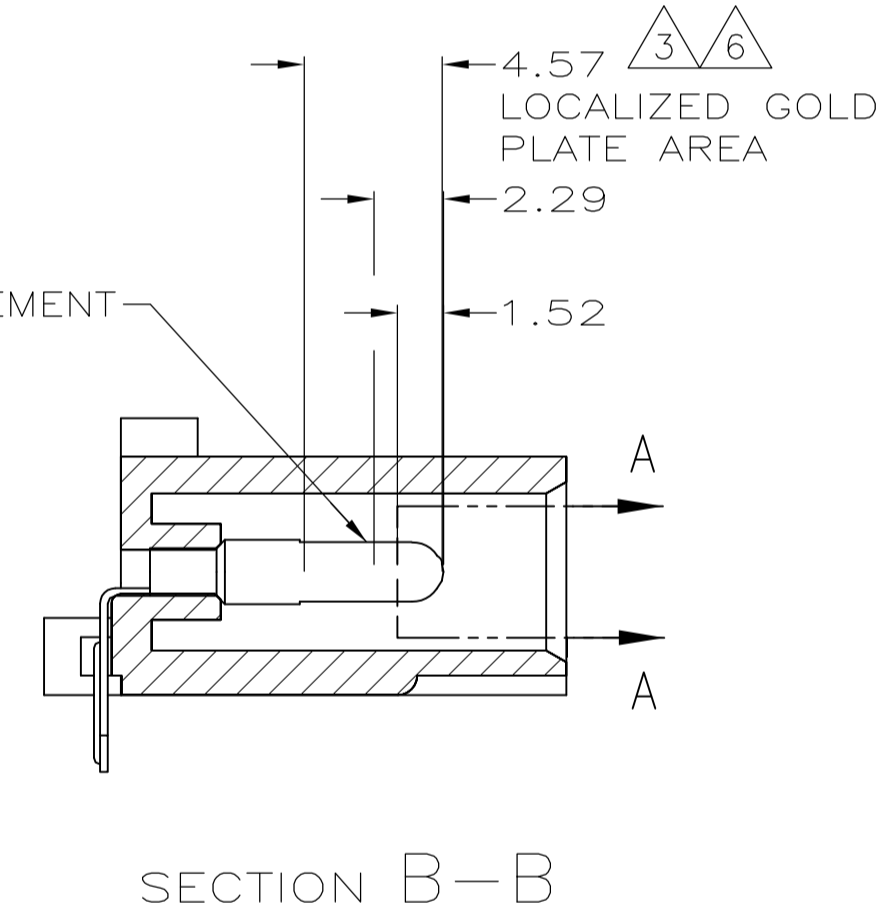
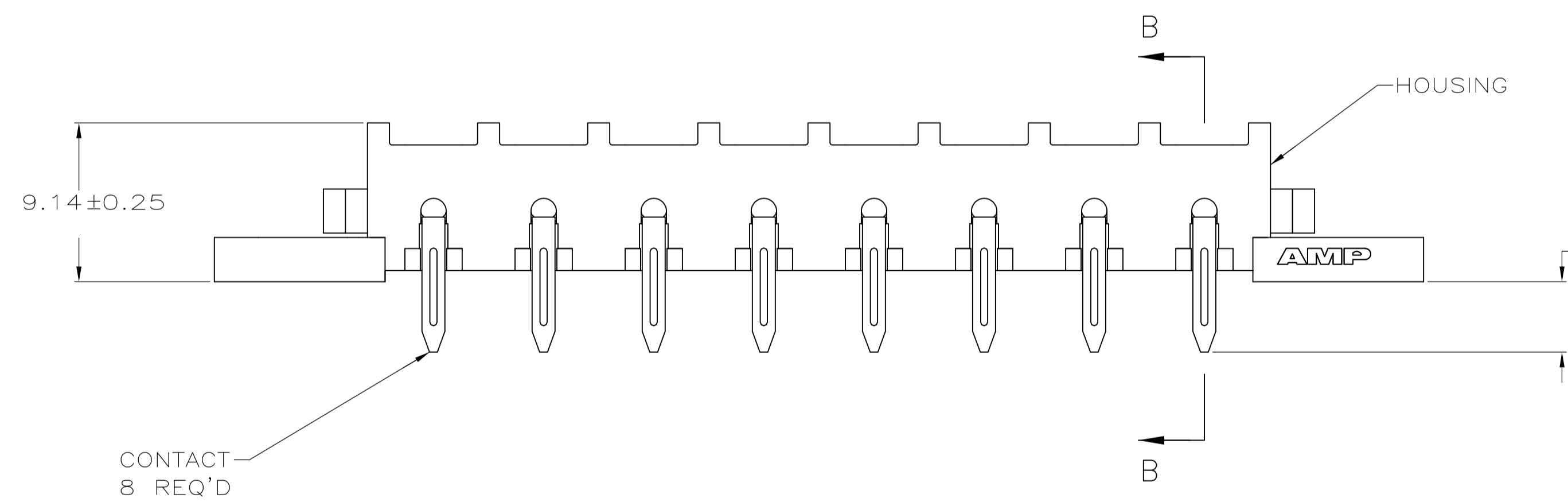
LOC		DIST		REVISIONS			
CM	00	REV	DATE	BY	CHK	APPV	
J2	REVISED PER ECR-12-011660		31JAN13	KH	TM		



- 1 PARTS COMPLY WITH AMP SOLDERABILITY SPECIFICATION 109-11-5.
- 2 CIRCUIT IDENTIFICATION CHARACTERS ARE ADJACENT TO THE INDICATED CAVITIES, BUT LOCATION AND ORIENTATION MAY DIFFER FROM PRINT.
- 3 CONTACT IS PLATED OVERALL WITH 0.00127 MIN NICKEL, THEN 0.00076 GOLD OVER CONTACT LENGTH INDICATED AND MATTE TIN LEAD FINISH ON SOLDER TAIL END.
- 4 OPTIONAL CONSTRUCTION MAY DELETE THIS RIB.
- 5 TOLERANCE NON-CUMLATIVE
- 6 CONTACT IS PLATED OVERALL WITH 0.00127 MIN NICKEL, THEN 0.00076 GOLD OVER CONTACT LENGTH INDICATED AND MATTE TIN FINISH ON SOLDER TAIL END.
- 7 SUPERSEDED BY 640584-3



3-DIMENSIONAL MODEL NTS



RECOMMENDED MOUNTING HOLE PATTERN FOR 1.57 THICK P.C. BOARD

MM	IN	MM	IN
2.29	.090	-	-
2.24	.088	69.72	2.745
2.11	.083	59.18	2.330
1.98	.078	52.07	2.050
1.85	.073	17.27	.680
1.57	.062	12.83	.505
1.52	.060	9.14	.360
0.38	.015	7.37	.290
0.25	.010	6.35	.250
0.13	.005	4.57	.180
0.08	.003	4.06	.160
0.00127	0.000050	3.81	.150
0.00076	0.000030	2.54	.100
MM	IN	MM	IN

THIS DRAWING IS A CONTROLLED DOCUMENT.

DIMENSIONS: mm	TOLERANCES UNLESS OTHERWISE SPECIFIED:	DWG: K. WHITAKER 22FEB2005	CHK: S. RIDGILL 22FEB2005	NAME: S. RIDGILL 22FEB2005
0 PLC ± -	1 PLC ± -	2 PLC ± 0.13	3 PLC ± -	4 PLC ± -
ANGLES ± -				
MATERIAL SEE TABLE	FINISH SEE TABLE	WEIGHT -	SIZE: A1	CAGE CODE: 00779
DRAWING NO: 640584		RESTRICTED TO: -	SCALE: 4:1	SHEET: 1 of 1
CUSTOMER DRAWING		REV: J2		

PH BRZ GOLD 6 NYLON, UL94V-0 640584-3

PH BRZ GOLD 3 NYLON, UL94V-0 640584-2

PH BRZ TIN NYLON, UL94V-0 640584-1

CONTACT HOUSING PART NO

STE TE Connectivity

PIN HEADER ASSEMBLY, RIGHT ANGLE MOUNT, 8 POSITION, UNIVERSAL MATE-N-LOK™