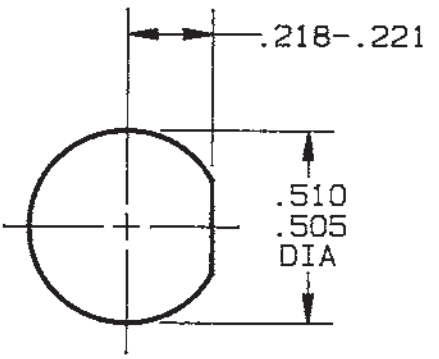
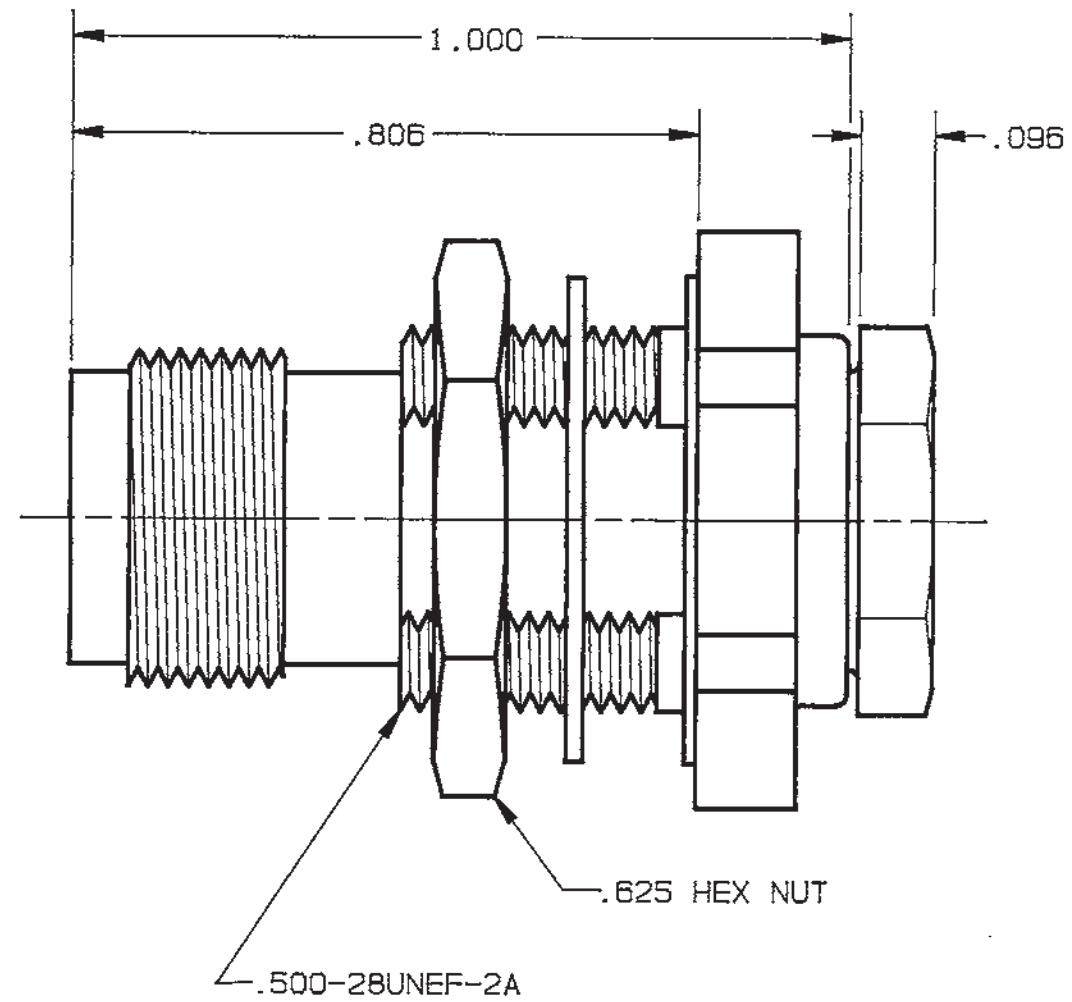
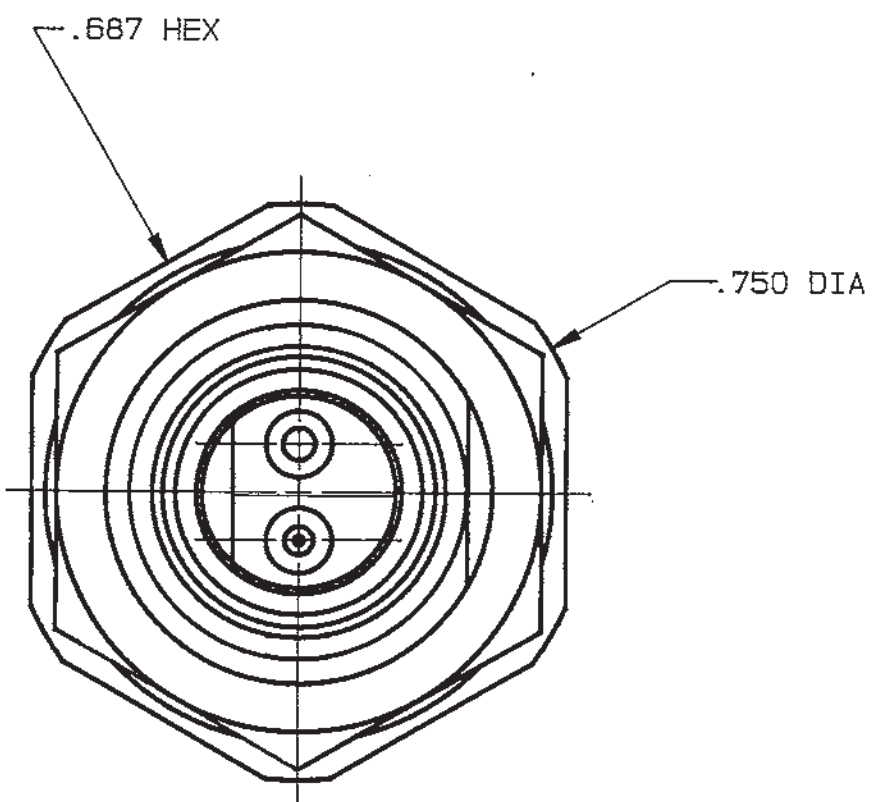


DASH NO	CABLES ACCOMMODATED	ASSEMBLE PER
-9	TWC-78-2/TWC-124-2	TAI-121
-25	T-43M GENERAL	
-27	202-3927 MICRODOT	
-29	TWC-78-1/TWC-124-1A	
-35	TWC-124-1	
-47	MIL-C-17/176-00002	
-49	TWAC-78-1F2	

DISK # 62 DWG SIZE B
 DATA CONTAINED IN THIS DOCUMENT IS PROPRIETARY TO TROMPETER ELECTRONICS INC. AND SHALL NOT BE DISCLOSED, COPIED OR USED FOR PROCUREMENT OR MANUFACTURE WITHOUT EXPRESS WRITTEN PERMISSION.

REVISIONS			2-0026		SH 1
REV	EO	DESCRIPTION	DWN	APPROVED	DATE
B	9132	GENERAL UPDATE & REDRAWN: ADDED ASSEMBLE PER COLUMN & .005 TOLERANCE; REMOVED CABLE STRIPPING SKETCH; DWG NO WAS 2000-0026	DKC	<i>E.E.; DM; BM</i>	1/10/91

INCH	MM
.005	0.13
.096	2.44
.218	5.54
.221	5.61
.505	12.83
.510	12.95
.625	15.88
.687	17.45
.806	20.47
1.000	25.40



4. MINIATURE TWTNC TYPE DUAL CONTACT BULKHEAD MT CABLE RECEPTACLE
3. MAX PANEL THICKNESS .218
2. FINISH: TFS-1A (NICKEL)
1. ALL DIM ARE IN INCHES

RECOMMENDED
PANEL CUTOUT

QTY	DESCRIPTION		PART NUMBER	ITEM		
TOL UNLESS SPECIFIED			BJ339			
.XX ±						
.XXX ±.005						
.XXXX ±						
ANGLE ±						
DWN	DKC	12-19-90	MATERIAL	CODE IDENT	DRAWING NO.	REV
CHK	<i>E.E.</i>	1-3-91	—	14949	2-0026	B
ENGR	<i>DM</i>	1-8-91				
APPR	<i>DF</i>	1-9-91	SCALE 4/1	DATE 10-2-81	SHEET 1 OF 2	

NEXT ASSY