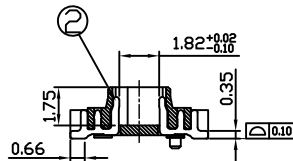
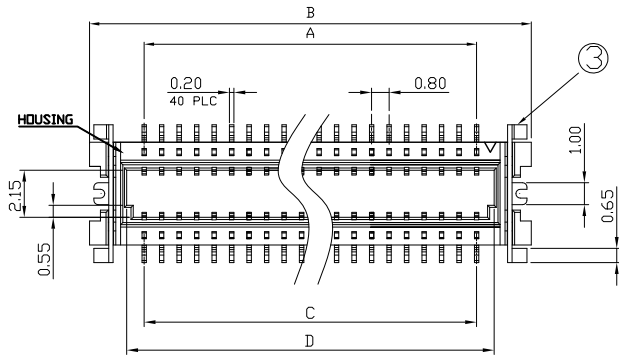


REV.	DESCRIPTION	DATE
A	New Drawing	2014/08/06

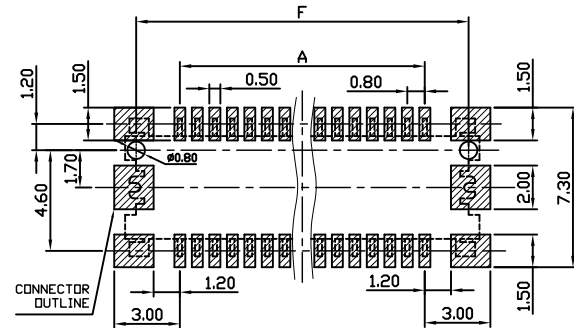
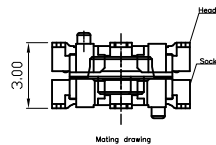
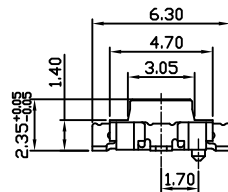
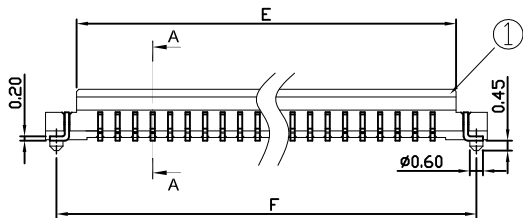
LTR	Part Name	Material	Description	QTY
1	Housing	LCP UL94V-0	+30%GF 260°C for 10 Seconds. Initial : 1000M Ohms Min.	1
2	Contact	Brass	Current Rating : 0.5 A Initial : 30m Ohms Max.	30
3	Fitting Nail	Brass	Current Rating : 0.5 A Initial : 30m Ohms Max.	2

Temperature Rating : -40°C ~ +105°C.
Dielectric Withstanding Voltage : 300 V AC/Min

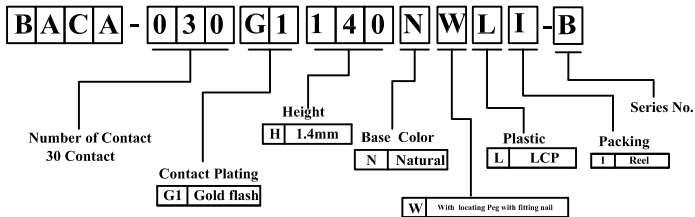
Compliance with:
PCIe4.0(16GTS),
USB4 Gen3(40Gbps),
USB3.2 Gen2(10Gbps),
USB3.2 Gen2 Type C(10Gbps).
Mating with:
"BBCA-030G1155NWL1-B"



SECTION A-A



▨ : STAND OFF AREA
TOLERANCE: ±0.05
RECOMMENDED PCB LAYOUT
(TOP VIEW)



Circuit No.	Dimensions					
	A	B (A+5.0)	C (A+1.0)	D (A+1.6)	E (A+2.15)	F (A+4.0)
2*15P	11.20	16.20	12.20	12.80	13.35	15.20

RoHS compliant

Superior Tech Co., Ltd.

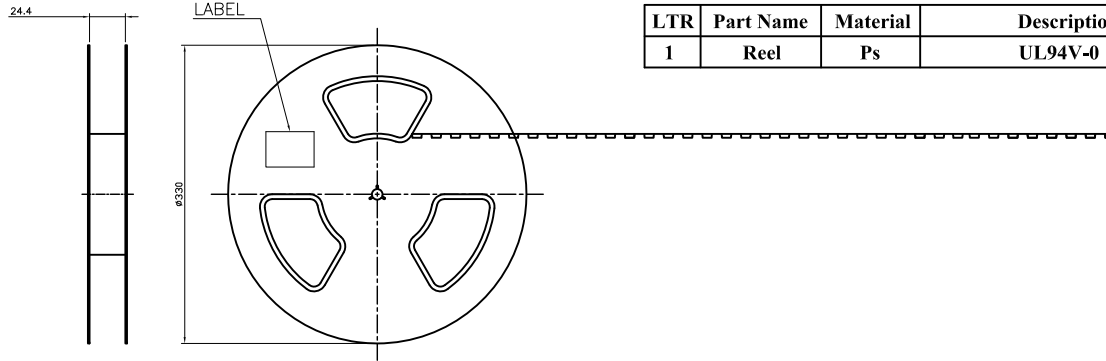
General Tolerance		TITLE	PH0.8 BTOB H1.4 Female	
X. ± 0.5		DRAWN	DATE	NO.
.X ± 0.3		Tom	08-06-14'	002
.XX ± 0.2		CHECK	DATE	PART NO.
.XXX ± 0.1		APPROVED	DATE	BACA-030G1140NWL1-B
Angle	± 5°			CUSTOMER NO.
				DK

REV.	UNIT	SCALE	
A	mm	1:1	

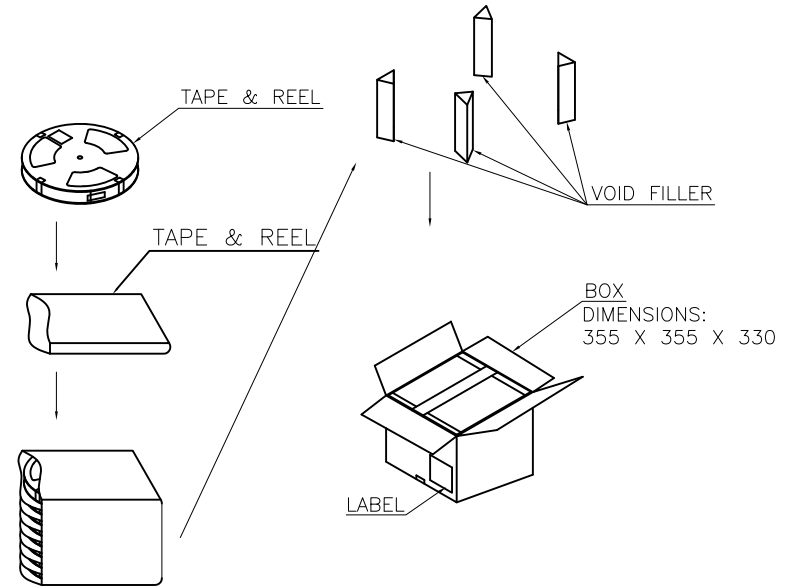
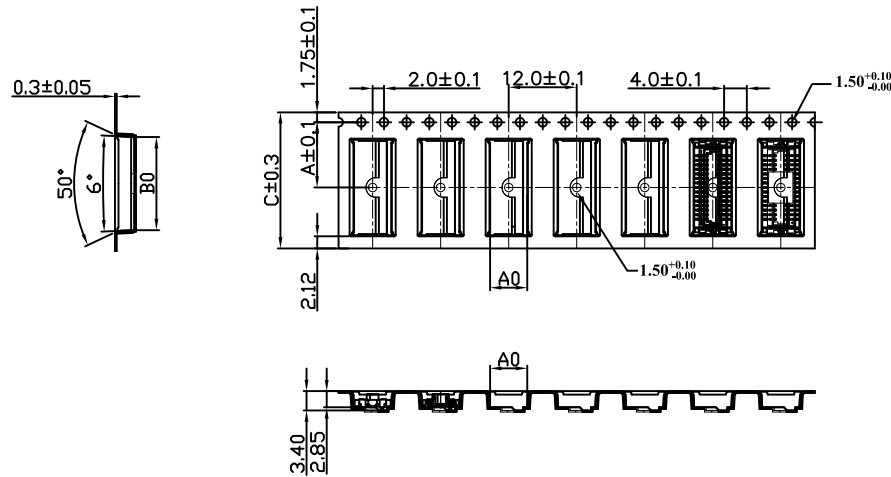
(Q2-R03-01A) ST-R05-07

LTR	Part Name	Material	Description	QTY
1	Reel	Ps	UL94V-0	1

REV.	DESCRIPTION	DATE
A	New Drawing	2017/07/26



USER DIRECTION OF UNREELING →



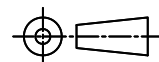
Note:
 1.All dimensions meet EIA-481-C requirements.
 2.Thickness : 0.3±0.05mm
 3.Play belt space: front space 13, back space 25

PIN No.	PCS/R	R/CTN
30PIN	1500 PCS	11 R

ITEM	A	A ₀	B ₀	C	
DIM	11.51±0.1	6.55±0.10	16.44±0.1	24.0±0.30	24.40 ⁺² ₋₀

Superior Tech Co., Ltd.

REV.	UNIT	SCALE
A	mm	1:1



General Tolerance	TITLE	BBCA-030G1155NWLI-B & BACA-030G1140NWLI-B_Packing	
X. ± 0.5	DRAWN Andy	DATE	NO.
.X ± 0.3		2017/07/26	002
.XX ± 0.2	CHECK	DATE	PART NO.
.XXX ± 0.1	APPROVED	DATE	BBCA-030G1155NWLI-B/ BACA-030G1140NWLI-B
Angle ± 5°			CUSTOMER NO.

(Q2-R03-01A) ST-R05-07