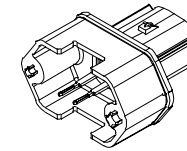
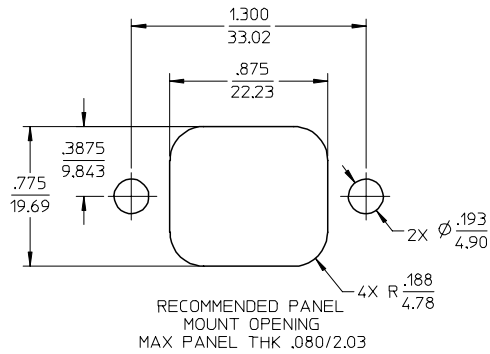
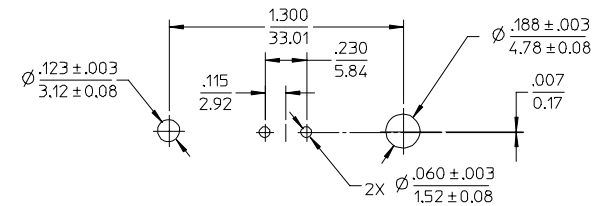
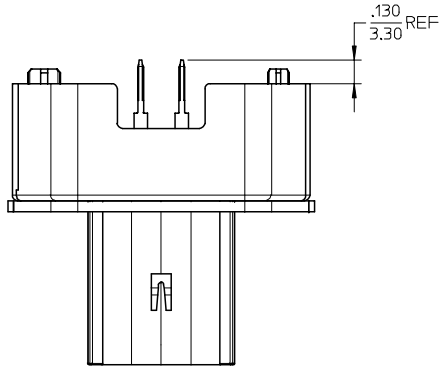


MATERIAL NUMBER	TERMINAL FINISH	TERMINAL PIN POTTING
19428-0007	TIN	NO
19428-0017	TIN/GOLD	
19428-0038	TIN	YES
19428-0039	TIN/GOLD	

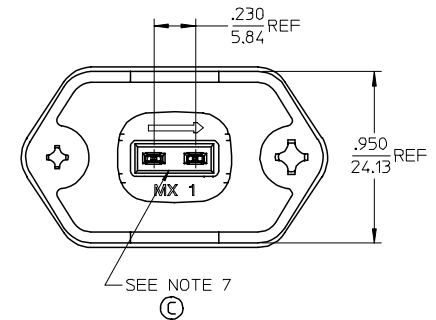
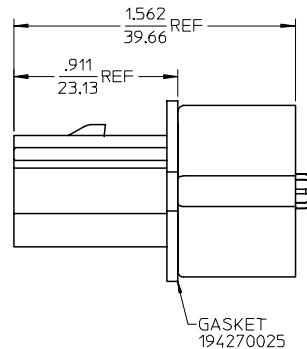
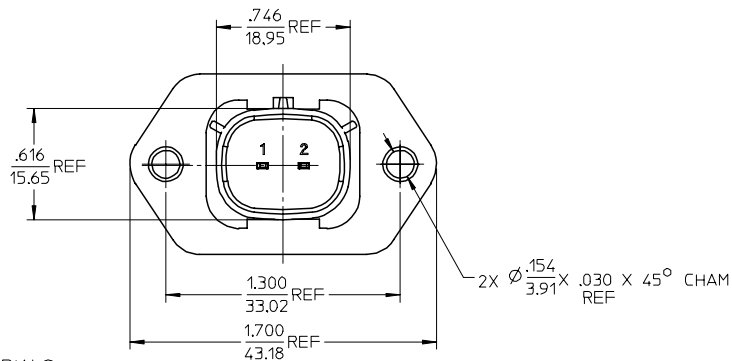
Ⓢ



ASSEMBLED VIEW
SCALE 1:1



RECOMMENDED PCB LAYOUT
COMPONENT SIDE



NOTES:

- MATERIALS:
HOUSING: POLYESTER (PBT), GLASS FILLED, UL94 V-0.
COLOR: BLACK
TERMINALS: COPPER ALLOY
TERMINAL POTTING AS APPLICABLE: ELASTOMERIC SILICONE
- FINISHES: 1. TIN ONLY: 100µIN TIN OVER 50µN NICKEL
2. TIN/GOLD: 30µIN SELECT GOLD (CONTACT MATING AREA), 100µIN SELECT TIN (PCB TAIL AREA) OVER 50µN NICKEL OVERALL
- PRODUCT SPECIFICATION: PS-19428-001.
- PACKAGING SPECIFICATION: PK-19428-001.
- MATES WITH: 19418 SERIES RECEPTACLE ASSEMBLIES.
- RECOMMENDED MOUNTING HARDWARE: (2) #10 X .62/18.9 LONG PLASTIC THREAD CUTTING SCREWS. RECOMMENDED TORQUE 15-17 IN-LBS. SUGGESTED SOURCE: ITW SHAKEPROOF INDUSTRIAL BOSSCREW OR EQUIVALENT.
- ELASTOMERIC SILICONE APPLIED IN TERMINAL WELLS, SEE CHART.
- ASSEMBLY IS ROHS COMPLIANT.

ADDED MAT. NOS. FCC NO: ETC2007-0238 2006/12/11 DRWN: JPAWL CK CHKD: JPAWL CK 2006/12/11 APPR: JPAWL CK 2006/12/12	QUALITY SYMBOLS ▽=0 ▽=0	GENERAL TOLERANCES (UNLESS SPECIFIED)		DIMENSION STYLE IN/MM		SCALE 2:1	DESIGN UNITS INCH	THIRD ANGLE PROJECTION
		4 PLACES ± --- ± --- 3 PLACES ± --- ± .015 2 PLACES ± 0.38 ± --- 1 PLACE ± --- ± --- ANGULAR ± 1 °	DRAWN BY DMYRICK DATE 04/06/25	CHECKED BY JPAWL CK DATE 04/06/25	APPROVED BY RDEROSS DATE 04/06/25	TITLE 2-WAY STRAIGHT HEADER ASSEMBLY, LONG VERSION		MOLEX INCORPORATED
DRAFT WHERE APPLICABLE MUST REMAIN WITHIN DIMENSIONS		SEE CHART		MATERIAL NO. SD-19428-009		DOCUMENT NO.		SHEET NO. 1 OF 1
THIS DRAWING CONTAINS INFORMATION THAT IS PROPRIETARY TO MOLEX INCORPORATED AND SHOULD NOT BE USED WITHOUT WRITTEN PERMISSION								