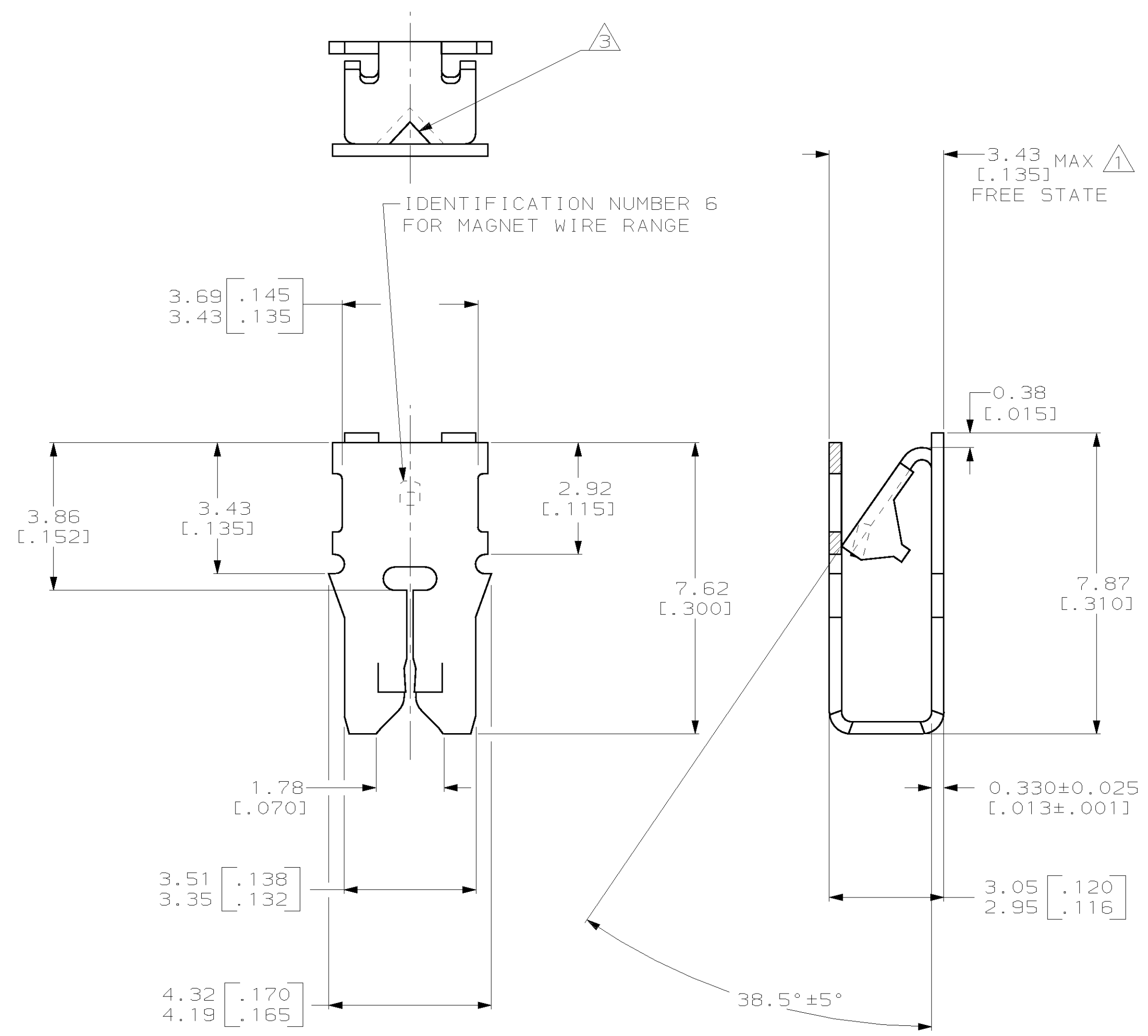
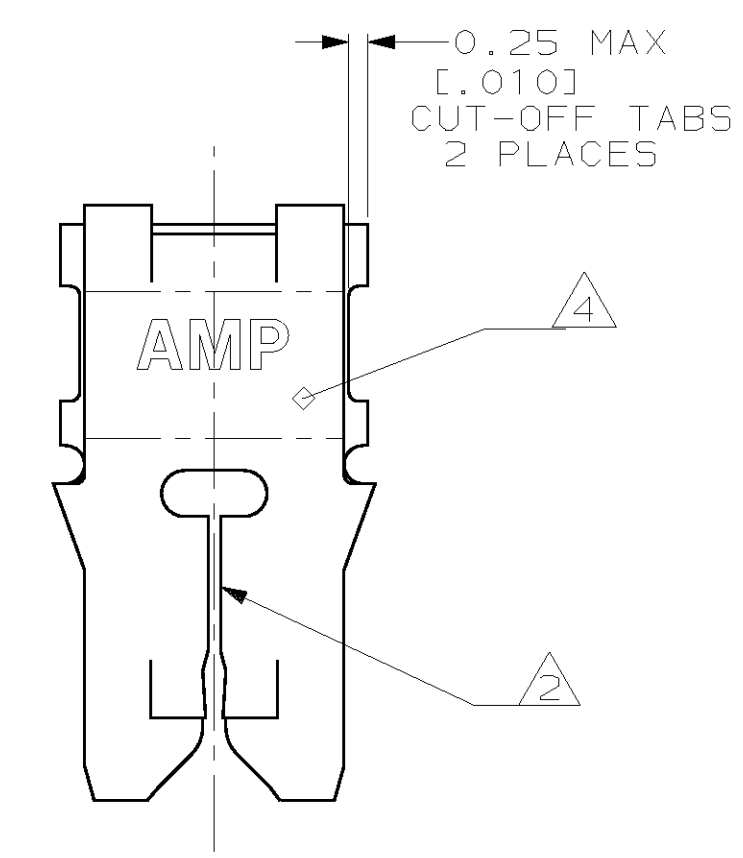


THIS DRAWING IS UNPUBLISHED. RELEASED FOR PUBLICATION
 BY AMP INCORPORATED. ALL RIGHTS RESERVED.

LOC	DIST	REVISIONS			
P	LTR	DESCRIPTION	DATE	DWN	APVD
AF	50	A	REVISED PER OG1A-0086-98	07APR98	MF KR



- ① DIMENSION APPLIES WITH LEAF EDGE TOUCHING CARRIER SIDE OF BOX
- ② SLOT TERMINATES EITHER A SINGLE OR DOUBLE MAGNET WIRE OF THE SAME SIZE AND TYPE. COPPER RANGE: 0.25-0.36mm [#30-#27] AWG.
- ③ POKE-IN ACCEPTS A 0.5-0.9mm² [#20-#18] AWG SOLID OR FUSED STRANDED LEAD WIRE.
- ④ APPLY BLUE COLORING TO THIS SURFACE DURING LOOSE PIECE OPERATION TO PROVIDE COLOR CODING OF MAGNET WIRE RANGE



62526-1
PART NUMBER

THIS DRAWING IS A CONTROLLED DOCUMENT.		DWN R. GRZYBOWSKI 21 JAN 98	AMP Incorporated Harrisburg, PA 17105-3608	
DIMENSIONS: mm [INCHES]		CHK M.S. FEHER 21 JAN 98	NAME N.E. NEFF 21 JAN 98	
TOLERANCES UNLESS OTHERWISE SPECIFIED:		APVD N.E. NEFF 21 JAN 98	PRODUCT SPEC 108-2012	
0 PLC ±-		APPLICATION SPEC 114-2046		
1 PLC ±-		SIZE A2		
2 PLC ±0.25 [.010]		CAGE CODE 00779		
3 PLC ±-		DRAWING NO 62526		
4 PLC ±-		RESTRICTED TO -		
ANGLES ±-		SCALE 10:1		
MATERIAL 4M BRASS		WEIGHT -		
FINISH 0.002032 [.000080] MIN TIN		SHEET 1 OF 1		
		REV A		
		CUSTOMER DRAWING		

62526