

NOTES: UNLESS OTHERWISE SPECIFIED

1. CONSTRUCTION:

HOUSING & PLUNGER: MOLDED NYLON. 10/11% GLASS FILLED. AVAILABLE IN TEN COLORS.

CONTACT BLADE: PASSIVATED STAINLESS STEEL

COMPRESSION SPRING: STAINLESS STEEL.

2. FEATURES:

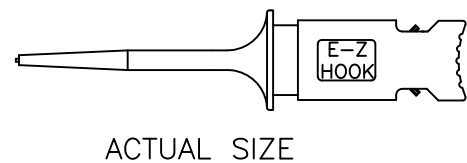
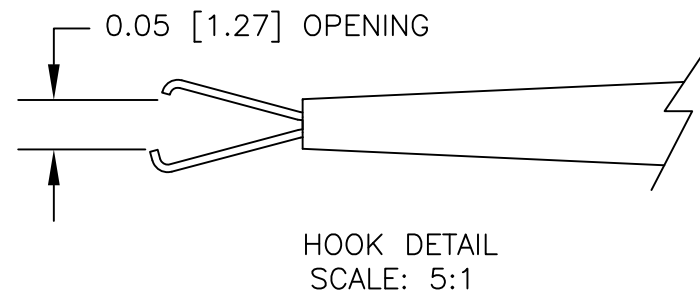
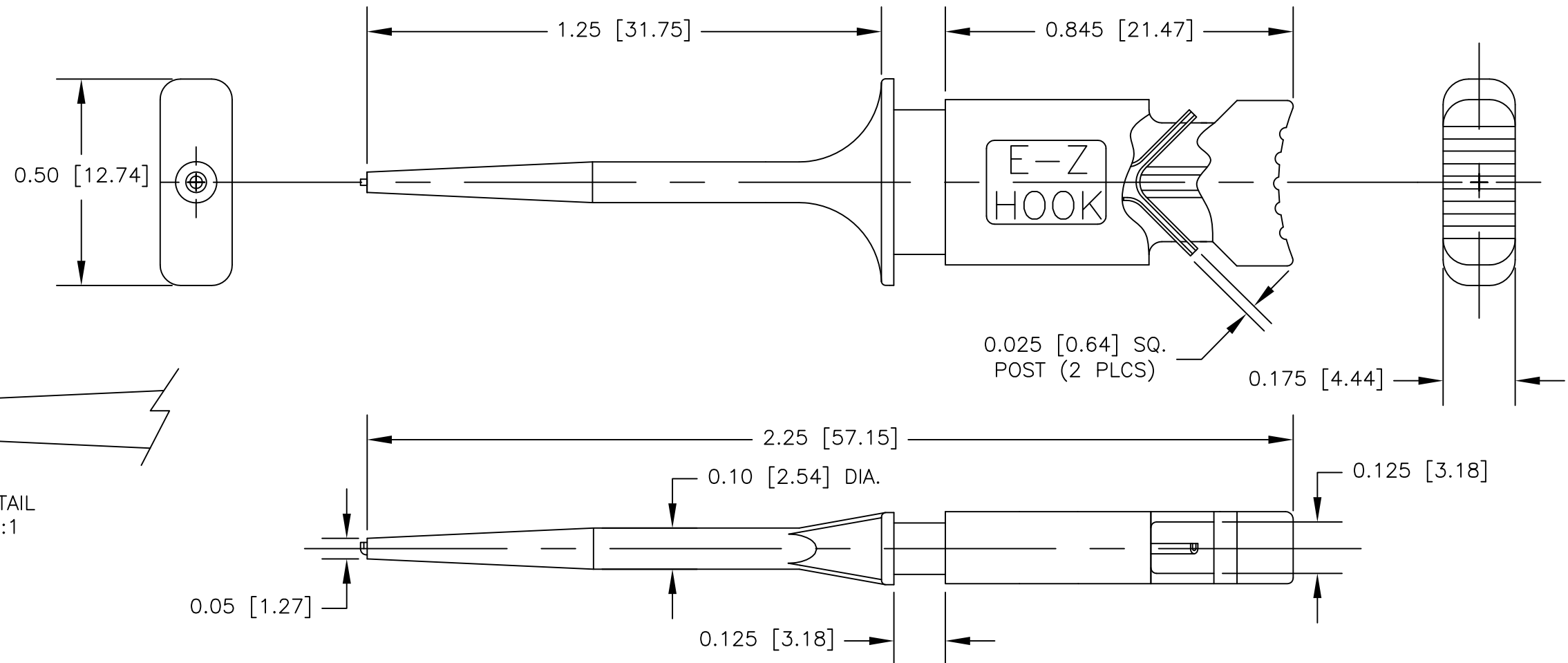
HOOK FITS COMPONENTS UP TO $\phi 0.05$ [$\phi 1.27$].

PINS EXIT PLUNGER ON EITHER SIDE.

PINS PERMIT CONNECTION TO 0.025^2 [0.64^2]

OR $\phi 0.03$ [$\phi 0.76$] SOCKETS.

LTR	DESCRIPTION	REVISIONS	
		DATE	APPROVED



UNLESS OTHERWISE SPECIFIED DIMENSIONS ARE IN INCHES TOLERANCES ARE: FRACTIONS DECIMALS ANGLES ± .XX ± ± .XXX ±		CONTRACT NO.		E-Z-HOOK DIVISION OF TEKTEST INC. ARCADIA, CA 91006 U.S.A.	
MATERIAL SEE NOTE.		APPROVALS	DATE		
FINISH SEE NOTE.		DRAWN	R.L.	6/09	DESCRIPTION E-Z-MICRO HOOK GRIPPER TEST CONNECTOR
NEXT ASSY	USED ON	APPROVED BY			SIZE B
APPLICATION		DO NOT SCALE DRAWING			CODE IDENT NO. 08505
					DRAWING NO. XKM
					REV.
				SCALE 3:1	SHEET 1 OF 1