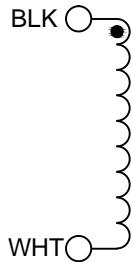


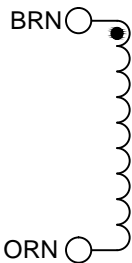
**PRIMARY**

**SECONDARY**

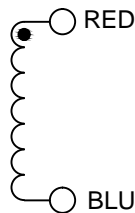
PRIMARY #1  
117V 50/60Hz



PRIMARY #2  
117V 50/60Hz



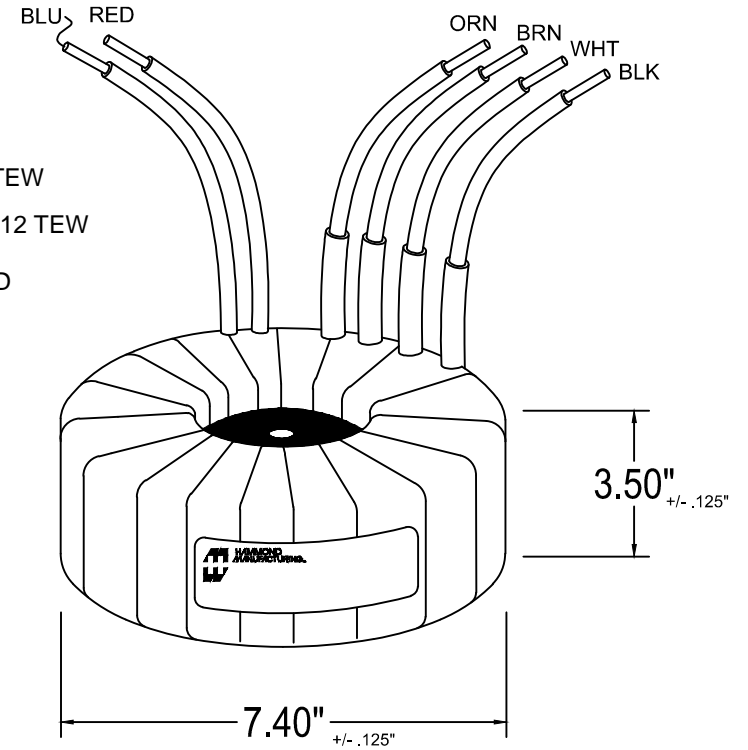
SECONDARY  
240V @ 6.30 Amps



PRIMARY LEADS ARE #12 TEW  
SECONDARY LEADS ARE #12 TEW

ALL LEADS OUT 8"-9" AND STRIPPED 0.5" MIN.

WEIGHT: 24.75lbs +/- 4%



**HAMMOND MANUFACTURING** **1182Q240P**  
50/60Hz VA:1500

PRI: 2x 117V BLK-WHT, BRN-ORN  
SEC: 1x 240V @ 6.30A RED-BLU

1A1500A010A000240 **RoHS Compliant**

MADE IN CANADA DATE PB **CE** **UL** **RoHS**

SUPPLIED WITH: ONE 0.125" T X 6.00" OD RUBBER WASHER.  
EPOXY CENTER FILLED 0.50" FROM THE TOP AND DRILLED 13/32" FOR A 3/8 BOLT.  
ONE 3/8-16 BOLT 4.00" LONG WITH A LOCK WASHER AND 3/8-16 HEX NUT.

ELECTRICAL DATA:		
TESTS	CONDITIONS	ACCEPTANCE CRITERIA
Sec. N.L.V	@ 117V, 60Hz BLK & BRN to WHT & ORN	
OR	@ 234V, 50Hz BLK to ORN (Connect BRN & WHT)	
	RED - BLU	245.54 V ±2%
POLARITY	BLK, BRN and RED.	ADDITIVE
DCR	BLK - WHT	0.160 Ohms ±20%
IN OHMS	BRN - ORN	0.160 Ohms ±20%
	RED - BLU	0.360 Ohms ±20%
HIPOT	PRIMARY - SECONDARY	4000V, 60Hz, 1 SEC
	PRIMARY - PRIMARY	600V, 60Hz, 1 SEC

PROPERTY AND COPYRIGHT NOTICE			
THIS DRAWING AND THE INFORMATION IT CONVEYS ARE THE PROPERTY OF HAMMOND MANUFACTURING. IT MAY NOT BE REPRODUCED, TRANSMITTED OR USED IN ANY MANNER WHATSOEVER WITHOUT THE WRITTEN PERMISSION OF HAMMOND MANUFACTURING.			
REV	NOTES	BY	DATE
1	UPDATED THE HARDWARE, WAS 3/8-16 X 3.5" LONG.	GG	16/04/14
		<b>HAMMOND MANUFACTURING</b> ELECTRONIC DIVISION 52 RANKIN PLACE, WATERLOO, ONTARIO, N2J 3Z5 PHONE: 519.886.6181 FAX: 519.886.9540	
<b>TOROID POWER TRANSFORMER</b>			
DRAWN G. GRAY		DATE 21/03/2014	NUMBER <b>1182Q240P</b>
APPROVED		DATE	