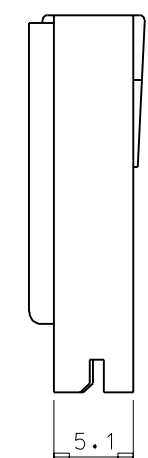
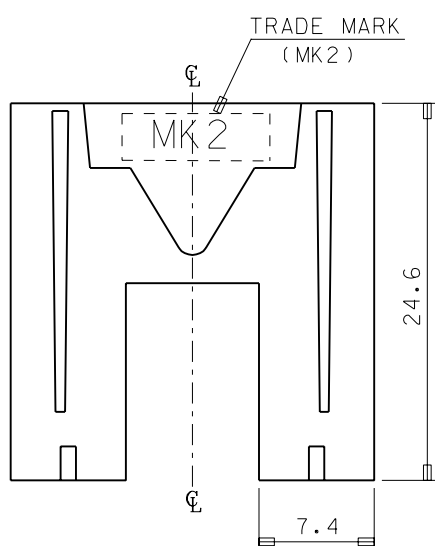
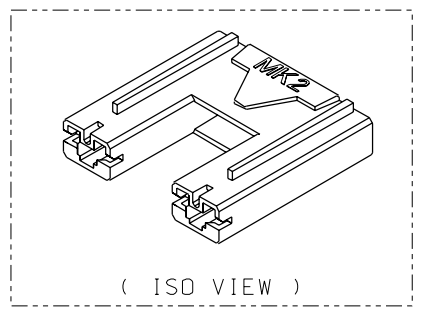
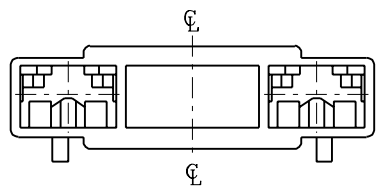


DWG. NO. SD-35189-0250  
 SIMILAR ITEM  
 PROJECT NO.  
 DO NOT SCALE DRAWING DIMENSION IN METRIC

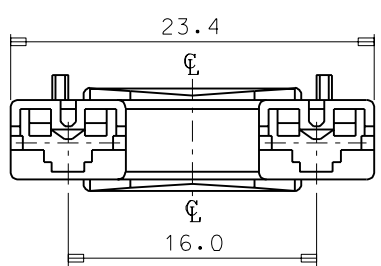
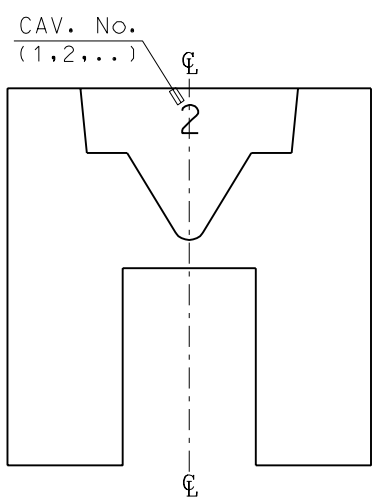


NOTES

1. MATERIAL & COLOR

MATERIAL NO.	ENG NO.	COLOR	MATERIAL
351890250	35189-0250	NATURAL	NYLON66(UL94V-2)
351890251	35189-0251	NATURAL	NYLON66(UL94V-0)
351899250	35189-9250	NATURAL	POLYPROPYLENE (UL 94V-0)
351899252	35189-9252	RED	
351899253	35189-9253	YELLOW	
351899254	35189-9254	BLUE	

2. APPLICABLE TERMINAL : 35068 - 9\*\*2



REVISED	ECN NO. KOR2002-0028	QUALITY SYMBOLS	GENERAL TOLERANCES: (UNLESS SPECIFIED)		
	DRWN: C.B.CHIN 01/10/12		mm	INCH	
C	CHK: W.Y. YANG	MAJOR	4 PLACES	±0.	±.
	APPR: C.W.LEE	CRITICAL	3 PLACES	±0.	±.
REV			2 PLACES	±0.	±.
			1 PLACE	±0.3	±.

SCALE	DESIGN UNITS	THIRD ANGLE PROJECTION
3:1	<input checked="" type="checkbox"/> mm <input type="checkbox"/> INCH	<input type="checkbox"/> THIRD ANGLE PROJECTION
DRAWN BY & DATE		TITLE:
J.S.KANG 01/04/17		
CHECKED BY & DATE		.187 MP-LOCK HSG-2P (16mm PITCH)
B.K.CHOI 01/04/17		
APPROVED BY & DATE		MOLEX INCORPORATED
C.W.LEE 01/04/17		
CAD FILENAME	MATERIAL NO.	DRAWING NO.
S35189AA.DGN	SEE NOTES	SD-35189-0250
DRAFT WHERE APPLICABLE MUST REMAIN WITHIN DIMENSIONS		SHEET NO. 1 OF 1
THIS DRAWING CONTAINS INFORMATION THAT IS PROPRIETARY TO MOLEX INCORPORATED AND SHOULD NOT BE USED WITHOUT WRITTEN PERMISSION.		SIZE B

DIMENSIONS:		SHT	REV
<input type="checkbox"/> mm	<input type="checkbox"/> INCH	<input checked="" type="checkbox"/> mm	<input type="checkbox"/> ONLY
REVISIONS		REVISIONS	
KOREA		MX-A3	