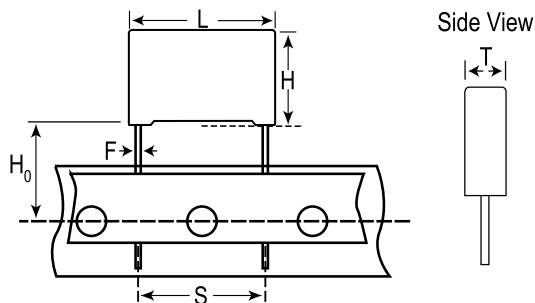


R46\_275, Film, Metallized Polypropylene, Safety, 0.33 uF, 20%, 275 VAC (X2), 560 VDC, 110C, Lead Spacing = 22.5mm



| General Information |                                     |
|---------------------|-------------------------------------|
| Supplier:           | KEMET                               |
| Series:             | R46_275                             |
| Dielectric:         | Metallized Polypropylene            |
| Style:              | Radial                              |
| Features:           | EMI Safety                          |
| RoHS:               | Yes                                 |
| Lead:               | Wire Leads                          |
| Qualifications:     | ENEC, UL, cUL, CQC                  |
| Notes:              | We Recommended To Use R46 @ 310 VAC |

| Dimensions |                    |
|------------|--------------------|
| L          | 26.5mm +0.3mm      |
| H          | 15mm +0.1mm        |
| T          | 6mm +0.2mm         |
| S          | 22.5mm +0.6/-0.1mm |
| H0         | 18.5mm +/-0.5mm    |
| F          | 0.8mm +/-0.05mm    |

| Specifications         |              |
|------------------------|--------------|
| Capacitance:           | 0.33 uF      |
| Capacitance Tolerance: | 20%          |
| Voltage AC:            | 275 VAC (X2) |
| Voltage DC:            | 560 VDC      |
| Temperature Range:     | -40/+110C    |
| Rated Temperature:     | 110C         |
| Dissipation Factor:    | 0.10% 1kHz   |
| Insulation Resistance: | 100 GOhms    |
| Max dV/dt:             | 200 V/us     |
| Safety Class:          | X2           |

| Packaging Specifications |                         |
|--------------------------|-------------------------|
| Packaging:               | Ammo, 360x340x59mm, Box |
| Packaging Quantity:      | 464                     |