

Customer Information Sheet

DRAWING No.: M22-634XX42R

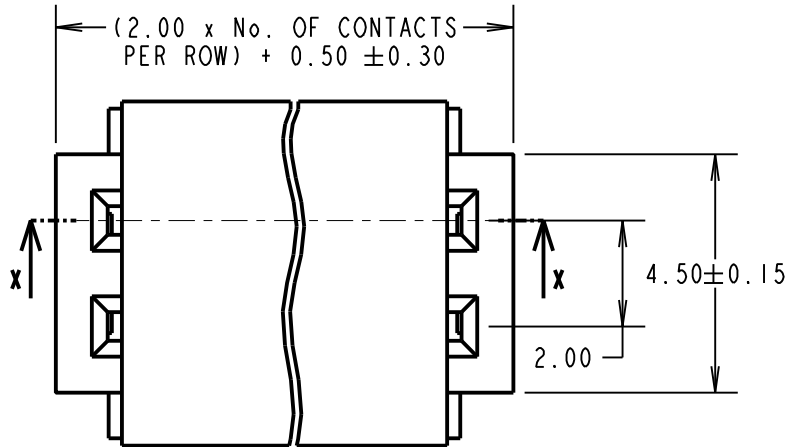
IF IN DOUBT - ASK

©

NOT TO SCALE

THIRD ANGLE PROJECTION

ALL DIMENSIONS IN mm



SPECIFICATIONS:

MATERIAL:
 MOULDING = PA6T, UL94V-0, BLACK
 CONTACT = PHOSPHOR BRONZE

FINISH:
 NICKEL ALL OVER, 100% TIN ON TAILS,
 GOLD FLASH ON CONTACT AREA.

ELECTRICAL:
 CURRENT RATING = 2A
 INSULATION RESISTANCE = 1000MΩ MIN.
 CONTACT RESISTANCE = 20mΩ MAX.
 VOLTAGE PROOF = 500V AC/DC

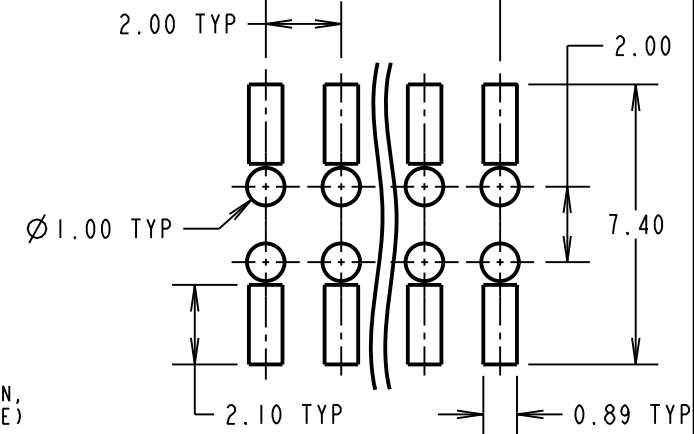
MECHANICAL:
 INSERTION FORCE = 1.96N MAX
 WITHDRAWAL FORCE = 0.20N MIN.
 DURABILITY = 300 CYCLES

ENVIRONMENTAL:
 OPERATING TEMPERATURE = -55°C TO +105°C

PACKING:
 REEL

FOR COMPLETE MECHANICAL/ELECTRICAL SPECIFICATION,
 SEE COMPONENT SPECIFICATION CO18XX (LATEST ISSUE)

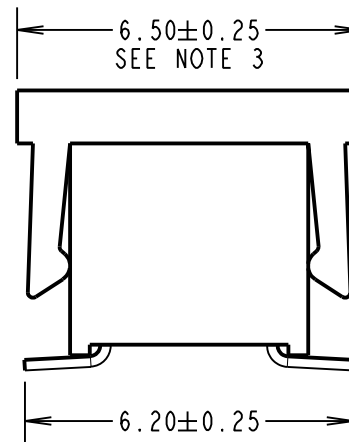
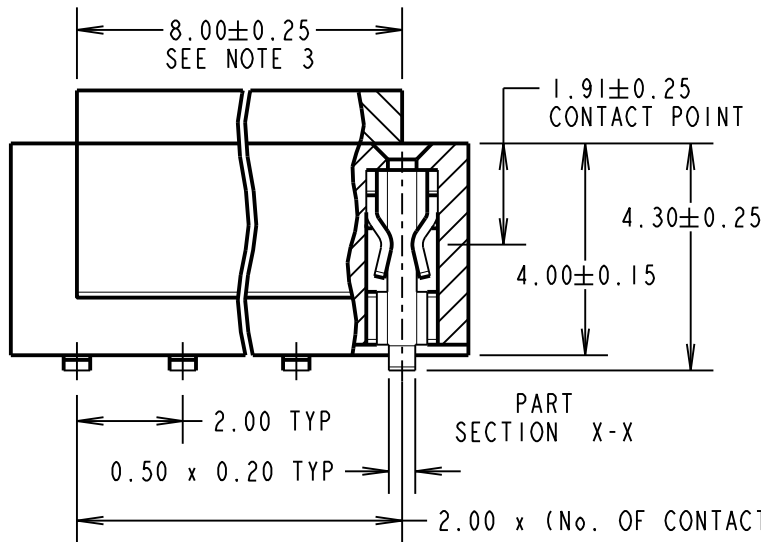
2.00 x (No. OF CONTACTS PER ROW - 1) ± 0.20



RECOMMENDED PCB LAYOUT
 (TOLERANCE = ±0.05)

NOTES:

1. COPLANARITY OF CONTACTS TO BE 0.10mm MAX.
2. FOR TAPE AND REEL DETAILS, SEE SHEET 4.
3. FOR M22-6340342R, 5.00 x 5.00 SQUARE MYLAR TAPE IS USED INSTEAD OF PICK AND PLACE CAP.



ORDER CODE:

M22-634XX42R

No. OF CONTACTS PER ROW: 03, 04, 05

FINISH: 42 = SELECTIVE GOLD + 100% TIN

| | | | |
|----------------|------|------------|--------|
| SB | 15 | 02.06.15 | 12785 |
| NAME | ISS. | DATE | C/NOTE |
| APPROVED: | | S.BENNETT | |
| CHECKED: | | M.PLESTED | |
| DRAWN: | | W.J.BOURNE | |
| CUSTOMER REF.: | | | |
| ASSEMBLY DRG: | | | |

HARWIN

www.harwin.com
 technical@harwin.com

THIS DRAWING AND ANY INFORMATION OR DESCRIPTIVE MATTER SET OUT HEREON ARE CONFIDENTIAL AND COPYRIGHT PROPERTY OF THE HARWIN GROUP AND MUST NOT BE DISCLOSED, LOANED, COPIED OR USED FOR MANUFACTURING, TENDERING OR FOR ANY OTHER PURPOSE WITHOUT THEIR WRITTEN PERMISSION.

TOLERANCES
 X. = ±1mm
 X.X = ±0.50mm
 X.XX = ±0.10mm
 X.XXX = ±0.01mm

ANGLES = ±5°
 UNLESS STATED

MATERIAL:

SEE ABOVE

FINISH:

SEE ABOVE

S/AREA:

mm²

TITLE:

2mm PITCH DIL SMT
 LOW PROFILE SKT ASSEMBLY
 IN TAPE AND REEL

DRAWING NUMBER:

M22-634XX42R

SHT
 3
 OF
 4

Customer Information Sheet

DRAWING No.: M22-634XX42R

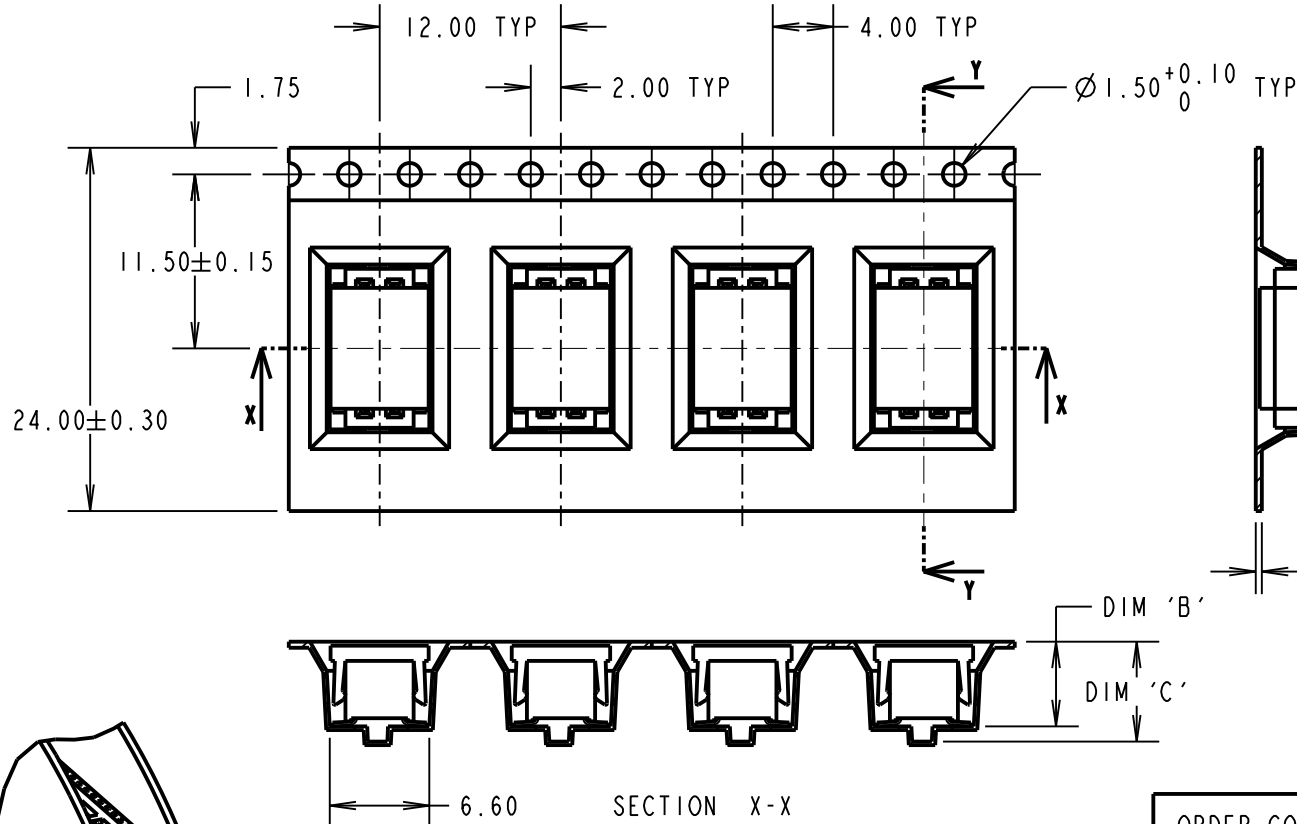
IF IN DOUBT - ASK

©

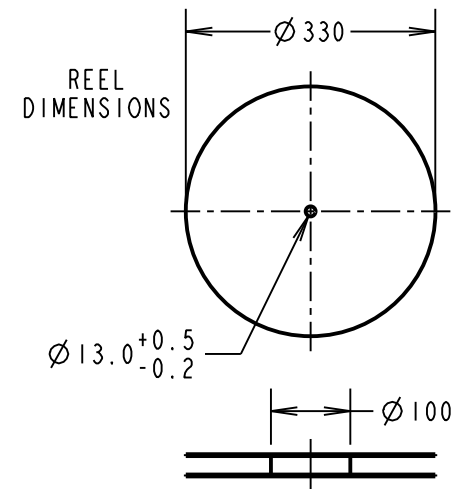
NOT TO SCALE

THIRD ANGLE PROJECTION

ALL DIMENSIONS IN mm



| PART No. | DIM 'A' | DIM 'B' | DIM 'C' |
|--------------|---------|---------|---------|
| M22-6340342R | 8.30 | 5.60 | 6.60 |
| M22-6340442R | 8.90 | 6.00 | 6.90 |
| M22-6340542R | 10.70 | 5.60 | 6.60 |



- NOTES:
- FOR CONNECTOR DIMENSIONS, SEE SHEET 3.
 - QUANTITY OF COMPONENTS PER REEL = 800.
 - PRODUCT IS TAPE AND REELED IN ACCORDANCE WITH ELECTRONICS INDUSTRIES ASSOCIATION EIA-481.

ORDER CODE:
M22-634XX42R

No. OF CONTACTS PER ROW: _____
 03, 04, 05

FINISH: _____
 42 = SELECTIVE GOLD + 100% TIN

| | | | |
|----------------|------|------------|--------|
| SB | 15 | 02.06.15 | 12785 |
| NAME | ISS. | DATE | C/NOTE |
| APPROVED: | | S.BENNETT | |
| CHECKED: | | M.PLESTED | |
| DRAWN: | | W.J.BOURNE | |
| CUSTOMER REF.: | | | |
| ASSEMBLY DRG: | | | |

HARWIN

www.harwin.com
 technical@harwin.com

THIS DRAWING AND ANY INFORMATION OR DESCRIPTIVE MATTER SET OUT HEREON ARE CONFIDENTIAL AND COPYRIGHT PROPERTY OF THE HARWIN GROUP AND MUST NOT BE DISCLOSED, LOANED, COPIED OR USED FOR MANUFACTURING, TENDERING OR FOR ANY OTHER PURPOSE WITHOUT THEIR WRITTEN PERMISSION.

TOLERANCES
 X. = ±1mm
 X.X = ±0.50mm
 X.XX = ±0.10mm
 X.XXX = ±0.01mm
 ANGLES = ±5°
 UNLESS STATED

MATERIAL:
 SEE ABOVE

FINISH: SEE ABOVE

S/AREA: mm²

TITLE: 2mm PITCH DIL SMT
 LOW PROFILE SKT ASSEMBLY
 IN TAPE AND REEL

DRAWING NUMBER:
M22-634XX42R

SHT
 4
 OF
 4