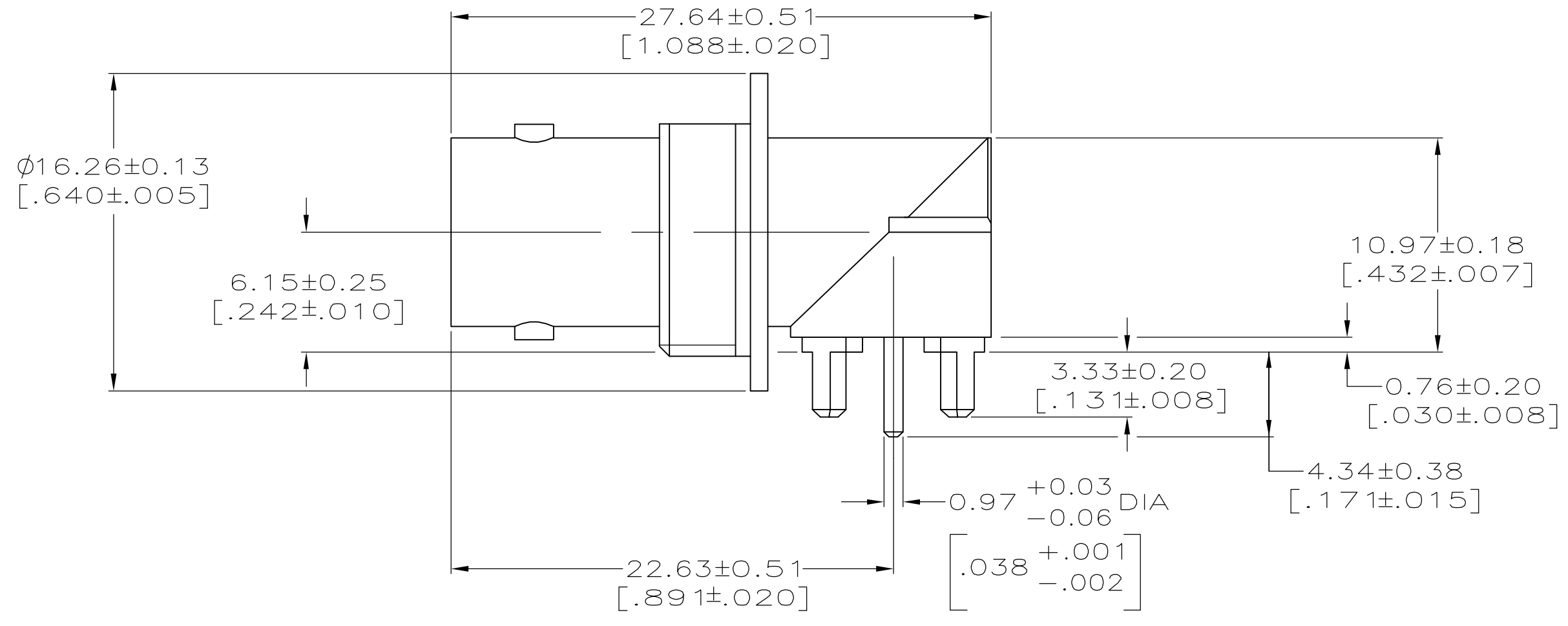
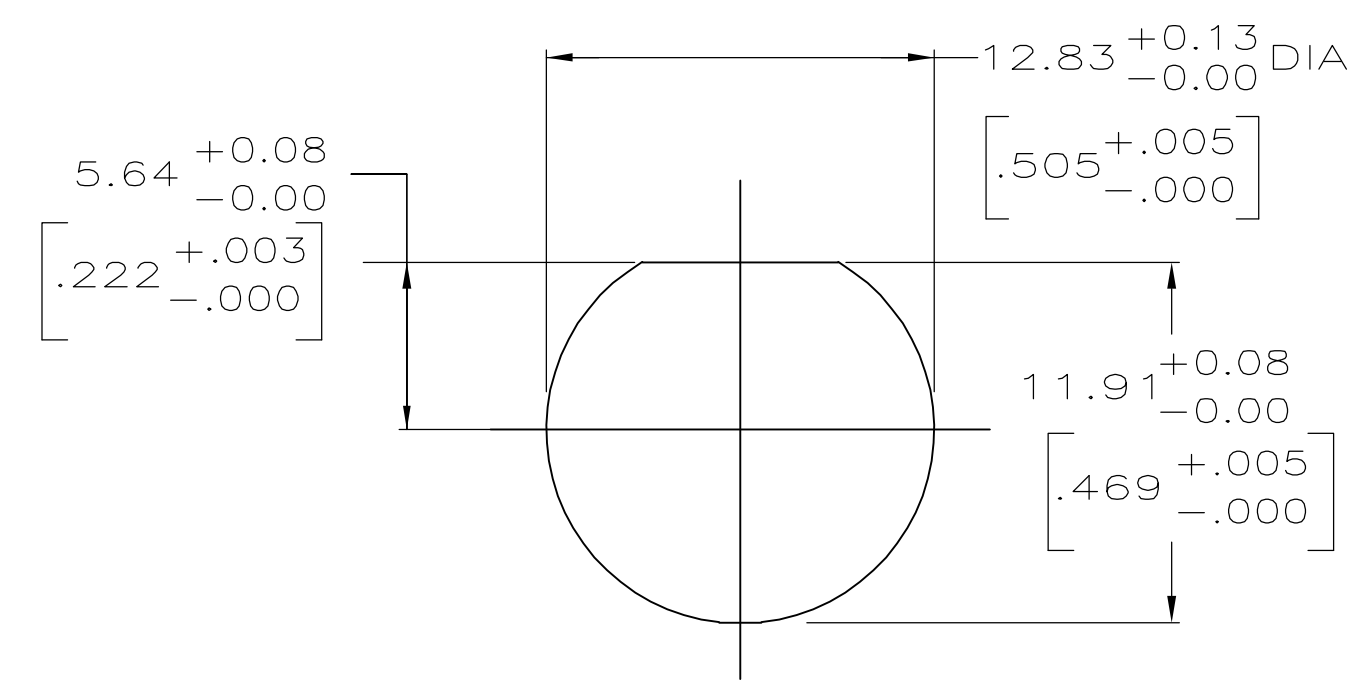
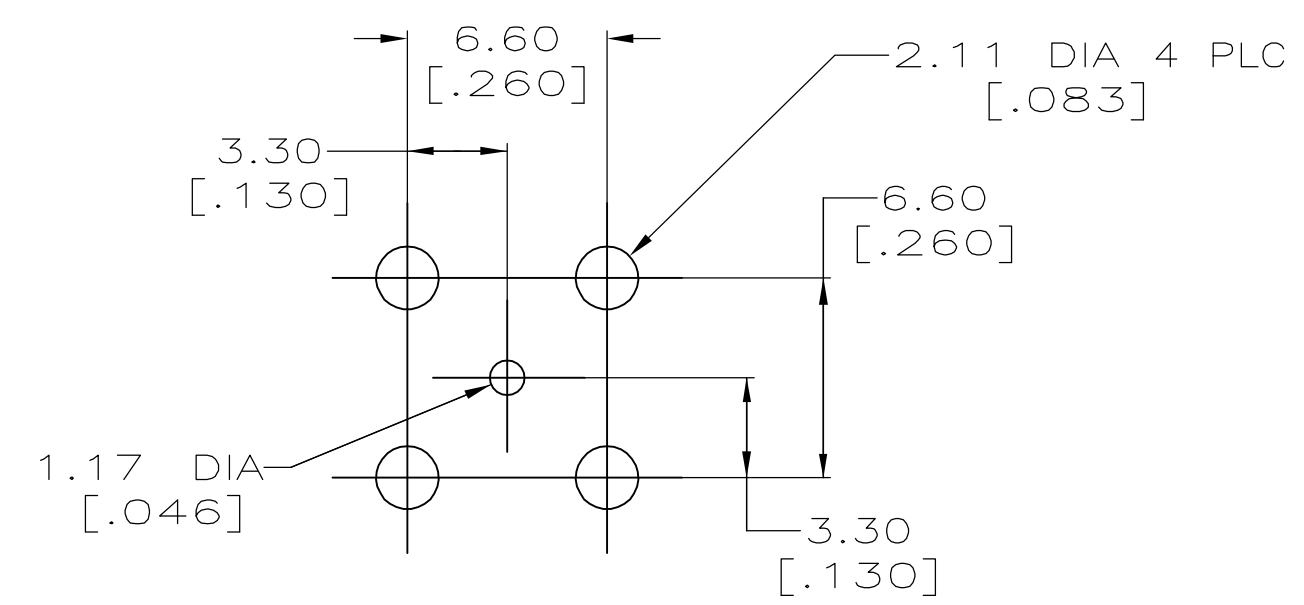
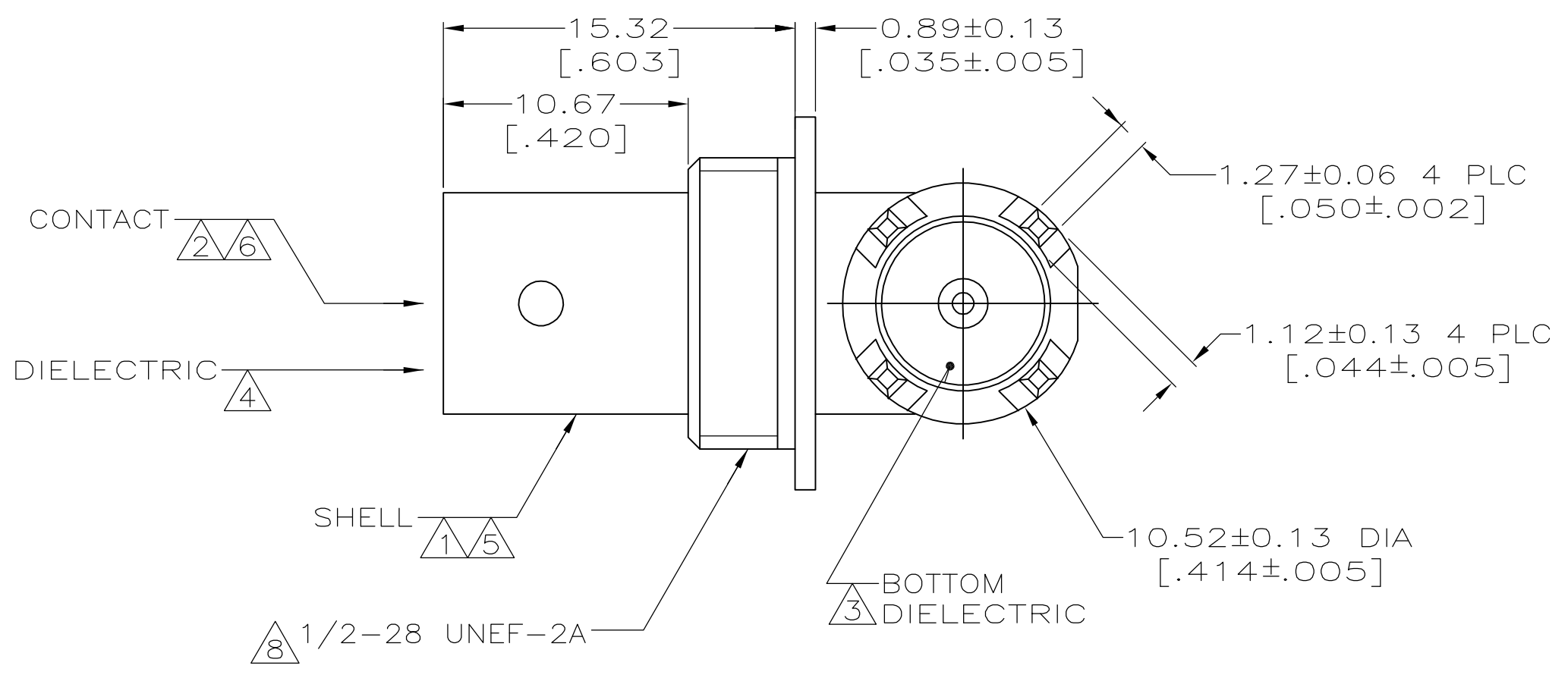


THIS DRAWING IS UNPUBLISHED. RELEASED FOR PUBLICATION  
 © COPYRIGHT BY TYCO ELECTRONICS CORPORATION. ALL RIGHTS RESERVED.

LOC		DIST		REVISIONS			
P	LTR	DESCRIPTION	DATE	DWN	APVD		
AJ	00	A	REV PER ECO 06-024121	1/29/2007	DW	JL	



- ① ZINC PER QQ-Z-363
- ② BERYLLIUM COPPER PER ASTM-B-197
- ③ PTFE PER MIL-P-19468
- ④ POLYMETHYLPENTENE, GENERAL PURPOSE
- ⑤ TIN PLATE PER ASTM-B-545, 3.81 μm [.000150] MIN THICK.
- ⑥ GOLD PLATE PER MIL-G-45204, 0.76 μm [.000030] MINIMUM THICKNESS
- ⑦ INTERFACE PER MIL-C-39012
- ⑧ MODIFIED MAJOR DIAMETER TO 12.29 [.484]



RECOMMENDED PANEL CUTOUT

5415373-1  
 PART NUMBER

THIS DRAWING IS A CONTROLLED DOCUMENT.		DWN G. ATTADIA - DOCK5 01FEB2005	tyco Tyco Electronics Corporation Harrisburg, PA 17105-3608	
DIMENSIONS: mm [INCHES]		CHK J. HAVENER 01FEB2005	NAME JACK, PCB, RIGHT ANGLE, 75 OHM, BNC	
TOLERANCES UNLESS OTHERWISE SPECIFIED:		APVD J. LIPPERT 01FEB2005	PRODUCT SPEC	
0 PLC ± -		APPLICATION SPEC		
1 PLC ± -		WEIGHT -		
2 PLC ± 0.08 [.003]		SIZE A2		
3 PLC ± -		CAGE CODE 00779		
4 PLC ± -		DRAWING NO C=5415373		
ANGLES ± -		RESTRICTED TO -		
FINISH		SCALE 4:1		
SEE NOTES		SHEET 1 of 1		
SEE NOTES		REV A		
CUSTOMER DRAWING				