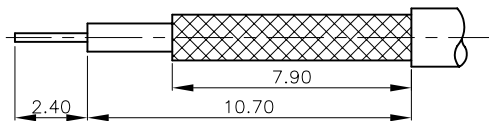
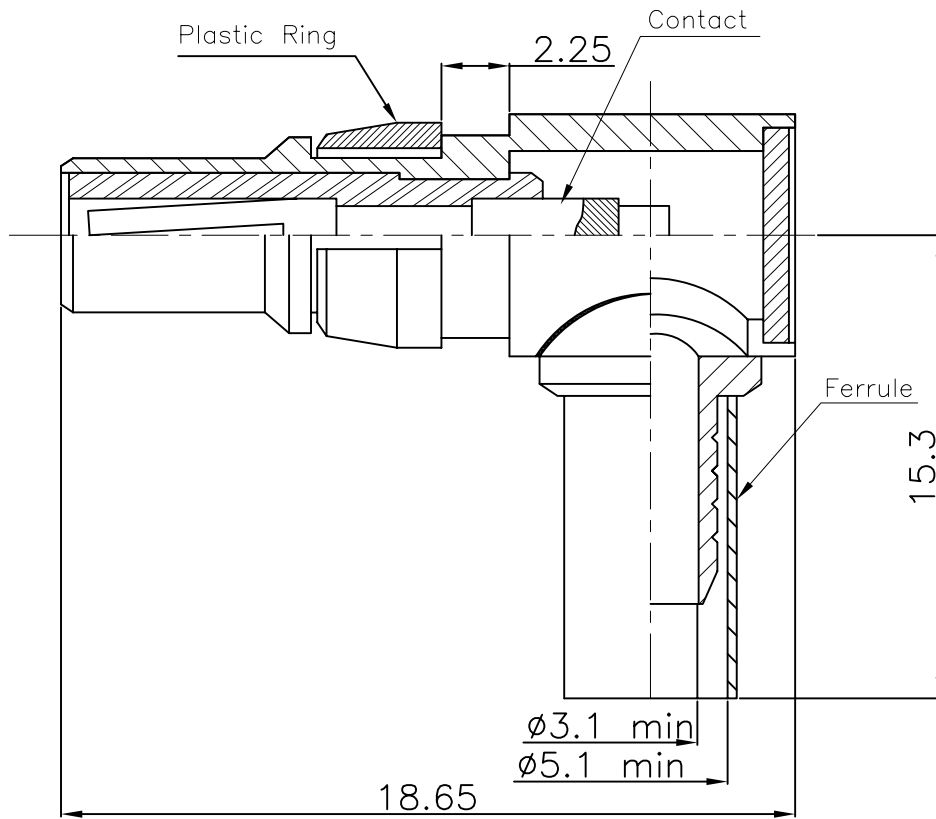


This document is the property of Amphenol Corporation and is delivered on the express condition that it is not to be disclosed, reproduced or used, in whole or in part, for manufacture or sale by anyone other than Amphenol Corporation without its prior consent, & that no right is granted to disclose or to use any information in this document.

REVISIONS				
SYM	ECN	DESCRIPTION	DATE	APPROVED
D			03/26/08	



MECHANICAL

Materials:

Male Contacts: Brass per ASTM B16,1/2 HD
 Insulators: Teflon per ASTM D1710
 Crimp Ferrule: Annealed Copper Alloy
 Clip Ring: Plastic

Finish:

Body: Gold Plated per MIL-G-45204
 Center Contact: Gold Plated per MIL-G-45204

ELECTRICAL

Impedance: 50 Ohms Nominal
 Frequency Range: 0 to 5.0 GHz
 Insulation Resistance: 5000 Megaohms Minimum
 Contact Resistance: (Milliohms maximum)
 Center Contact: 5.0
 Outer Contact: 3.0
 Voltage Standing Wave Ratio: 0 to 5.0 GHz
 Right Angle connector: 1.15+.02F GHz on RG-316 Cable
 Right Angle connector: 1.15+.01F GHz on .141 Dia.Semi-Rigid Cable

ENVIRONMENTAL

Operating Temperature: -55°C to +125°C
 Vibration: MIL-STD-202,Method 204,Test Condition D
 Shock: MIL-STD-202,Method 213,Test Condition I
 Corrosion Resistance: MIL-STD-202,Method 101,Test Condition B

UNLESS OTHERWISE SPECIFIED TOLERANCES		APPROVAL		DATE
	U.S.	METRIC	DRAWN	Christian.cmt
.X	+/-	0.20	CHECKED	03/26/08
.XX	+/-	0.10	CHECKED	03/26/08
.XXX	+/-	0.05		
FRACTIONS	+/-			
ANGLES	+/-	2'		
FOR MATERIALS AND FINISHES SEE NOTES		DRAWING FILE :		
REMOVE SHARP EDGES		ANGLE OF PROJECTION		
DIMENSIONS				
U.S.	INCHES			
METRIC	MM			

		TITLE	
		Right Angle Male Coaxial Contact	
SIZE	DRAWING NO.	REV.	
A4	C L17DM537414-4W00330C	D	
SCALE	NONE	SHEET 1 OF 1	