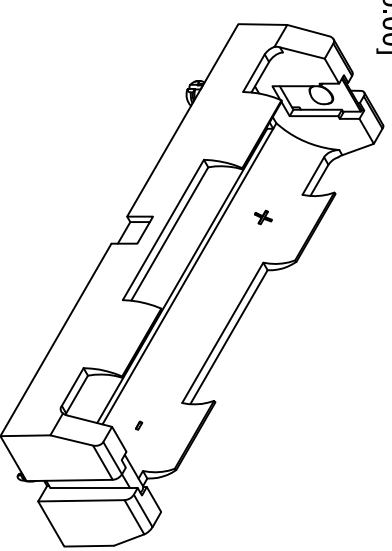
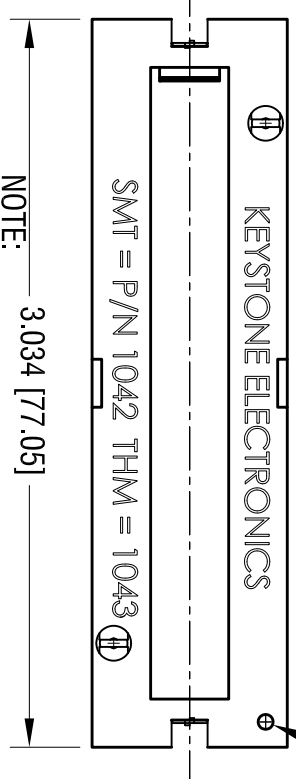
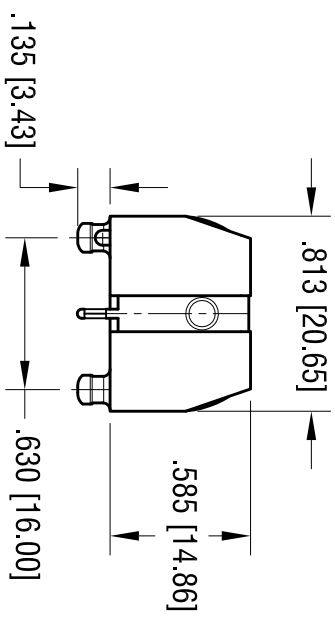
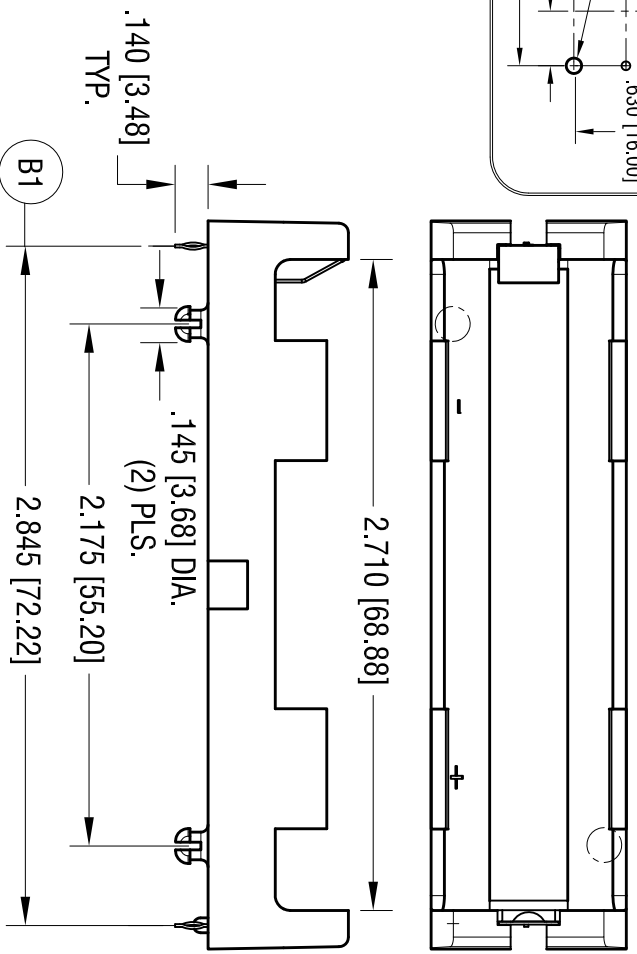
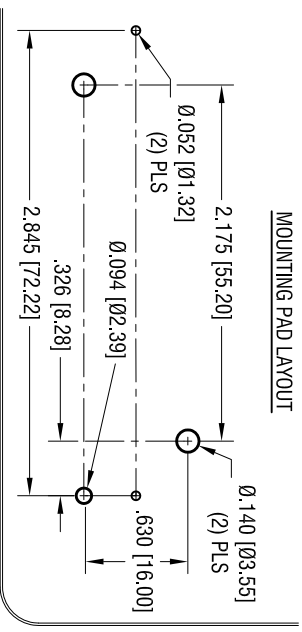


DATE	DESCRIPTION	REV.
10.08.13	CHANGE AS PER ECN 13-091	A
1.04.17	CHANGE AS PER ECN17-005 (B) WAS 2.822 [71.64]	B
1.18.19	ECN 19-005, BASE WAS NYLON 46	C



NOTE:

1. BASE:
MAT'L: PBT (BLACK COLOR)
2. CONTACT:
MAT'L: .012 [0.30] THK STAINLESS STEEL
FINISH: TIN NICKEL PLATE

KEYSTONE ELECTRONICS CORP.
www.keystco.com • NEW HYDE PARK, NY 11040 • Tel (516) 328-7500

PART NAME: THM POLARIZED HOLDER
MATERIAL: AS NOTED

FINISH: AS NOTED
TOLERANCES: INCH [MM]
DECIMAL ± .010 [± 0.25]
ANGULAR ± 1°

CODE: C
DWG NO.: 1043P
DATE: 7.12.13
SCALE: 1.25X

THIS DOCUMENT IS THE PROPERTY OF KEYSTONE ELECTRONICS CORP. AND SHALL NOT BE REPRODUCED, DISTRIBUTED OR USED AS A BASIS FOR MANUFACTURE WITHOUT PRIOR WRITTEN PERMISSION FROM KEYSTONE ELECTRONICS CORP.