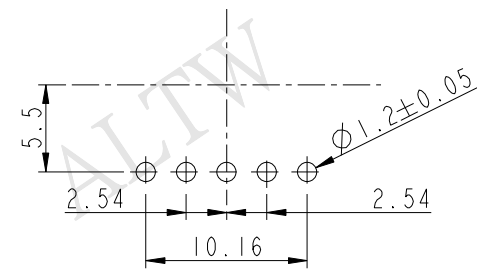
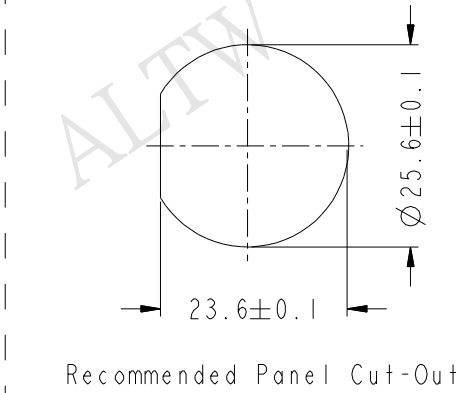
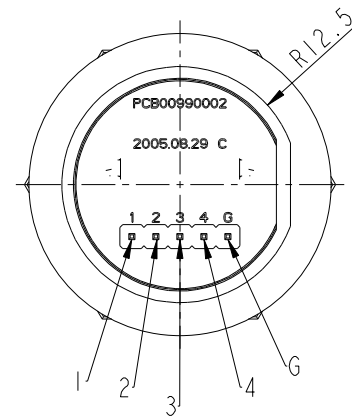
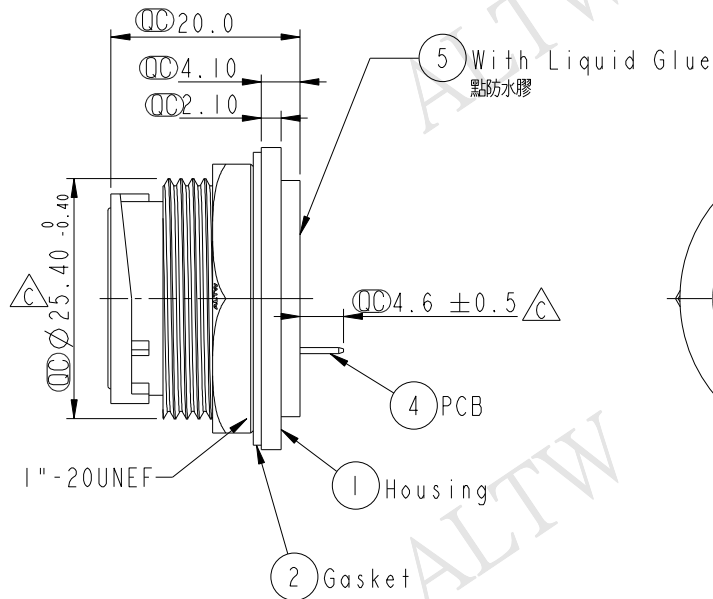
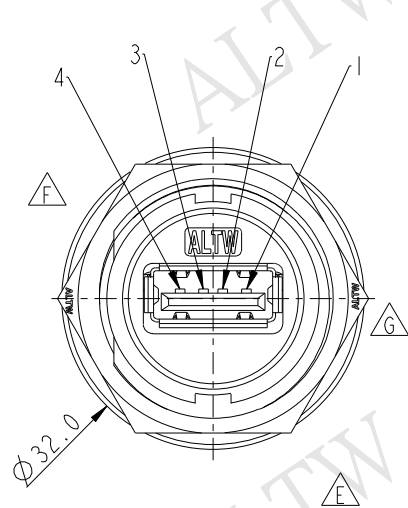
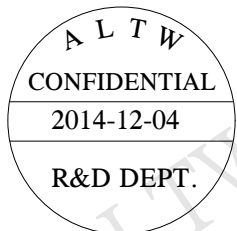
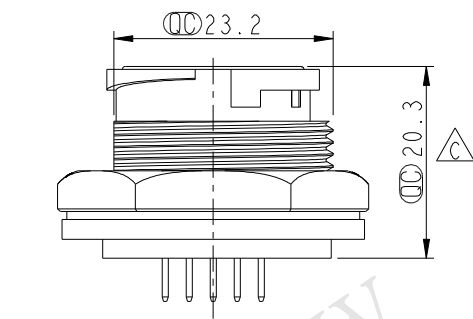


REV.	ECN NO.	DATE	SIGN	DESCRIPTION
E	LEN-090326	2010/09/17	Li Chi Cheng	Add "Waterproof Rate".
F	LEN1490379	2014/09/12	Lu Di	Update Logo
G	LEN14C0304	2014/12/04	Lu Di	Update Nut



PCB LAYOUT



- Note:
- * \varnothing Important Dimension.
 - * Waterproof Rate: IP67.
 - * Housing: Nylon+GF, Black.
 - * Nut: Nylon+GF, Black.
 - * Gasket: EPDM, Black.
 - * PCB: FR-4, t=1.0mm.
 - * Liquid Glue: Black.
 - * \triangle Use with waterproof cap or dust cap For Panel Thickness Max: 2.8mm
 - * \triangle Use without waterproof cap or dust cap For Panel Thickness Max: 4.0mm

UNIT: mm		TITLE		ITEM NO		DRAWN BY		DATE	
		USB A PCB TYPE FOR PANEL		UA-20PMFP-LC7001		Lu Di		2014/12/04	
TOLERANCE		SCALE	SIZE	SHEET	DWG NO	CHECKED BY	DATE		
.X ±0.25		5:4	A4	1 OF 1	UA-20PMFP-LC7001	Joyy	2014/12/04		
.XX ±0.1		REV.	WC-REV.		CUSTOMER	APPROVED BY	DATE		
.XXX ±0.05		G	A.4		ALTW	Jerry	2014/12/04		
ANGLES ±1°		\varnothing : Inspection item							

Amphenol LTW
安費諾亮泰企業股份有限公司

THIS DOCUMENT IS SUBJECT TO CHANGE WITHOUT NOTICE. IT IS CONFIDENTIAL AND A PROPERTY OF Amphenol LTW. DISCLOSURE TO THIRD PARTY HAS TO BE AUTHORIZED BY Amphenol LTW.