

NOTES:

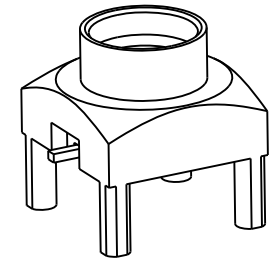
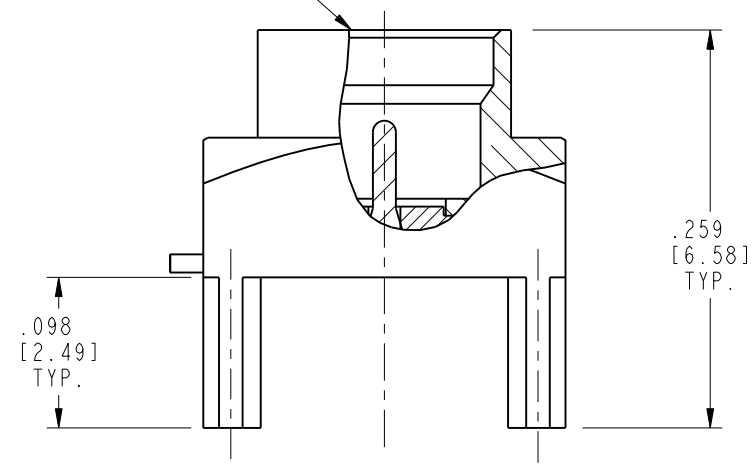
1. MATERIALS AND FINISHES:
 BODY - BRASS, GOLD PLATING
 CONTACT - BRASS, GOLD PLATING
 INSULATOR - LCP
2. ELECTRICAL:
 A. IMPEDANCE: 50 OHM
 B. FREQUENCY RANGE: DC - 18 GHz
 C. VSWR(RETURN LOSS): 1.10 (26 dB), MAX. DC - 6 GHz
 1.15 (23 dB), MAX. 6 - 10 GHz
 1.32 (17 dB), MAX. 10 - 18 GHz
 D. DIELECTRIC WITHSTANDING VOLTAGE: 500 VRMS, MIN.
3. PHYSICAL:
 A. DURABILITY: 1000 CYCLES MIN.
 B. ENGAGEMENT FORCE: 2 LB [9 N] MAX
 C. DISENGAGEMENT FORCE: 0.5 LB [2.2 N] MIN
 D. INNER CONTACT RETENTION FORCE: 1.5 LB [7 N] MIN
 E. TEMPERATURE RANGE: -65° C TO +165° C
4. PACKAGING:
 A. QUANTITY: SINGLE PACK
 B. MARK BAG OR TAG:
 AMPHENOL
 SMP-MSSB-PCT-1
 DATE CODE
 QTY

THIRD ANGLE PROJ.

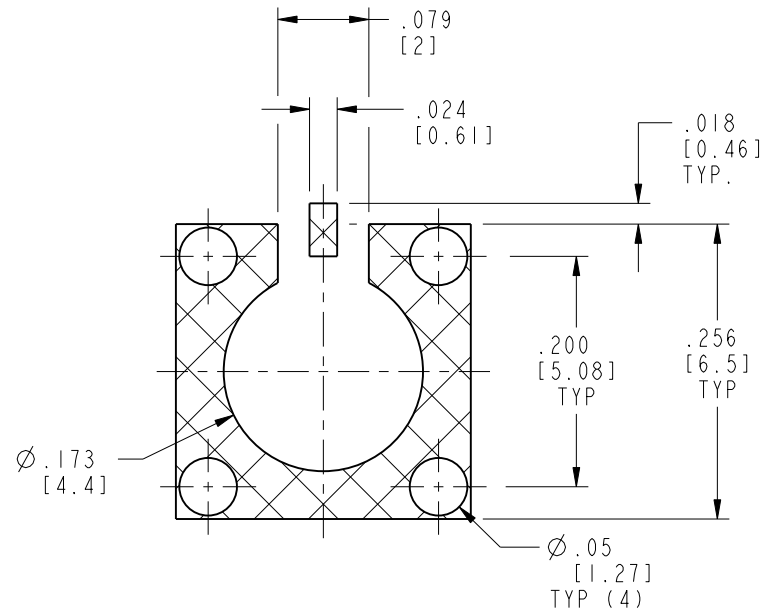
REVISIONS

REV	DESCRIPTION	DATE	ECO	APPR
A	RELEASE TO MFG	8/31/06	46217	HP
B	INSULATOR WAS CHANGED	07-May-07	---	ANGELA
C	SYNCH THE DRAWING WITH DANBURY	07-Nov-12	49307	SH

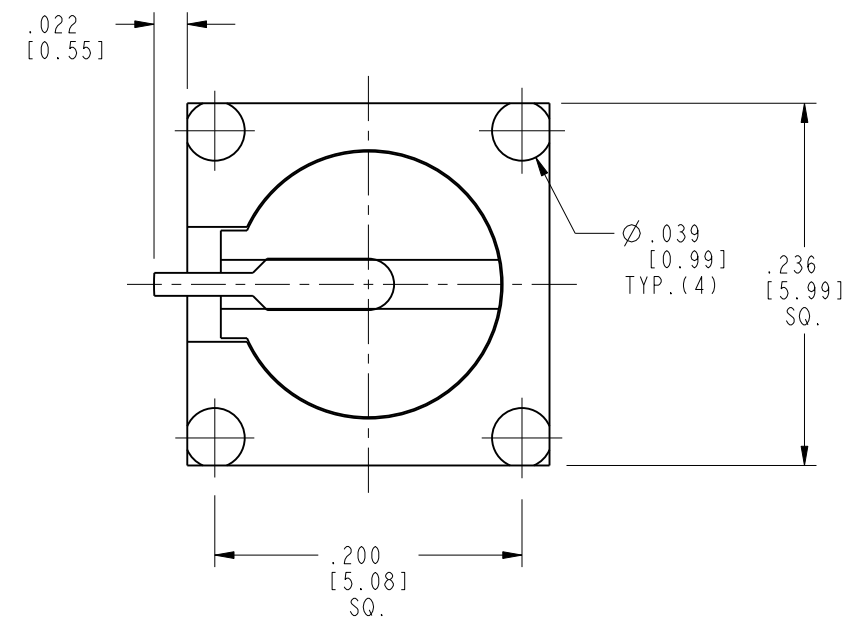
INTERFACE PER
MIL-STD-348
SMP SMOOTH BORE



SCALE 4.000



**RECOMMENDED PCB
PAD LAYOUT**



CUSTOMER OUTLINE DRAWING

ALL OTHER SHEETS ARE FOR INTERNAL USE ONLY

UNLESS OTHERWISE SPECIFIED, DIMENSIONS ARE IN INCHES AND TOLERANCES ARE:
 2 PLACE DECIMAL 3 PLACE DECIMAL ANGLES
 ±.015 (0.381 mm) ±.005 (0.127 mm) ± 1°

NOTICE - These drawings, specifications, or other data (1) are, and remain the property of Amphenol corp. (2) must be returned upon request; and (3) are confidential and not to be disclosed to any person other than those to whom they are given by Amphenol Corp. the furnishing of these drawings, specifications, or other data by Amphenol Corp., or to any other person for any purpose is not to be regarded by implication or otherwise in any manner licensing, granting rights to permitting such holder or any other person to manufacture, use or sell any product, process or design, patented or otherwise, that may in any way be related to or disclosed by said drawings, specifications, or other data.

MATERIAL	DRAWN T. DENG	DATE 07-Nov-12	TITLE SMP JACK, PIN CONTACT PCB RECEPTACLE SMOOTH BORE		Amphenol RF www.amphenolrf.com
REFERENCE EAR # 283	ENGINEER H. PARIKH	DATE 23-Oct-12	SCALE: 8.0:1.0 SHEET 2 OF 2		
CONFIGURATION LEVEL:	APPROVED S. HSIEH	DATE 07-Nov-12	DWG SIZE B	REV C	DRAWING NO. SMP-MSSB-PCT-1
FINISH	CAD FILE				ITEM NO. SMP-MSSB-PCT-1
					PART NO. SMP-MSSB-PCT-1