

6

5

4

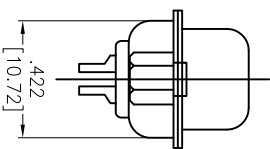
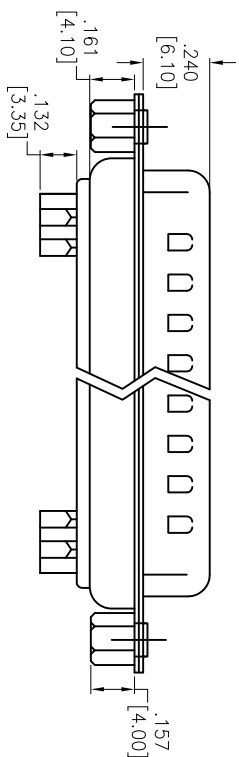
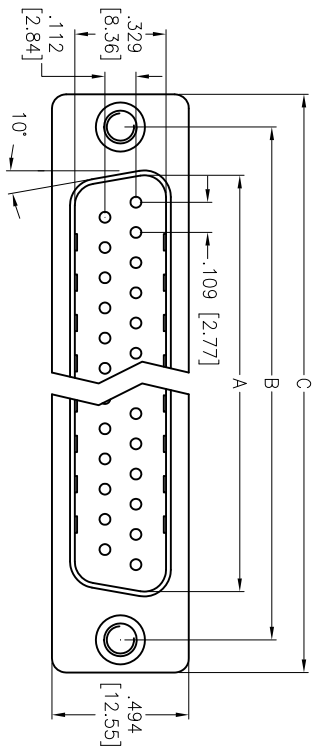
3

2

1

APPROVED: _____
 DATE: _____ TITLE: _____

Rev	AWO #	Description	Date	Appr
-		RELEASED	4/28/05	
A		REDRAWN	01/28/13	
B		REVISED DIM.	2/26/14	AY



DXXX	NO. OF CONTACTS	DIMENSIONS		
		A	B	C
DE09	9	.666 [16.92]	.984 [24.99]	1.213 [30.81]
DA15	15	.994 [25.25]	1.312 [33.32]	1.541 [39.14]
DB25	25	1.534 [38.96]	1.852 [47.04]	2.088 [53.04]
DC37	37	2.182 [55.42]	2.500 [63.50]	2.729 [69.32]

ADAM TECH

909 Rahway Avenue, Union, NJ 07083
 Phone: 908-687-5000 Fax: 908-687-5710

TITLE: D-SUB PLUG, SOLDER CUP RIVETED #4-40 CLINCH NUTS

SPECIFICATIONS:
 Material: Insulator: PBT, glass reinforced, rated UL 94V-0
 Insulator color: Black
 Contacts: Copper Alloy
 Shell: Steel, Tin plated
 Hardware: Brass, Nickel plated
 Plating: Gold flash over Nickel underplate overall
 Electrical: Operating voltage: 250 VAC max
 Current rating: 3 Amps max
 Contact resistance: 20 mohms max
 Insulation resistance: 1,000 Mohms min
 Dielectric withstanding voltage: 1,000 VAC for 1 minute
 Environmental: Lead free, RoHS compliant

UNLESS OTHERWISE SPECIFIED ALL DIMENSIONS ARE INCHES [MM]		TOLERANCES: EXCEPT AS NOTED INCHES		HOLE SIZES	
.X	± .10	ØX	± .10		
.XX	± .020	ØXXX	± .015		
.XXX	± .015	ØXXX	± .010		
APPROVALS	DATE				
DRAWN	SS	4/28/05			
CHECKED					
APPROVED					
SIZE	PART NO.	DXXX-PD-SL	SCALE:	NTS	SHEET 1 OF 1
REF:	S00087T				

A

B

C

D

A

B

C

D

6

5

4

3

2

1

