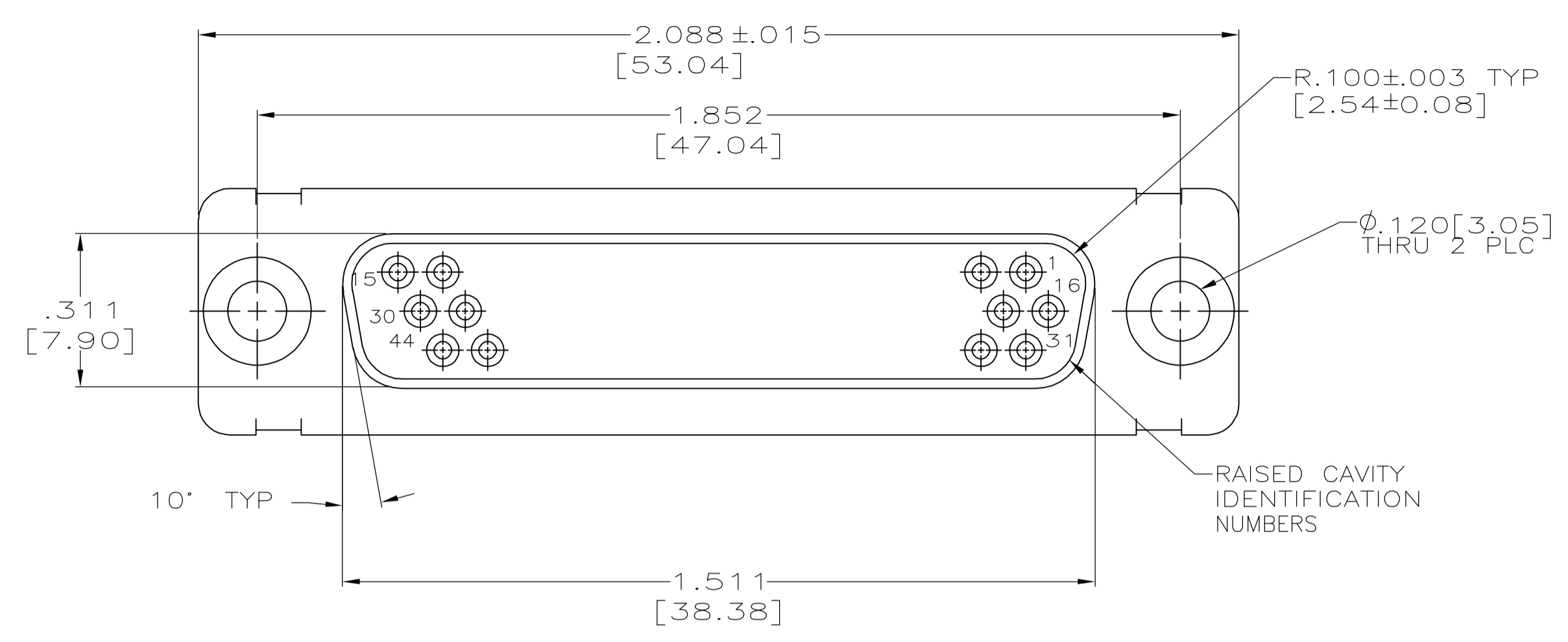
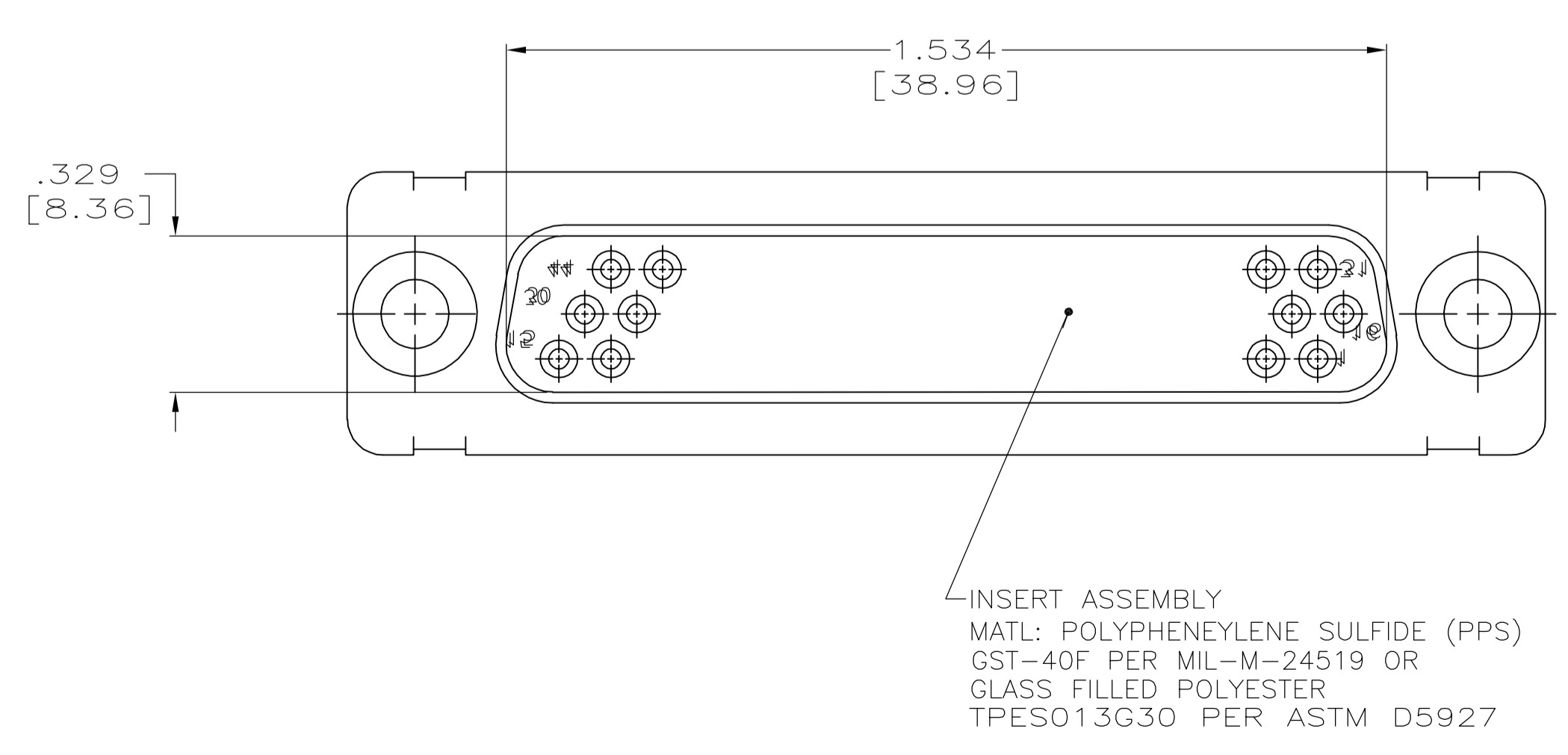
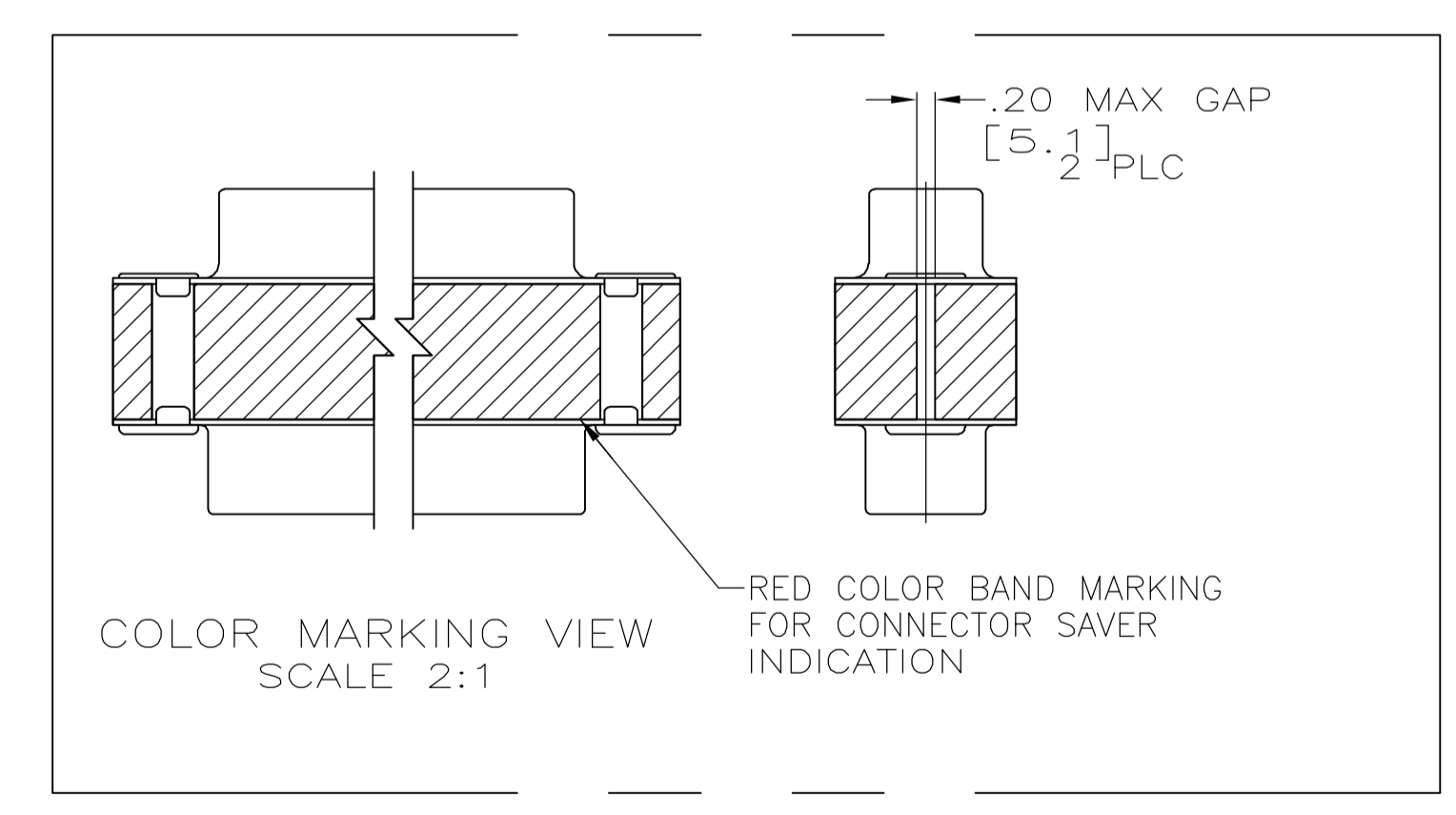
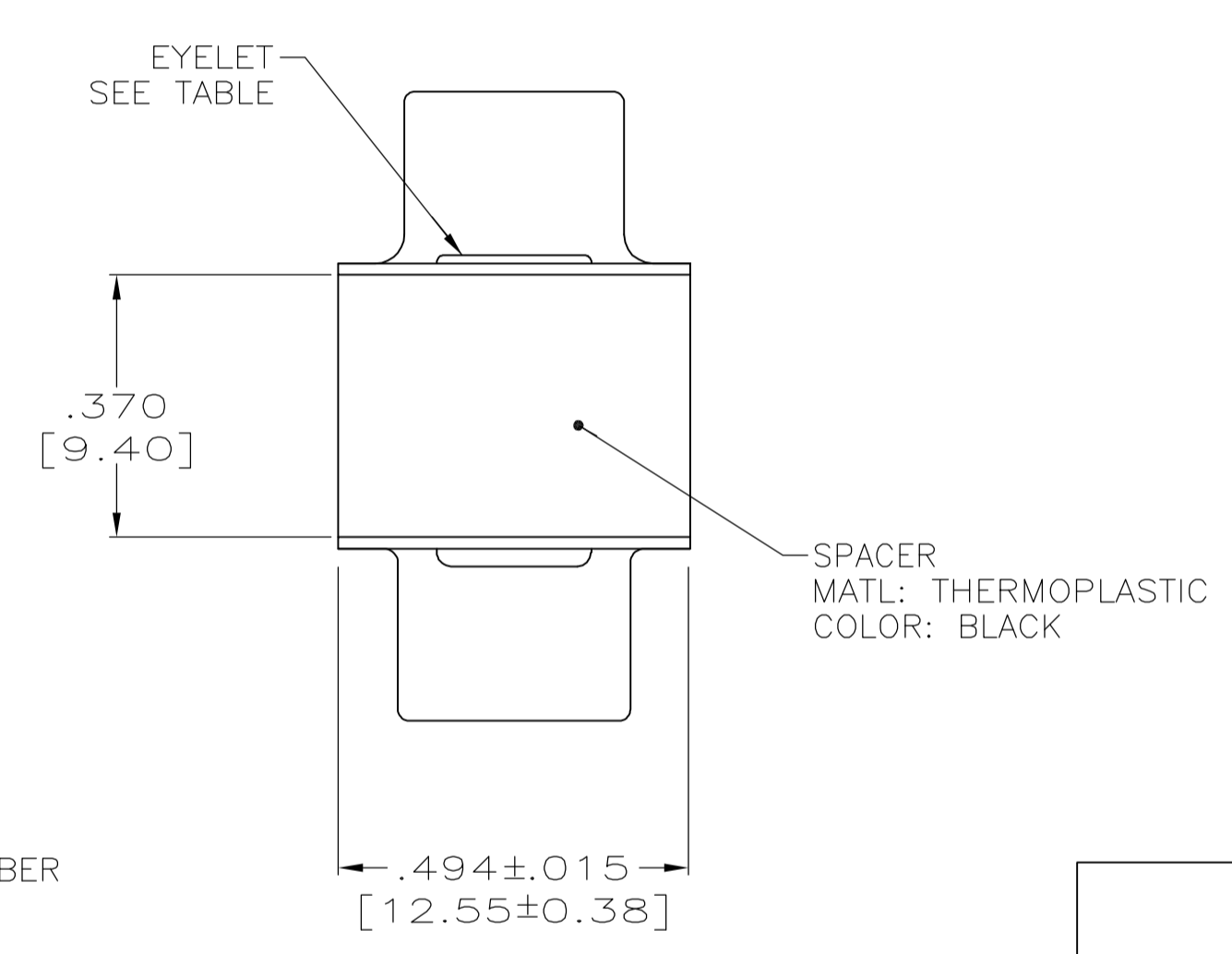
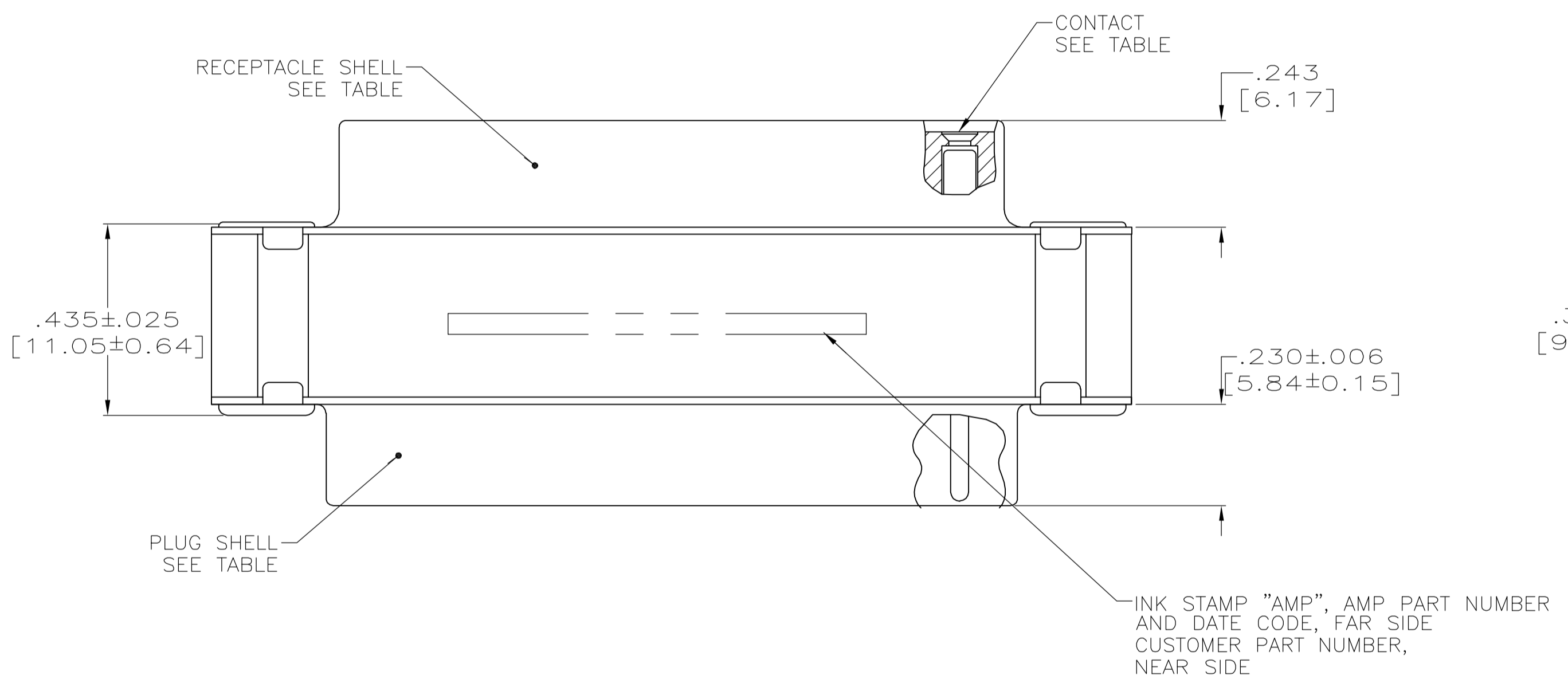


LOC		DIST		REVISIONS			
DF	DO	REV	DESCRIPTION	DATE	BY	APPV	
E		REV PER	ECO-06-006664	29MAR06	TK	CT	



- 1. CONTACTS INCLUDED IN ASSEMBLY.
- CONTACT
- BODY MATL: BERYLLIUM COPPER PER ASTM-B-197.
- BODY FINISH: PLATED GOLD, .000050 MIN THK PER MIL-G-45204 OVER NICKEL, .000050 MIN THK PER QQ-N-290.
- HOOD MATL: STAINLESS STEEL PER ASTM-A-167.
- HOOD FINISH: PASSIVATED PER ASTM-A-380.
- MATL: BRASS PER ASTM-B-36.
- FINISH: PLATED GOLD, .000050 MIN THK PER MIL-G-45204 OVER COPPER, .000100 MIN THK PER MIL-C-14550.



LOC	DIST	REV	DESCRIPTION	DATE	BY	APPV
3	4	2	4U884 SOCN R10002677-0008	1218310-2		
3	4	2	(1J02-008)	1218310-1		
EYELET	SHELLS	CONTACT	CUSTOMER P/N	PART NO.		

THIS DRAWING IS A CONTROLLED DOCUMENT.		DWG	T. THOMPSON	19AUG98	Tyco Electronics Corporation Harrisburg, PA 17105-3608			
DIMENSIONS: INCHES		CHK	J. NORTON	19AUG98				
TOLERANCES UNLESS OTHERWISE SPECIFIED:		APVD	J. NORTON	19AUG98	NAME AMPLIMITE CONNECTOR SAVER SERIES 90, SIZE 3, 44 POS NON-REMOVABLE CONTACTS			
0 PLC	± .005	PRODUCT SPEC						
1 PLC	± .005	APPLICATION SPEC			SIZE	CAGE CODE	DRAWING NO	RESTRICTED TO
2 PLC	± .005				A1	00779	1218310	
3 PLC	± .005(0.13)				CUSTOMER DRAWING			
4 PLC	± .005				SCALE	4:1	SHEET	1 OF 1
ANGLES	± .005				REV E			
MATERIAL		FINISH						