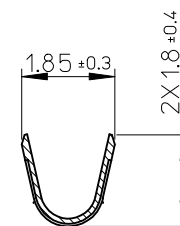
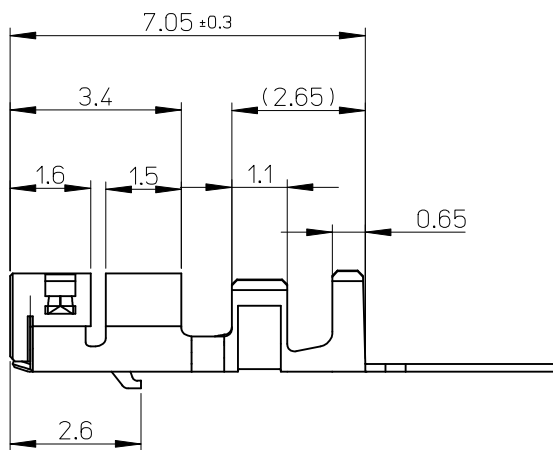
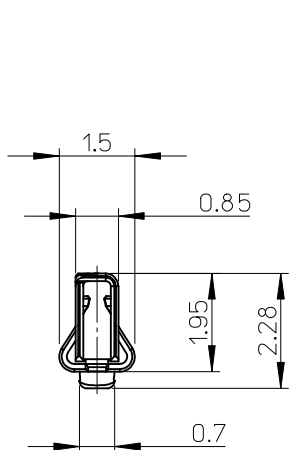
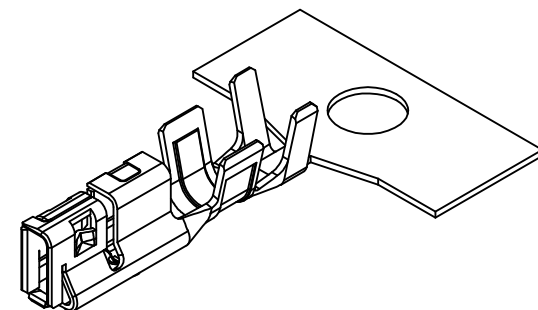
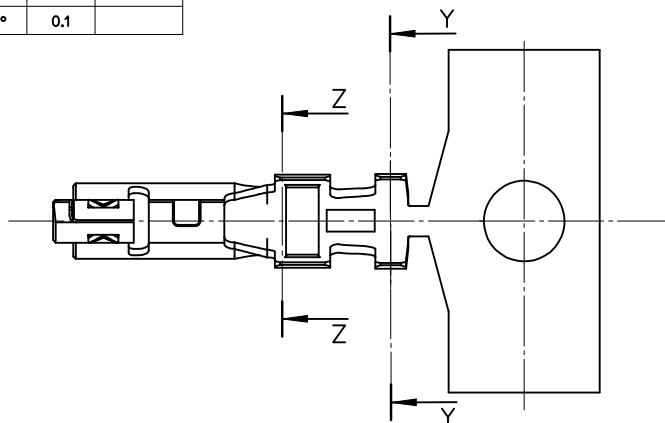
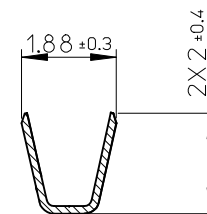


GENERAL TOLERANCE										USED ON
10 MAX	30 MAX	50 MAX	70 MAX	100 MAX	120 MAX	250 MAX	250 OVR	ANGLE	ECCENT	
±0.15	±0.20	±0.30	±0.40	±0.50	±0.75	±0.90	±1.4	±0.5°	0.1	



SECTION Z-Z



SECTION Y-Y

NOTES:

1. MATERIAL : CORSON ALLOY, PRE-TIN, 0.15T
2. APPLICABLE HOUSING : 560123-0*00
3. APPLICABLE WIRE: AVSS 0.35Q, FLY-A WIRE 0.35SQ
4. GENERAL TOLERANCES : SEE TABLE
5. ELV AND RoHS COMPLIANT
6. PRODUCT SPECIFICATION: PS-560123-001
7. PACKING SPECIFICATION: PK-560124-001
8. CRIMP SPECIFICATION: CS-560124-001



NEW RELEASE EC NO: KTR2015-0094 DRWN: YIBA EK 2015/04/18 CHKD: APPR: JYCH01 2015/04/27	QUALITY SYMBOLS	GENERAL TOLERANCES (UNLESS SPECIFIED)	DIMENSION STYLE	SCALE	DESIGN UNITS	THIRD ANGLE PROJECTION														
	= 0 = 0	<table border="1"> <thead> <tr> <th></th> <th>mm</th> <th>INCH</th> </tr> </thead> <tbody> <tr> <td>4 PLACES</td> <td>± ---</td> <td>± ---</td> </tr> <tr> <td>3 PLACES</td> <td>± ---</td> <td>± ---</td> </tr> <tr> <td>2 PLACES</td> <td>± ---</td> <td>± ---</td> </tr> <tr> <td>1 PLACE</td> <td>± ---</td> <td>± ---</td> </tr> </tbody> </table>		mm	INCH	4 PLACES	± ---	± ---	3 PLACES	± ---	± ---	2 PLACES	± ---	± ---	1 PLACE	± ---	± ---	MM ONLY	5:1	METRIC
	mm	INCH																		
4 PLACES	± ---	± ---																		
3 PLACES	± ---	± ---																		
2 PLACES	± ---	± ---																		
1 PLACE	± ---	± ---																		

DRAWN BY	DATE	TITLE
YIBA EK	2014/07/03	NEW 2.0 W/B CRIMP REC DURACLIC™ ISL SERIES
CHECKED BY	DATE	
APPROVED BY	DATE	
SRTAK	2014/08/26	
MATERIAL NO.	DOCUMENT NO.	
SEE TABLE	SD-560124-001	

SIZE	THIS DRAWING CONTAINS INFORMATION THAT IS PROPRIETARY TO MOLEX INCORPORATED AND SHOULD NOT BE USED WITHOUT WRITTEN PERMISSION
A3	

ORDER NO	MATERIAL NO
560124-0101	5601240101
MOLEX INCORPORATED	
SD-560124-001	
SHEET NO. 1 OF 1	