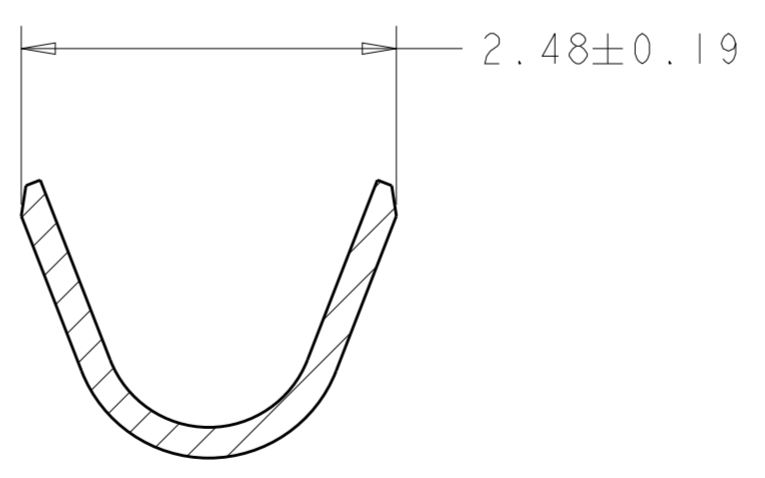
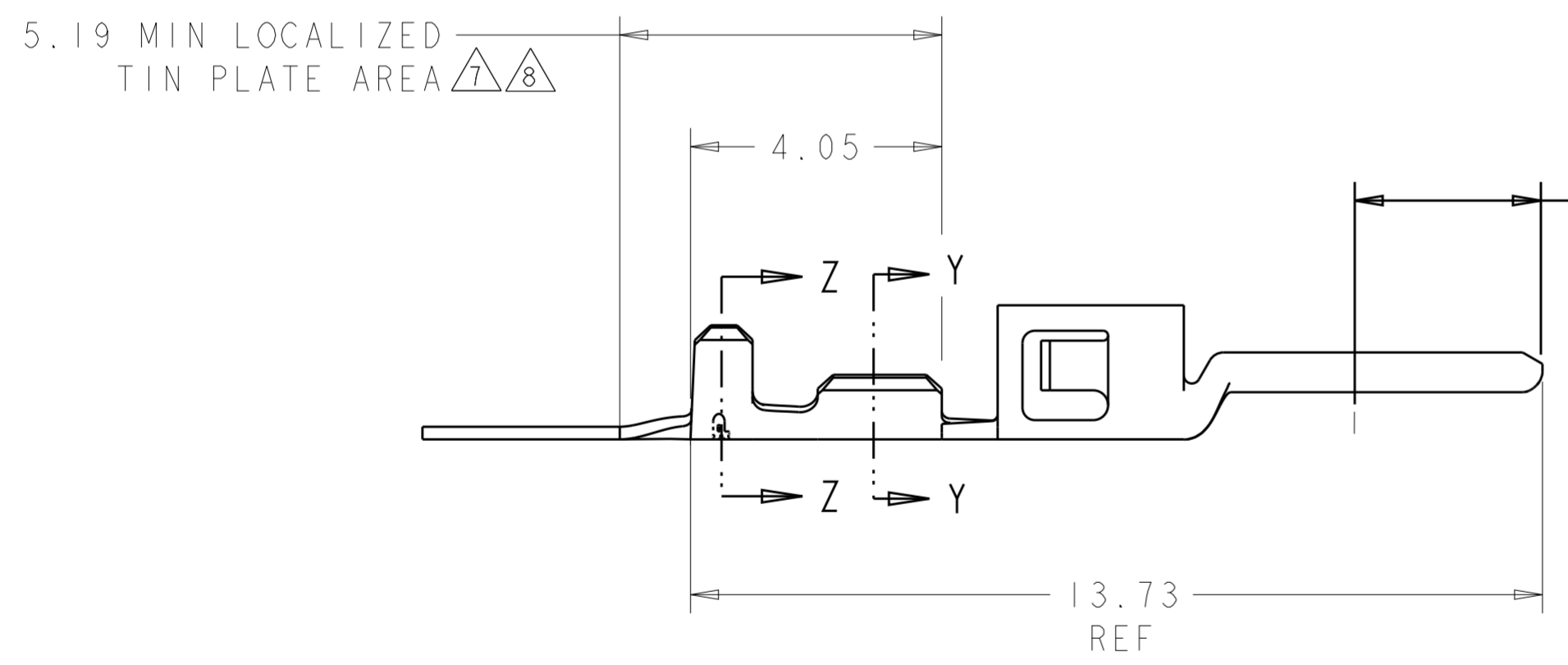
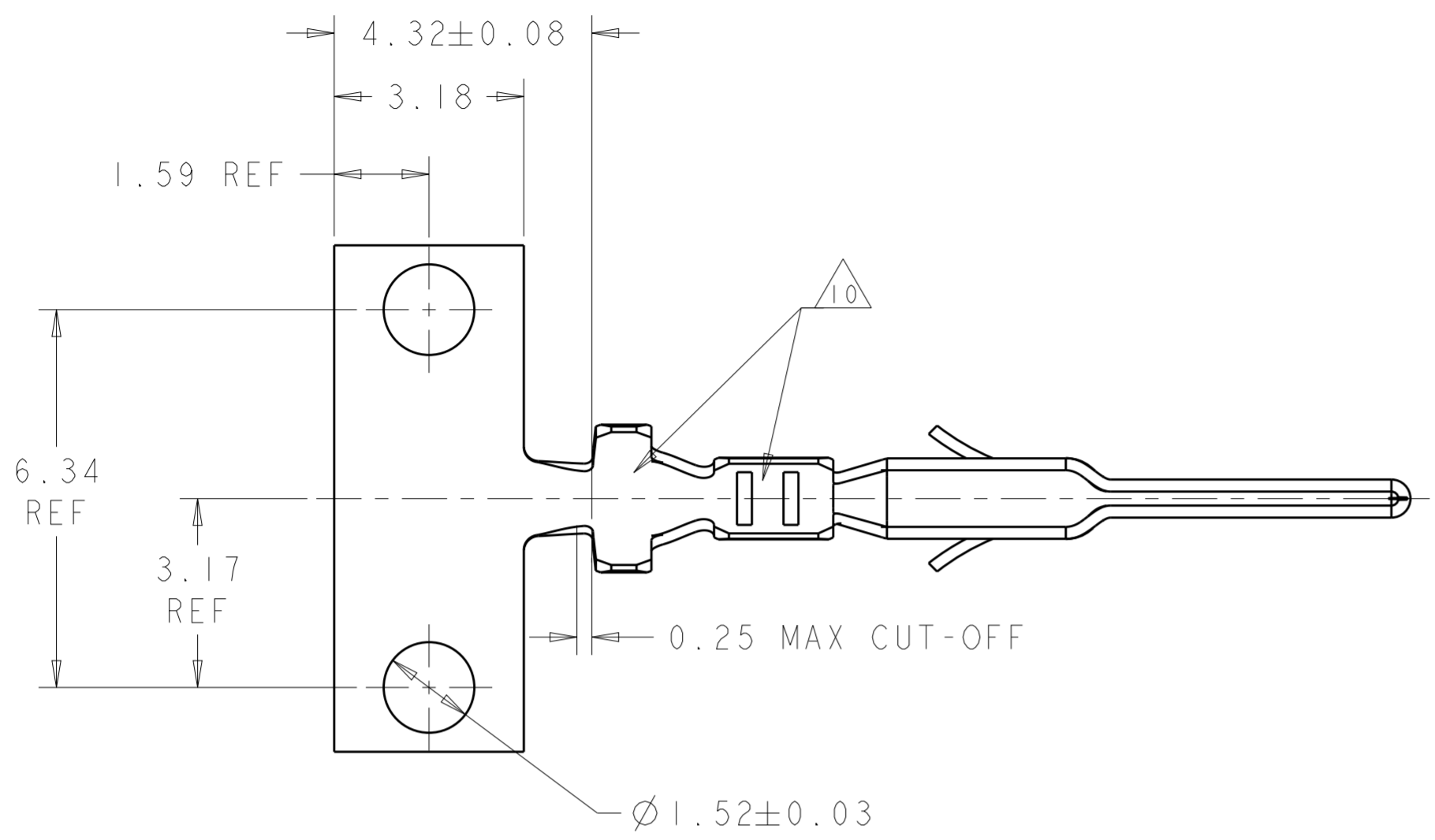
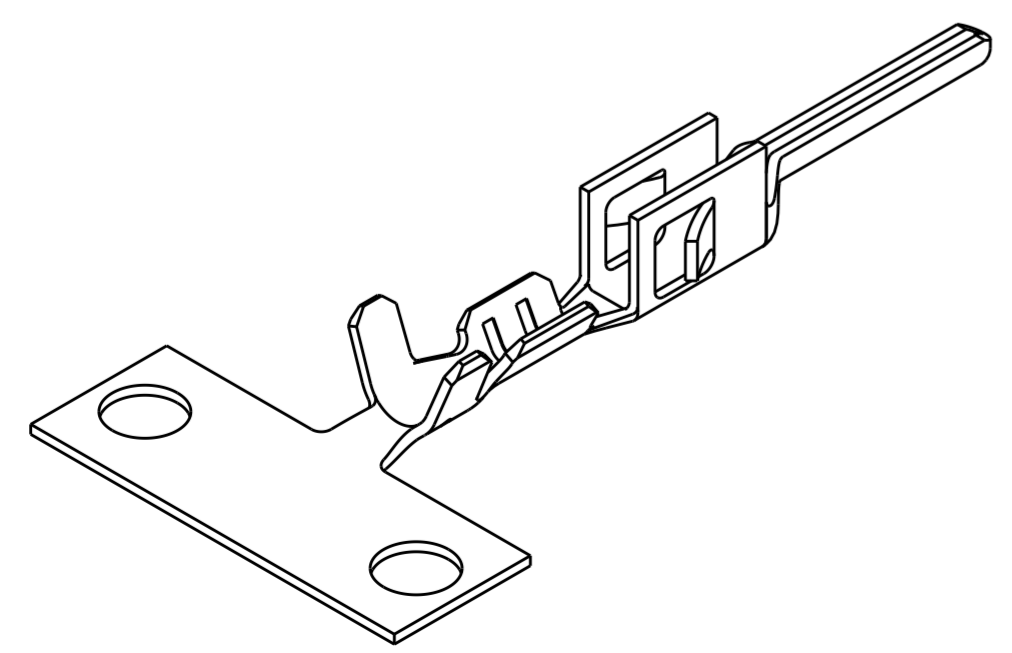


THIS DRAWING IS UNPUBLISHED. RELEASED FOR PUBLICATION 20  
 © COPYRIGHT 20 BY - ALL RIGHTS RESERVED.

REVISIONS				
P	LTR	DESCRIPTION	DATE	APVD
D	I	REVISED PER ECO-19-013973	16SEP2019	RS WLS
E		REVISED PER ECO-20-013993	01OCT2020	WLS VS



- △1 2.54-6.35 μm MIN BRIGHT TIN/LEAD ENTIRE STOCK OVER 1.27-3.81 μm MIN NICKEL ENTIRE STOCK.
- △2 0.38 μm MIN GOLD IN LOCALIZED GOLD PLATE AREA, 2.54-6.35 μm MIN BRIGHT TIN/LEAD IN LOCALIZED TIN/LEAD PLATE AREA, BOTH OVER 1.27-3.81 μm MIN NICKEL ON ENTIRE STOCK.
- △3 0.76 μm MIN GOLD IN LOCALIZED GOLD PLATE AREA, 2.54-6.35 μm MIN BRIGHT TIN/LEAD IN LOCALIZED TIN/LEAD PLATE AREA, BOTH OVER 1.27-3.81 μm MIN NICKEL ON ENTIRE STOCK.
- 4. WIRE RANGE 26-30 AWG.
- 5. INSULATION RANGE 0.89-1.52
- △6 2.54-6.35 μm MIN BRIGHT TIN ENTIRE STOCK OVER 1.27-3.81 μm MIN NICKEL ENTIRE STOCK.
- △7 0.38 μm MIN GOLD IN LOCALIZED GOLD PLATE AREA, 2.54-6.35 μm MIN BRIGHT TIN IN LOCALIZED TIN PLATE AREA, BOTH OVER 1.27-3.81 μm MIN NICKEL ON ENTIRE STOCK.
- △8 0.76 μm MIN GOLD IN LOCALIZED GOLD PLATE AREA, 2.54-6.35 μm MIN BRIGHT TIN IN LOCALIZED TIN PLATE AREA, BOTH OVER 1.27-3.81 μm MIN NICKEL ON ENTIRE STOCK.
- △9 NOTE DELETED.
- △10 TIN PLATING THICKNESS INSIDE WIRE AND INSULATION BARRELS TO BE 1.27 μm MIN.



	△8	1-794609-2
	△7	1-794609-1
	△6	1-794609-0
SUPERSEDED BY	△3	794609-3
SUPERSEDED BY	△2	794609-2
SUPERSEDED BY	△1	794609-1
REMARKS	FINISH	PART NUMBER

THIS DRAWING IS A CONTROLLED DOCUMENT.		DWN W J RUDY 29AUG2000	TE Connectivity	
DIMENSIONS: mm		CHK W DAVIS 29AUG2000		
TOLERANCES UNLESS OTHERWISE SPECIFIED:		APVD W DAVIS 29AUG2000	NAME PLUG CONTACT, CRIMP SNAP, 26-30 AWG, MICRO MATE-N-LOK(TM)	
0 PLC ±	1 PLC ±	PRODUCT SPEC 108-1836	SIZE CAGE CODE DRAWING NO RESTRICTED TO	
2 PLC ±0.13	3 PLC ±	APPLICATION SPEC 114-13000	A200779 C-794609	
4 PLC ±	ANGLES ±	WEIGHT -	SCALE 10:1 SHEET OF REV E	
MATERIAL 0.20 THK BRASS	FINISH -	CUSTOMER DRAWING		