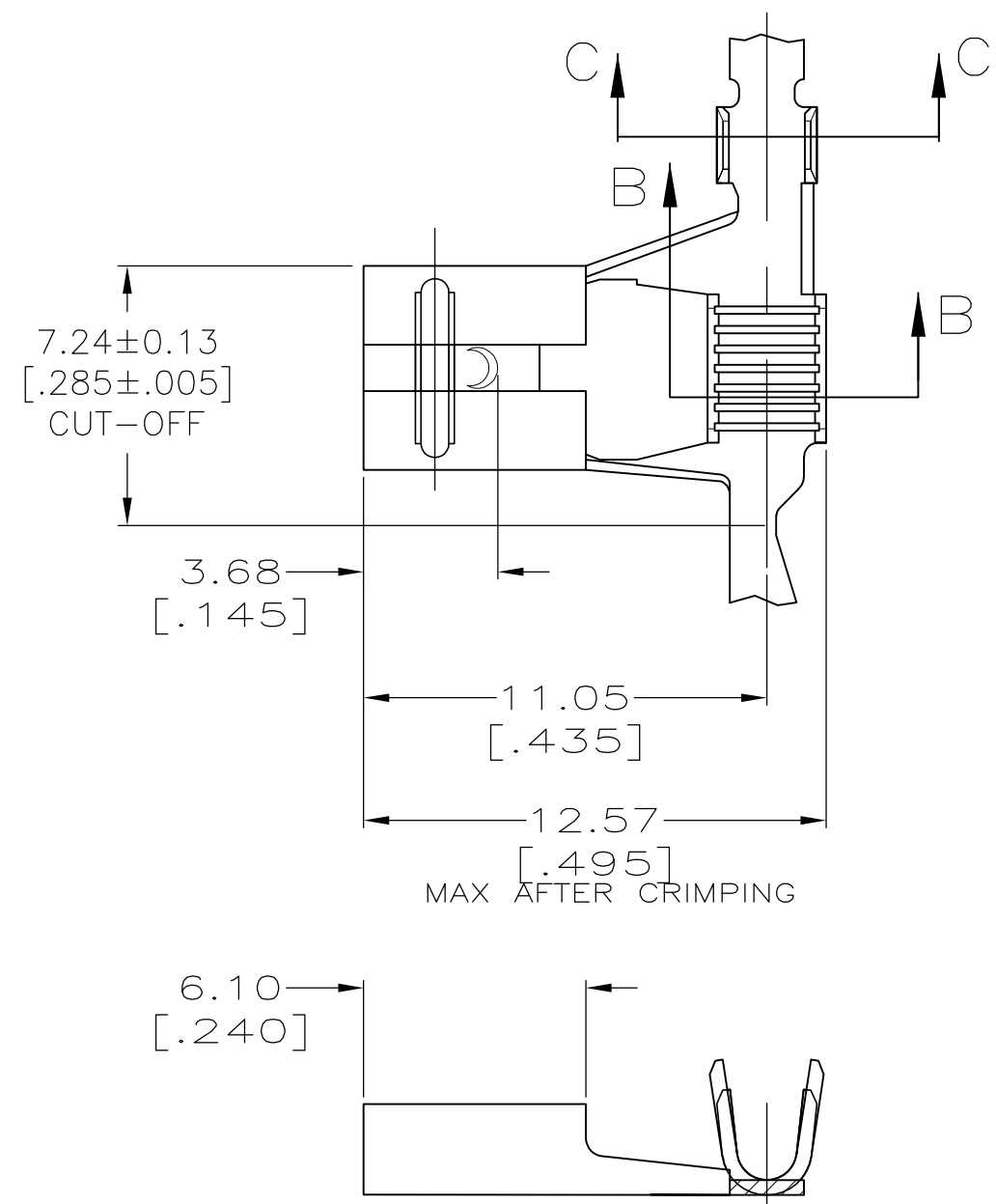
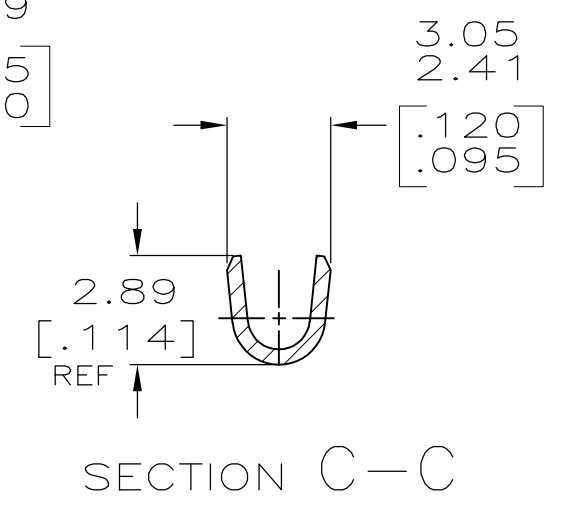
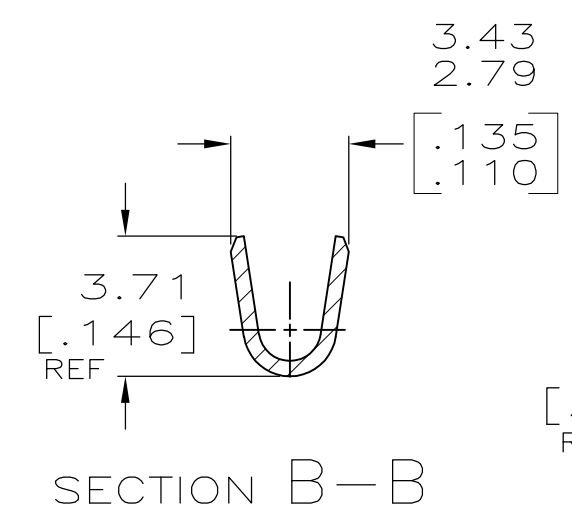
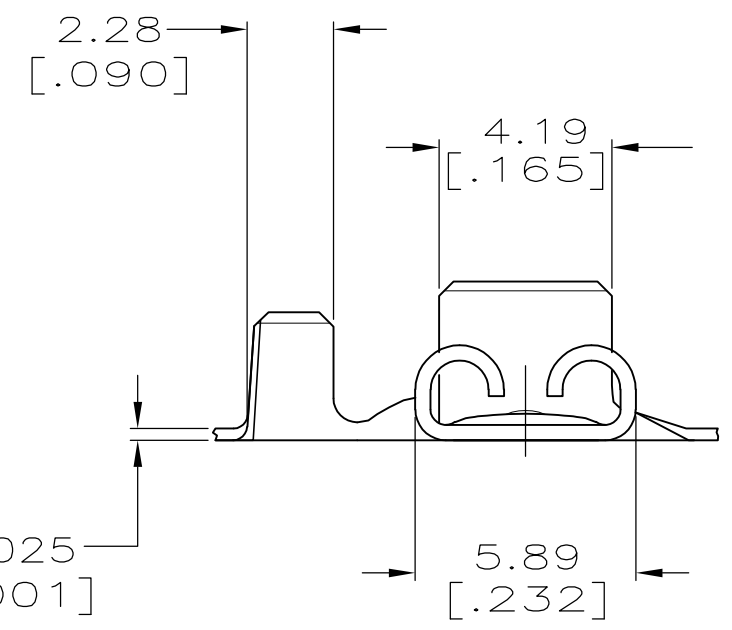


THIS DRAWING IS UNPUBLISHED. RELEASED FOR PUBLICATION
 © COPYRIGHT - By TYCO ELECTRONICS CORPORATION. ALL RIGHTS RESERVED.

LOC	DIST	REVISIONS					
AF	50	P	LTR	DESCRIPTION	DATE	DWN	APVD
			H	REVISE PER ECR-13-013738	15FEB2014	GRZ	JL



- 1 CONTINUOUS STRIP ON REELS.
- 2 ACCEPTS MAGNET WIRE RANGES 2000-4050 CMA.
- 3 MATING TAB THK TO BE 0.51±0.025 [.020±.001].
- △4 0.002032 [.000080] MIN TIN



63940-1
PART NO.

THIS DRAWING IS A CONTROLLED DOCUMENT.		DWN	JR RUTH	9/30/96	TE Connectivity RECEPTACLE, FASTON, FLAG, AMPLIVAR, 4.75 [.187] SERIES				
DIMENSIONS: mm		CHK	MS FEHER	9/30/96					
TOLERANCES UNLESS OTHERWISE SPECIFIED:		APVD	P DESANTIS	9/30/96					
0 PLC ± - 1 PLC ± - 2 PLC ± 0.25 [.010] 3 PLC ± - 4 PLC ± - ANGLES ± -		PRODUCT SPEC	-						
MATERIAL	BRASS	FINISH	△4		APPLICATION SPEC	-			
		WEIGHT	-		SIZE	A3	CAGE CODE	00779	
		CUSTOMER DRAWING			DRAWING NO	C-63940		RESTRICTED TO	-
		SCALE	5:1		SHEET	1 OF 1		REV	H