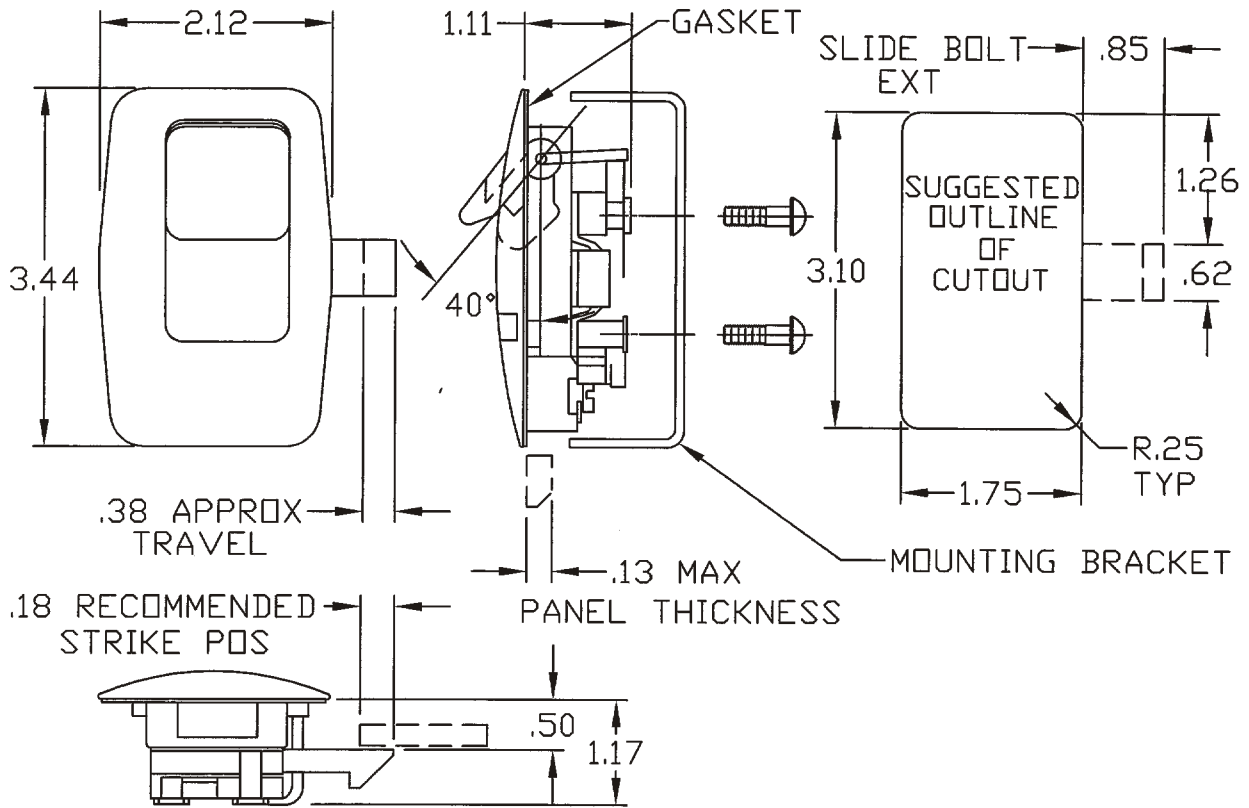


1. PART NUMBER AND CHARACTERISTICS



TE Part No	Rev	Type	Mfr Part No
986075-1	C	Non-Locking	ECL-730-P8-MB
986075-2	C	Key Locking	ECL-730-KP8-MB

- 1.1. All dimensions are nominal unless otherwise specified
 - 1.2. Type: Eclipse® series
 - 1.3. Material: paddle handle & housing - high-strength, UV stabilized thermoplastic
metal stampings & fasteners - 300 series stainless steel
key cylinder (-2 only) - die-cast zinc
2. RECOMMENDED MANUFACTURER
Eberhard Manufacturing Company
www.eberhard.com
or Tyco Electronics Engineering approved equivalent.

COMMERCIAL ITEM SPECIFICATION		MATERIAL							
		See Note 1.3.							
© 2009 Tyco Electronics Corporation, Harrisburg, PA All International Rights Reserved		FINISH			DIMENSIONS IN INCHES	NO	REV	LOC	DIST
		Matte Black							
				TITLE					
				LATCH, PADDLE HANDLE					
C	ECR 09-022330	JNB	12OCT09	SHEET 1 OF 1					
REV	ENGINEERING CHANGE	CHK	DATE						