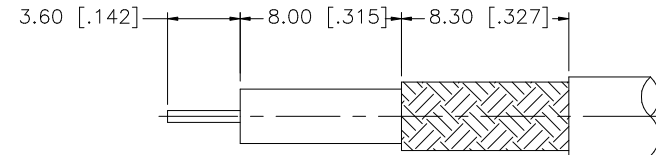
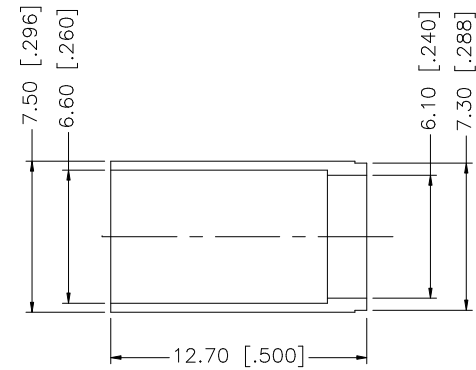
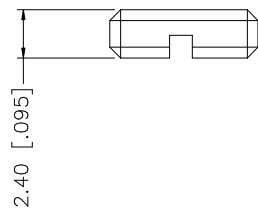
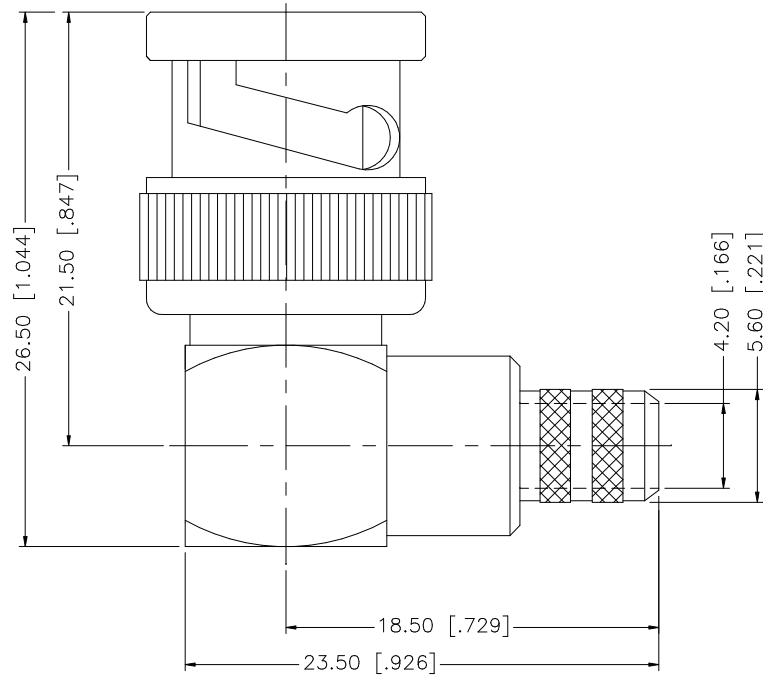


REV.	DATE	DESCRIPTION
NC	06/11/00	INITIAL RELEASE
A	08/17/06	UPDATE DRAWING FORMAT



RECOMMENDED  
CABLE STRIPPING DIM'S

CRIMP NOTES:

1. CRIMPED FERRULE HEX CRIMP SIZE .255"
2. CENTER CONTACT TO SOLDER.

8				
7				
6				
5	FERRULE	COPPER	NICKEL	1
4	COVER	BRASS	NICKEL	1
3	CONTACT PIN	BRASS	GOLD	1
2	INSULATOR	TEFLON	NATURAL	1
1	BODY	BRASS	NICKEL	1
	DESCRIPTION	MATERIAL	FINISH	QTY

UNLESS OTHERWISE SPECIFIED DIMENSIONS ARE IN MILLIMETERS. DIMENSIONS IN [ ] ARE IN INCHES AND FOR CUSTOMER REFERENCE ONLY.

UNLESS OTHERWISE SPECIFIED TOLERANCES FOR MILLIMETERS ARE:  
0.5 - 8mm ± 0.20mm  
8 - 30mm ± 0.40mm  
30 - 120mm ± 0.50mm

UNLESS OTHERWISE SPECIFIED TOLERANCES FOR INCHES ARE:  
.020 - .315 = ± 0.007"  
.315 - 1.180 = ± 0.015"  
1.180 - 4.724 = ± 0.020"

DO NOT SCALE DRAWING

APPROVALS	DATE
DRAWN G.R.S.	08/17/06
CHECKED	
ISSUED	
SHEET 1 OF 1	
CAD FILE	C:/112/112961.DWG

# Amphenol Connex

PART DESCRIPTION

BNC R/A CRIMP PLUG  
(AT&T 734A CABLE)

PART NO.

112961

DWG. NO.

112961.DWG

REV. A

SIZE A

SCALE NA