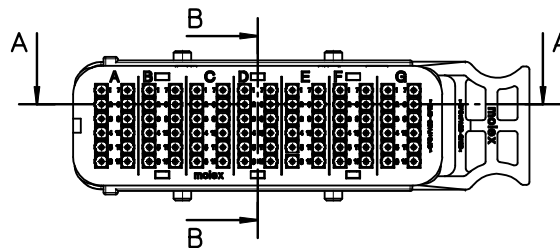
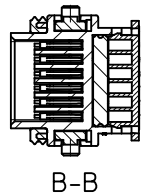
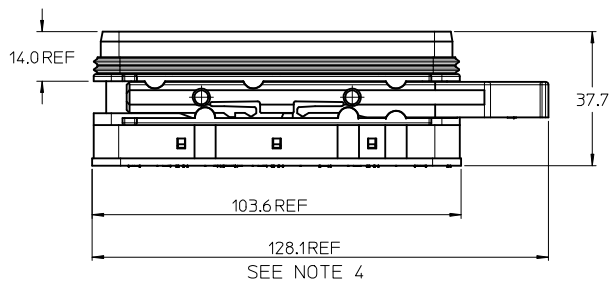
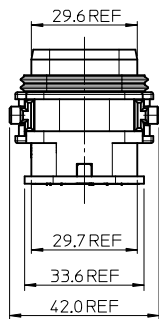
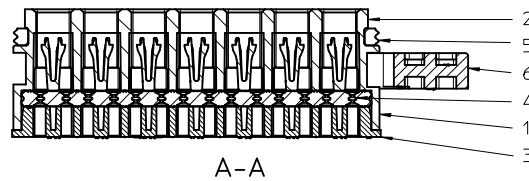
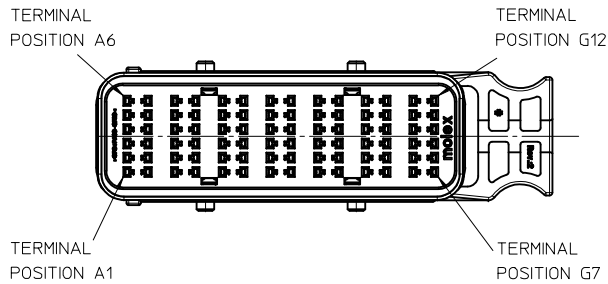
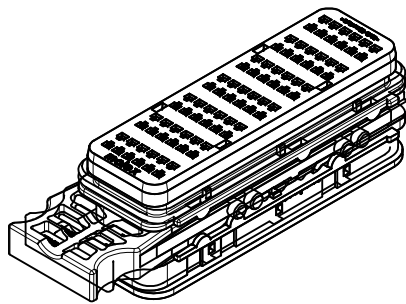
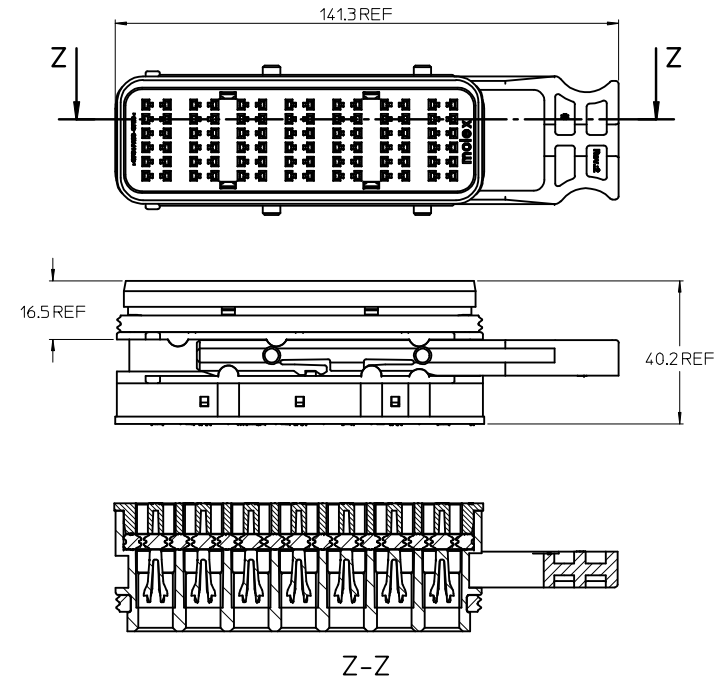


TPA IN FULL-LOCK (AS SHIPPED) POSITION
AND LATCH IN PARTIALLY OPEN POSITION



TPA IN PRE-LOAD POSITION
AND LATCH IN OPEN POSITION



NOTES:

1. MATERIALS: HOUSING: POLYSTYRENE/NYLON BLEND, GLASS FILLED, UL 94 HB
SEALS: SILICONE RUBBER
2. MX150 RECEPTACLE TERMINALS PER SD-33012-002 TO BE USED WITH THIS ASSEMBLY
CRIMPED WITH CABLE INSULATION OUTER DIAMETER IN THE RANGE 1.5mm to 2.7mm
3. PRODUCT SPECIFICATION: PS-85070-001
4. PACKAGING SPECIFICATION: PK-85070-001, LATCH SHIPPED IN PARTIALLY OPEN POSITION
5. MATES WITH: SRC BLADE HOUSING ASSEMBLY PART NUMBER 850710100 PER SD-85071-100
6. APPLICATION SPECIFICATION: 850700001 PSA
7. CONDUIT INTERFACE OPTIONS: REFER TO 934811000 PSD

| No. | DESCRIPTION | QTY. | COLOUR |
|------------------|--------------------|------|------------|
| 6 | SLIDING LATCH | 1 | BLACK |
| 5 | FEMALE FRONT SEAL | 1 | RED |
| 4 | FEMALE BACK SEAL | 1 | LIGHT BLUE |
| 3 | FEMALE REAR COVER | 1 | BLACK |
| 2 | FEMALE FRONT COVER | 1 | BLACK |
| 1 | FEMALE HOUSING | 1 | BLACK |
| BILL OF MATERIAL | | | |

| UPDATE TO NOTES | | QUALITY SYMBOLS | | GENERAL TOLERANCES (UNLESS SPECIFIED) | | DIMENSION STYLE | | SCALE | DESIGN UNITS | THIRD ANGLE PROJECTION | |
|-----------------|--|-----------------|-------|---------------------------------------|------|-----------------|--|-------|--------------|---|---------------------------|
| REV | DESCRIPTION | SYMBOL | VALUE | mm | INCH | MM ONLY | TITLE | 1:1 | METRIC | THIRD ANGLE PROJECTION | |
| 1 | EC NO: IPG2016-105Z DRWN: J WALLACE 2016/02/05 CHKD: APPR: J WALLACE 2016/02/11 | ∇=0 | | | | | DRAWN BY: CSEBASTIAN DATE: 2007/07/27 | | | SRC FEMALE 84 PIN RECEPTACLE HOUSING ASSEMBLY | |
| | | ∇=0 | | | | | CHECKED BY: MMUELLER DATE: 2007/08/21 | | | MOLEX INCORPORATED | |
| | | | | | | | APPROVED BY: TREMHOF DATE: 2007/08/21 | | | MATERIAL NO. 850700500 | DOCUMENT NO. SD-85070-500 |
| | | | | | | | | | | SHEET NO. 1 OF 1 | |
| | | | | | | | | | | THIS DRAWING CONTAINS INFORMATION THAT IS PROPRIETARY TO MOLEX INCORPORATED AND SHOULD NOT BE USED WITHOUT WRITTEN PERMISSION | |