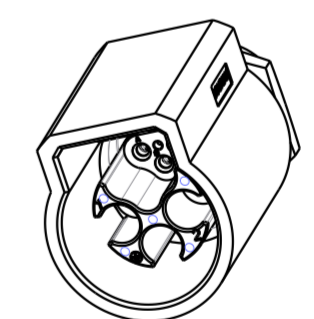
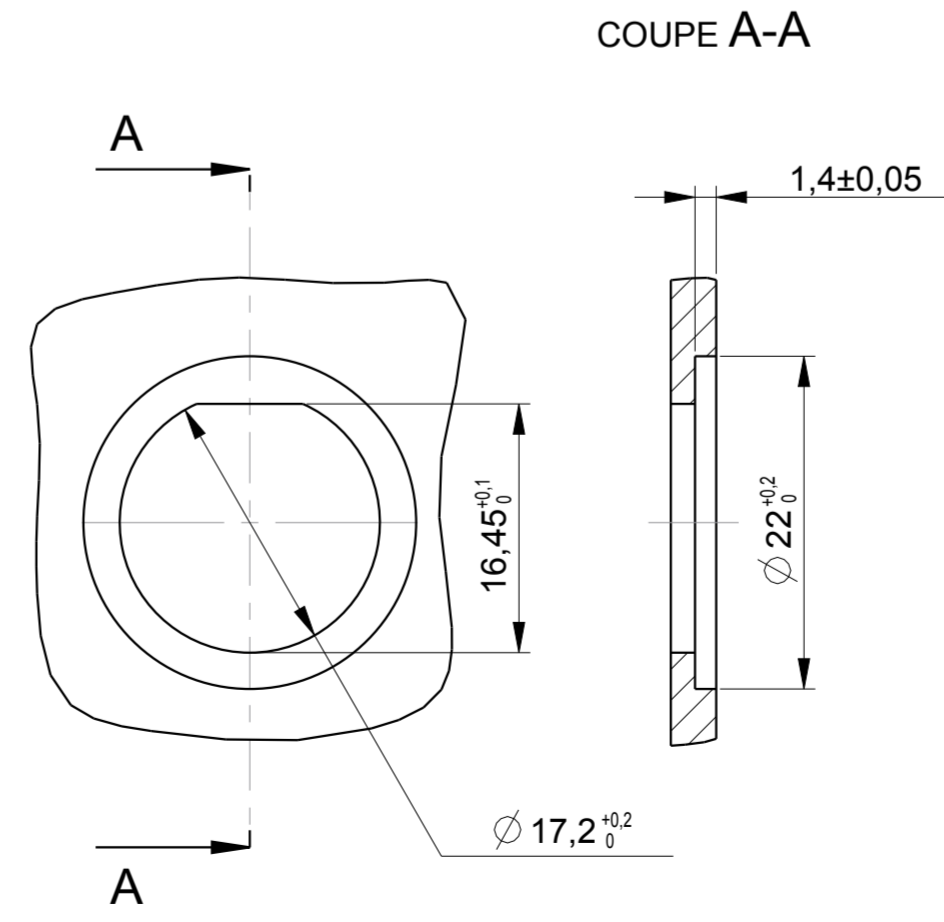
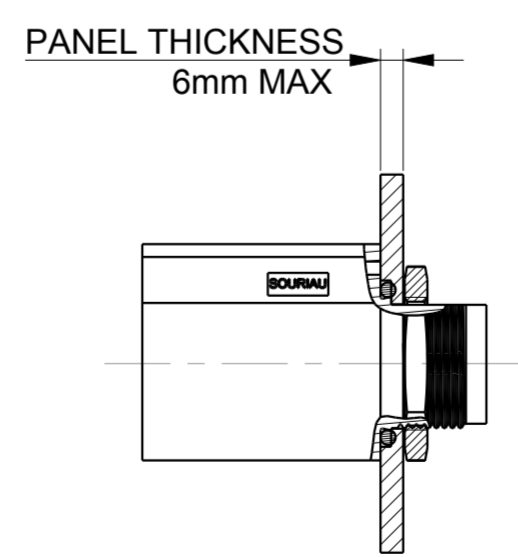
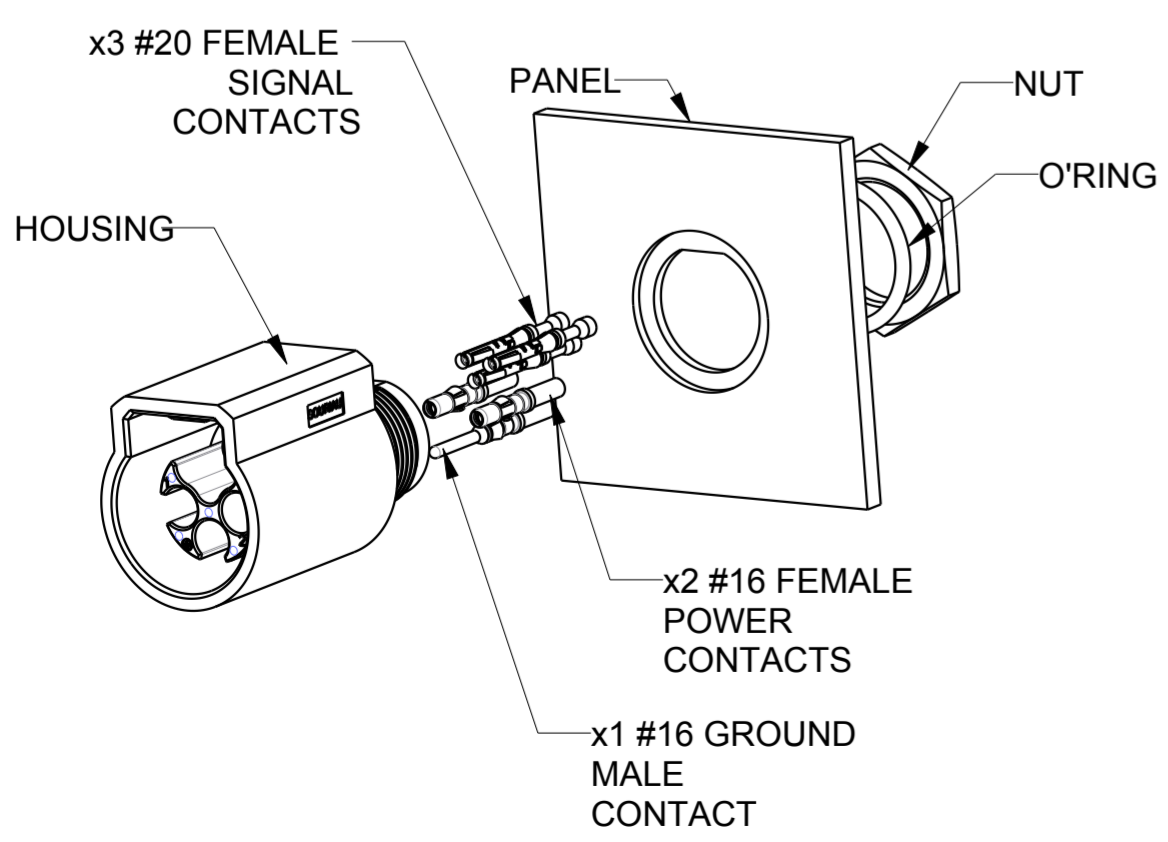


NOTES

MATERIALS	SEE TABLE
HOUSING	NEOPREN
O'RING	ALUMINIUM ALLOY BLACK ANODIZED
NUT	
PERFORMANCES CHARACTERISTICS	
MECHANICAL	
TEMPERATURE CLASS	IEC61984/UL1977 -40°C TO 105°C
DURABILITY	IEC61984 500 MATE / UNMATE CYCLES
SEALING IN MATED CONDITIONS	IEC60529 IP68 1BAR DURING 1WEEK
	DIN40050 IP69K
SEALING IN UNMATED CONDITIONS	IEC60529 IP67 WITH CAPS
POLLUTION DEGREE	IEC61984 4
CORROSION SALT SPRAY	IEC61984 MIN 1000H
FLAMMABILITY	UL94 MATERIAL RATING: 5VA
OUTDOOR SUITABILITY (UV RESIST)	UL746C MATERIAL RATING: (f1)
SCOOP PROOF	
ELECTRICAL	
TOUCH PROOF	IEC60529 IP2X
POWER AND GROUND LINES:	
NOMINAL CURRENT	UL1977 16A WITH AWG14 WIRE / 13A WITH AWG16 WIRE
NOMINAL CURRENT	IEC61984 16A WITH 2.5MM² WIRE / 13A WITH 1.5MM² WIRE AT 60°C
NOMINAL VOLTAGE	
NOMINAL VOLTAGE	UL1977 600V
	IEC61984 250VAC 4KV 4 FOR CLASS II
	IEC61984 500VAC 6KV 4 FOR CLASS I
SIGNAL CONTACT (a,b,c) LINES:	
NOMINAL VOLTAGE	IEC61984 48V AC
NOMINAL CURRENT	IEC61984 5A

- ROHS COMPLIANT
- COUNTERPART REFERENCE UTL PLUG
  - CONNECTORS ARE DELIVERED AS PRE-ASSEMBLED KIT
  - CONNECTOR BLOCKS ACCEPTS TRIM TRIO CONTACTS #16 AND #20, R\*M\* OR S\*M\* TYPES
  - CONTACTS TO BE ORDERED SEPARATELY.
  - WARNING: PHASE CONTACTS AND SIGNAL CONTACT ARE FEMALE VERSION AND GROUND CONTACT IS MALE VERSION
  - UNIT IN MM

P/N	HOUSING' S MATERIAL
UTL7102G1W3S	PA GF REINFORCED BLACK COLOR
UTL7102G1W3S03	PA GF REINFORCED LIGHT GREY COLOR



P/N : SEE TABLE			
C	06/03/2015	Clearances dimensions modification	23869
ISS	DATE	Latest modification - by:	MOD N°
		Designed by: RAGAINÉ M. Date:23/07/2013	COUTY L.
CUSTOMER DRAWING			
TITLE			
FEMALE RECEPTACLE SIZE 10 LAYOUT 6 CONTACTS			
UTL CONNECTOR			
Scale	1/1	General linear Tolerances: ± 0,2	NPRDS / PROJECT UTL
SOURIAU		WWW.SOURIAU.COM	This document is the property of SOURIAU It must not be reproduced or communicated without permission
FORMAT	SOURIAU DRG N° UTL1-0048A-C01		SHEET 1/1