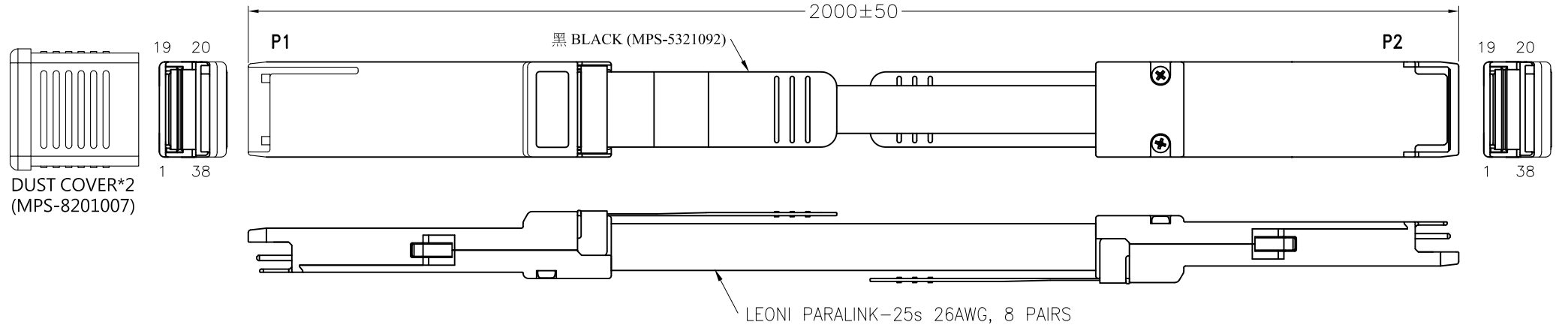


1	2	3	4	5	6	7	8	9
REV.	REMARK	DATE	SIGN.					

RoHS



**MATERIAL ROHS COMPLIANT:**

1.CABLE:  
 CONDUCTOR: 26AWG SOLID SILVER PLATED COPPER.  
 INSULATION: SKIN-FOAM-SKIN  
 PAIR: 2 WIRES, WH AND YE PARALLEL.  
**CORE: 8 PAIRS**  
 PAIR DRAIN WIRE:  $\phi 0.2$  mm (32AWG) TINNED COPPER.  
 PAIR SHIELD: ALUMINUM FOIL OVERLAPPED, APPLIED LONGITUDINALLY.  
 INNER SHIELD: ALUMINUM FOIL OVERLAPPED, APPLIED LONGITUDINALLY.  
 OUTER SHIELD: TINNED COPPER BRAID, 85% COVERAGE.  
**DIAMETER:  $9.0 \pm 0.3$  mm**  
 PRINT LEGEND: LEONI High Speed Cables ParaLink<sup>®</sup>-25s  
 100 $\Omega$  8pairs AWG26 E130266 SU AWM 20276  
 DIFFERENTIAL IMPEDANCE: 100 $\pm 5$  OHM.

2.CONNECTOR:  
 P1,P2: 4x-Pluggable-QSFP28  
 (1) P.C.B: 4 LAYERS, GOLD PLATING ON CONTACT PADS.(SPCB-040150A, AC Coupling)  
 (2) LATCH: STAINLESS STEEL WITH PULL TAB, COLOR: BLACK.(MPS-5321092)  
 (3) BACKSHELL: ZINC DIE CASTING HOOD/ NICKEL PLATING.  
 3.FOR 100GBASE-CR4 USE  
 4.TWO-WIRE SERIAL MEMORY: ATMEL AT24C02D EEPROM(256 BYTES),  
 DIGITAL MONITORING, CONTROL FUNCTION AND MEMORY PAGE NOT SUPPORTED.

UNICONN CORPORATION 科懋實業有限公司	DESC.	QSFP28 Passive Cable Assembly	APPROVED	CHECKED	DESIGNED	TOLERANCE	SCALE	*	UNIT	mm	
	P/N	UASS-RC008545	CUSTOMER P/N		Sino		DATE	02/13/'18	DWG NO:	DWG\RC\8545	

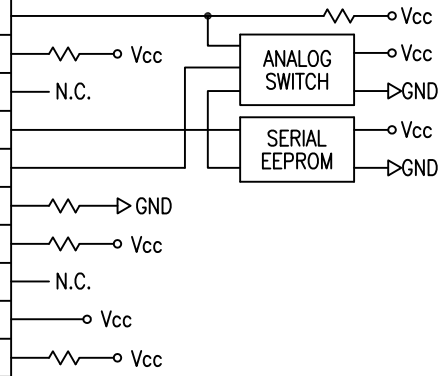
1	2	3	4	5	6	7	8	9
---	---	---	---	---	---	---	---	---

REV.	REMARK	DATE	SIGN.

### WIRING DIAGRAM

HIGH SPEED SIGNAL				
P1(QSFP28)			P2(QSFP28)	
PAD	SIGNAL	I/O	PAD	SIGNAL
02	TX2n	I	21	RX2n
03	TX2p	I	22	RX2p
05	TX4n	I	24	RX4n
06	TX4p	I	25	RX4p
14	RX3p	I	33	TX3p
15	RX3n	I	34	TX3n
17	RX1p	I	36	TX1p
18	RX1n	I	37	TX1n
21	RX2n	I	02	TX2n
22	RX2p	I	03	TX2p
24	RX4n	I	05	TX4n
25	RX4p	I	06	TX4p
33	TX3p	I	14	RX3p
34	TX3n	I	15	RX3n
36	TX1p	I	17	RX1p
37	TX1n	I	18	RX1n
GND GROUP	GND		GND GROUP	GND
GND GROUP 01,04,07,13,16,19 20,23,26,32,35,38			GND GROUP 01,04,07,13,16,19 20,23,26,32,35,38	
CONNECTOR SHELL			CONNECTOR SHELL	

LOW SPEED SIGNAL & POWER	
P1,P2(QSFP28)	
PAD	SIGNAL
08	ModSelL
09	ResetL
10	VccRx
11	SCL
12	SDA
27	ModPrsL
28	IntL
29	VccTx
30	Vcc1
31	LPMode



\*DC BLOCKING CAPS ON P1,P2 RX END.

	UNICONN CORPORATION	DESC. <b>QSFP28 Passive Cable Assembly</b>	APPROVED	CHECKED	DESIGNED	TOLERANCE	SCALE	*	UNIT	mm	
	科懋實業有限公司	P/N UASS-RC008545	CUSTOMER P/N			Sino		DATE	02/13/'18	DWG NO:	DWG\RC\8545