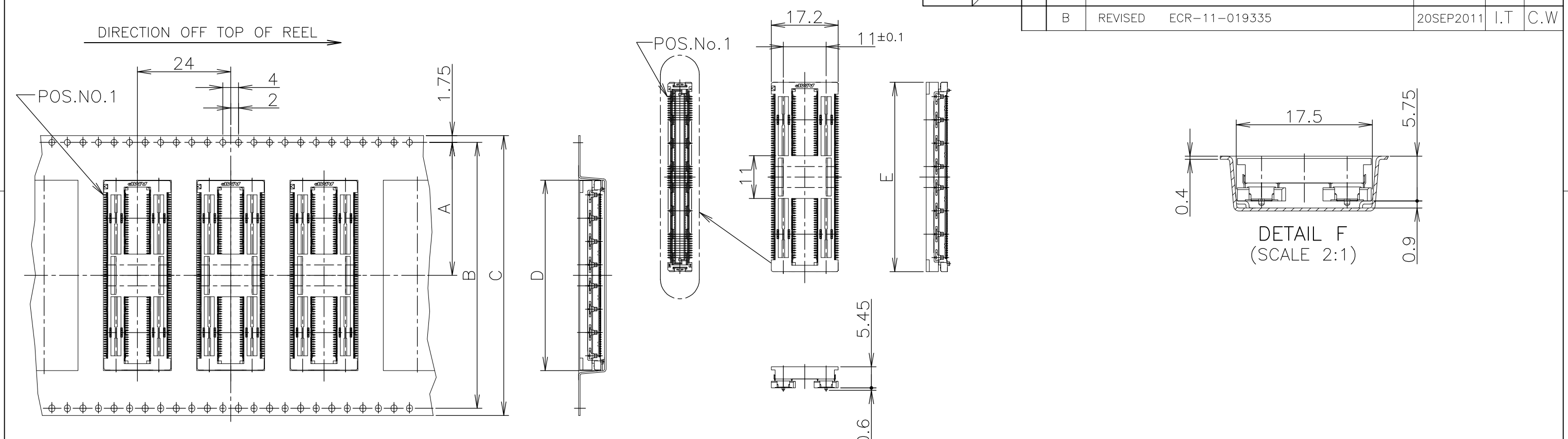
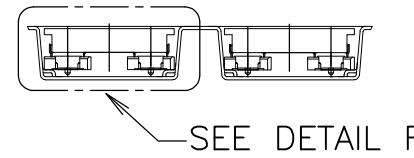


THIS DRAWING IS UNPUBLISHED. RELEASED FOR PUBLICATION JUN , 1996.  
 © COPYRIGHT 1996 By - ALL RIGHTS RESERVED.

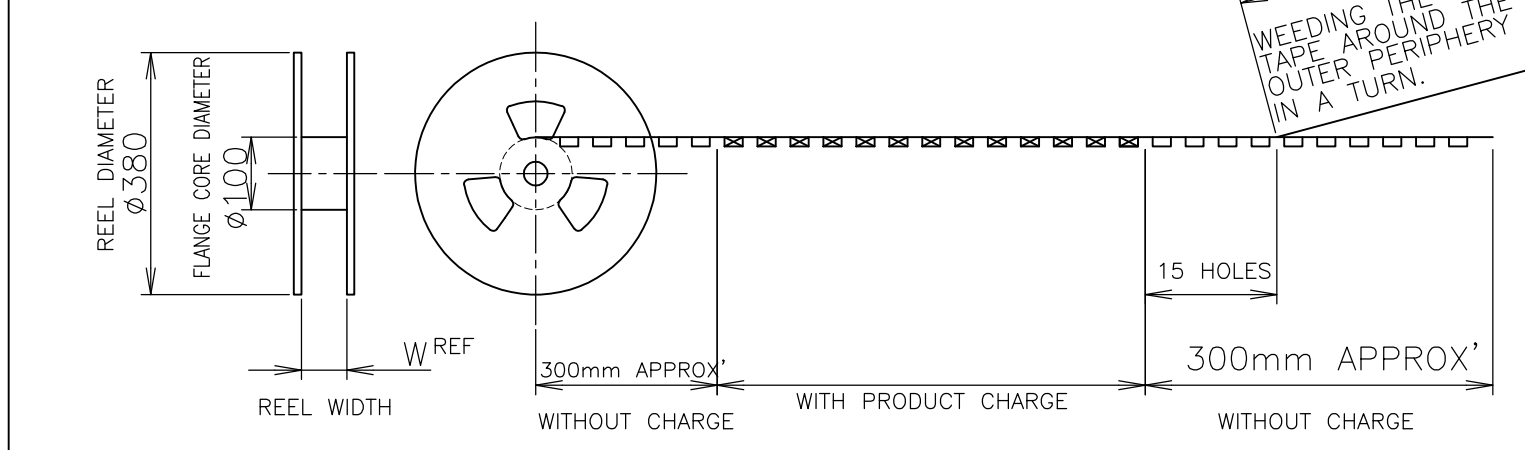
LOC	DIST	REVISIONS					
		P	LTR	DESCRIPTION	DATE	DWN	APVD
J		B	REVISED	ECR-11-019335	20SEP2011	I.T	C.W



CONNECTOR DETAIL



WEEDING THE COVER TAPE AROUND THE OUTER PERIPHERY IN A TURN.



SEALANT	NOT AVAILABLE	△2	550	77.5	54.7	55	72	68.4	34.2	320	6-5353231-1
	AVAILABLE	↑	↑	77.5	48.7	49	72	68.4	34.2	280	6-↑-0
NON SEALANT	NOT AVAILABLE	↑	↑	61.5	42.7	43	56	52.4	26.2	240	5-↑-9
	AVAILABLE	△2	550	61.5	36.7	37	56	52.4	26.2	200	5-5353231-8
NON SEALANT	AVAILABLE	△5	550	77.5	48.7	49	72	68.4	34.2	280	4-5353231-0
	NOT AVAILABLE	△2	↑	77.5	54.7	55	72	68.4	34.2	320	1-↑-1
NON SEALANT	AVAILABLE	↑	↑	77.5	48.7	49	72	68.4	34.2	280	1-↑-0
	NOT AVAILABLE	↑	↑	61.5	42.7	43	56	52.4	26.2	240	↑-9
SEALANT	AVAILABLE	△2	550	61.5	36.7	37	56	52.4	26.2	200	5353231-8
SEALANT	TOOLING STATUS	FINISH	QTY.	W	E	D	C	B	A	POS.	PART NO.

THIS DRAWING IS A CONTROLLED DOCUMENT.

DWN HAWKING HE 14DEC04  
 CHK STEVEN YAO 14DEC04  
 APVD I.ENOMOTO 14DEC04

NAME 名称  
 I.ENOMOTO

PRODUCT SPEC 製品規格  
 108-60047

APPLICATION SPEC 取付適用規格  
 114-5255

WEIGHT

CUSTOMER DRAWING

SCALE 尺度 1:1

SHEET 1 OF 3

REV B

RESTRICTED TO

SIZE A3 CAGE CODE 00779 DRAWING NO 番号 C-5353231

STE TE Connectivity

EMBOSS ASSY  
 FH 0.6BTB CONNECTOR  
 PLUG 4H 2ROW TYPE W/G-PLATE

- △4 THIS PRODUCT WAS COATED BY FLUX-PENETRATION -INHIDTING AGENT.
- △5 FINISH ; UNDER PL Ni 0.0013mm MIN ALL OVER. CONTACT AREA 0.00076 MIN Au PL. SOLDERING AREA 0.001 MIN TIN PL.



THIS DRAWING IS UNPUBLISHED.

RELEASED FOR PUBLICATION JUN , 1996.

© COPYRIGHT 1996 By -

ALL RIGHTS RESERVED.

LOC J

DIST

REVISIONS

変更

P

LTR

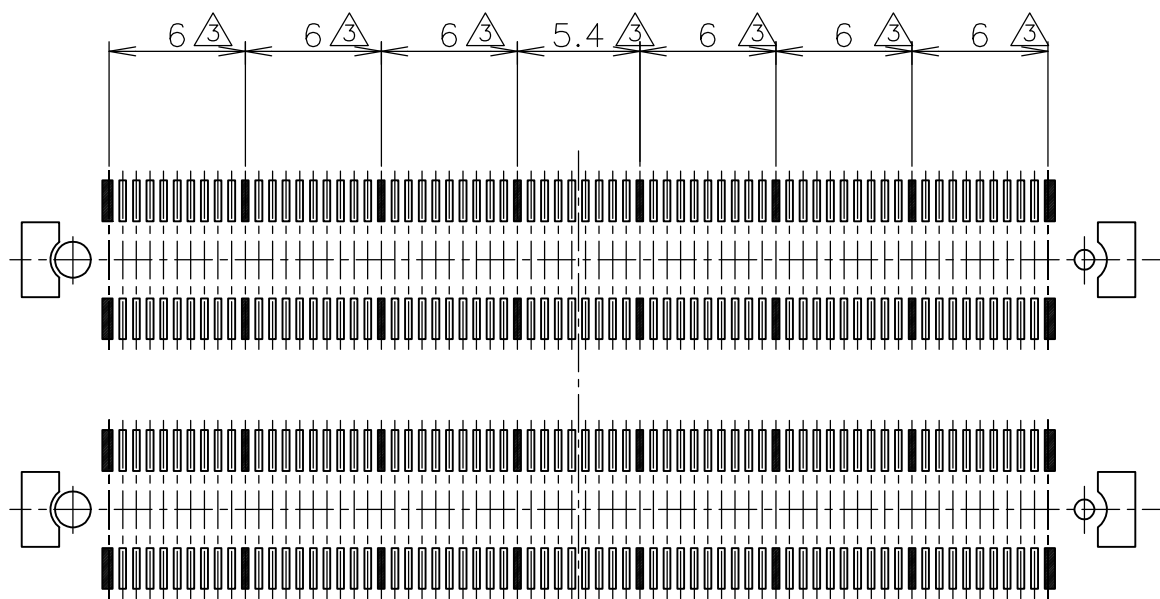
DESCRIPTION

DATE

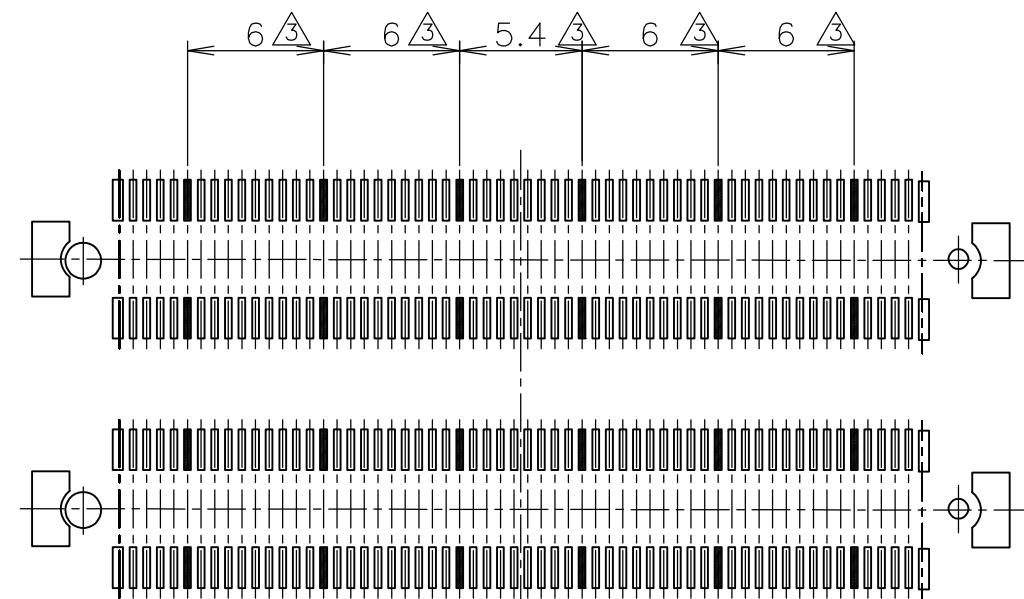
DWN

APVD

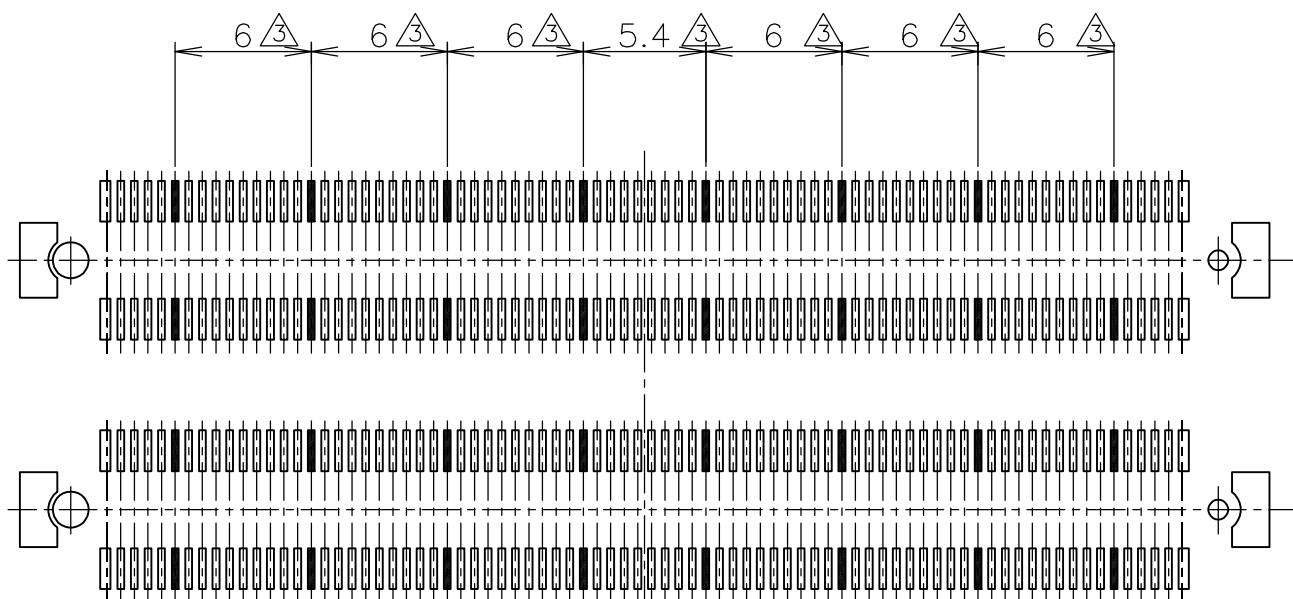
SEE SHEET 1



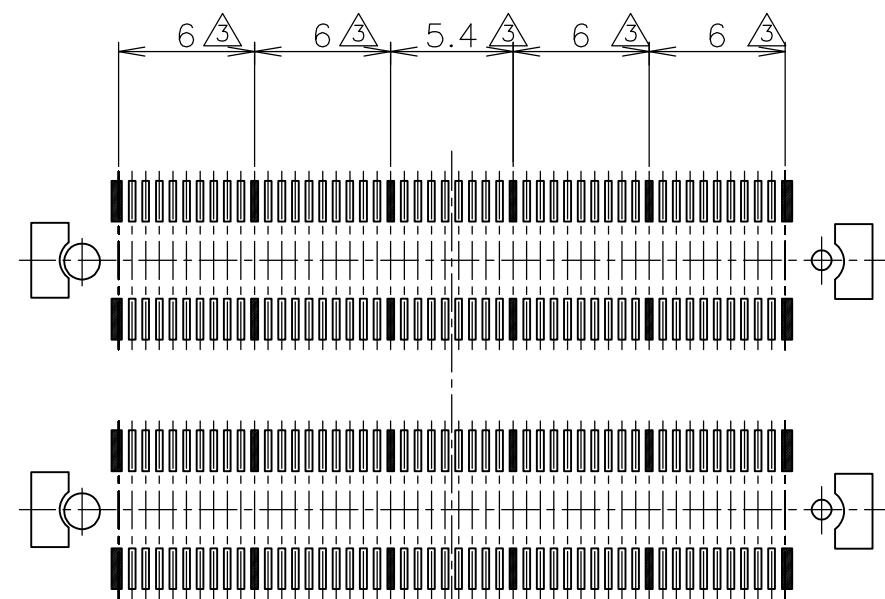
280P



240P



320P

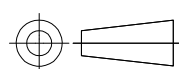


200P

THIS DRAWING IS A CONTROLLED DOCUMENT.

DIMENSIONS: 单位: 耗 mm

TOLERANCES UNLESS OTHERWISE SPECIFIED: 一般公差



MATERIAL 材料



GENERAL TOLERANCE 一般公差

10 ≥ ±0.2  
 30 ≥ >10: ±0.25  
 100 ≥ >30: ±0.3  
 ANGLES: ±3°

0 PLC ± -  
 1 PLC ± -  
 2 PLC ± -  
 3 PLC ± -  
 4 PLC ± -  
 ANGLES ± -

FINISH 仕上

DWN

CHK

APVD

PRODUCT SPEC

製品規格

APPLICATION SPEC

取付適用規格

WEIGHT

STE TE Connectivity

NAME 名称

EMBOSS ASSY  
 FH 0.6BTB CONNECTOR  
 PLUG 4H 2ROW TYPE W/G-PLATE

SIZE

CAGE CODE

DRAWING NO 番号

RESTRICTED TO

A3

00779

G-5353231

CUSTOMER DRAWING

SCALE 尺度 3:1

SHEET 3 OF 3

REV B