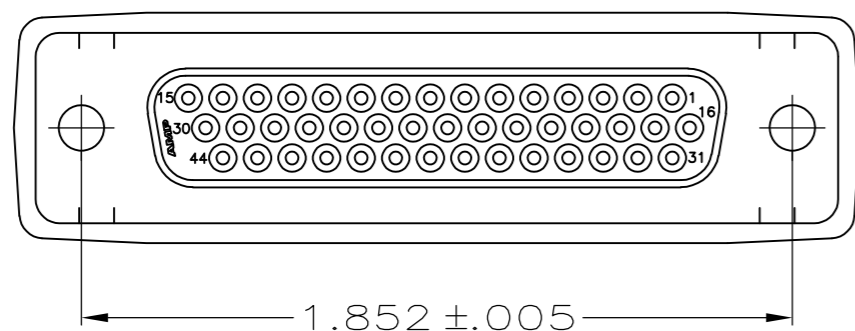
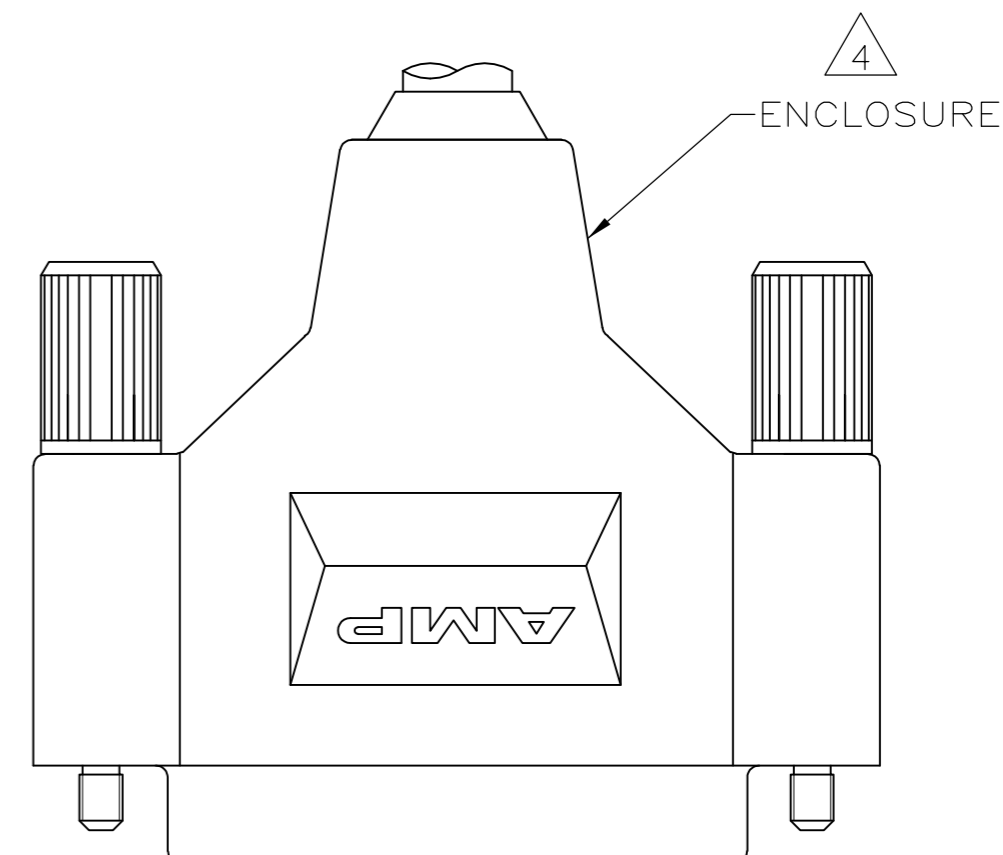
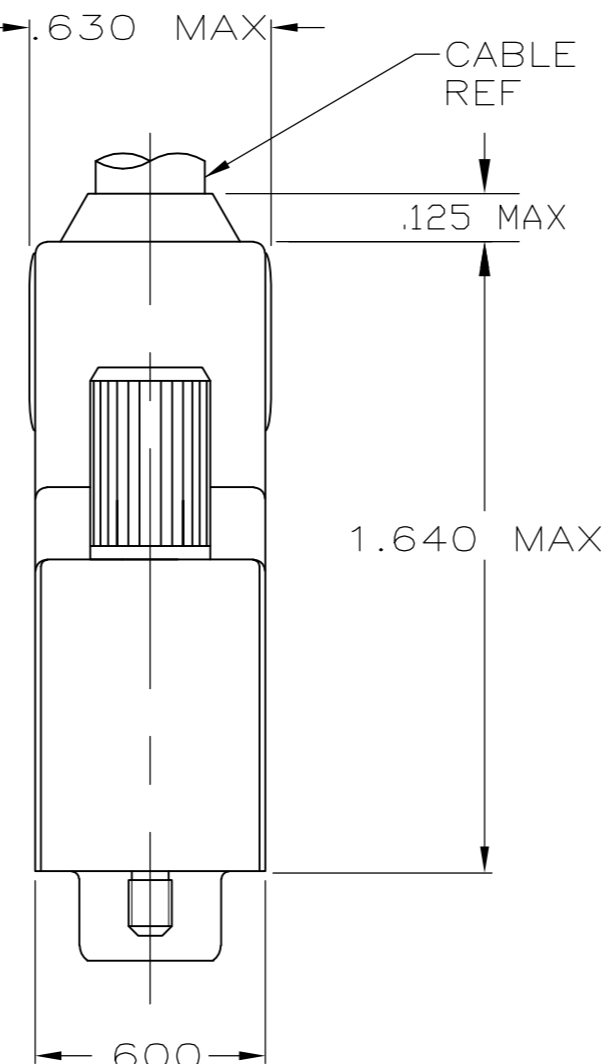
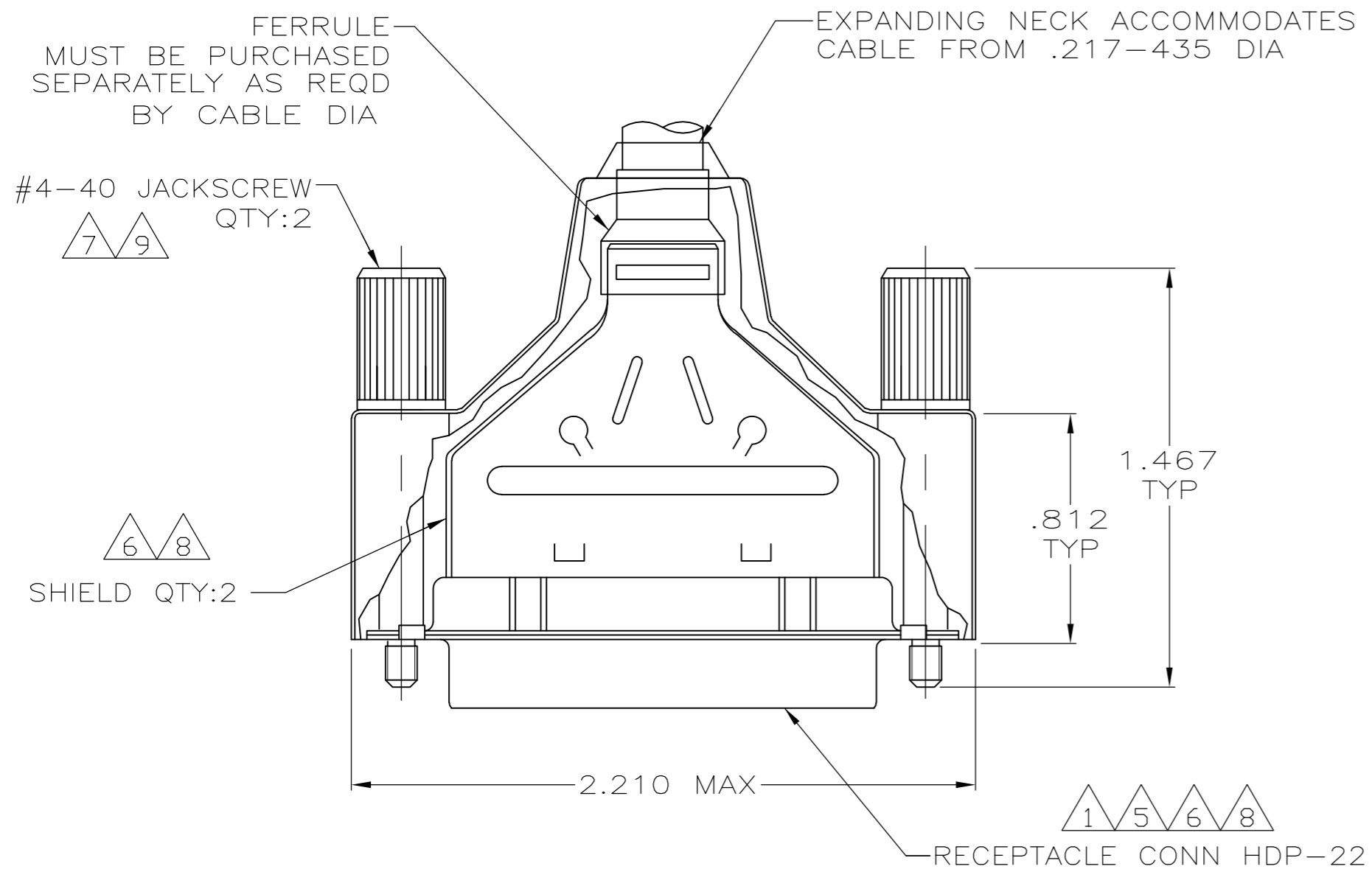


THIS DRAWING IS UNPUBLISHED. RELEASED FOR PUBLICATION
 © COPYRIGHT - By - ALL RIGHTS RESERVED.

LOC	DIST	REVISIONS					
GP	00	P	LTR	DESCRIPTION	DATE	DWN	APVD
		B		REVISED PER ECO-11-006475	21OCT2011	CJV	CWR



- 1 RECEPTACLE ACCEPTS SIZE 22 DF SOCKET CONTACTS. CONTACTS MUST BE PURCHASED SEPARATELY.
- 2. ALL PARTS SHIPPED UNASSEMBLED.
- 3 COMPONENTS INDIVIDUALLY BULK PACKAGED.
- 4 ELASTOMER, STYRENE POLYOLEFIN OR PVC, COLOR BLACK.
- 5 FLAME RETARDANT GLASS FILLED, 94V-0 RATED, COLOR BLACK.
- 6 CARBON STEEL PER ASTM A109.
- 7 ZINC ALLOY.
- 8 .000200 MIN TIN PLATE OVER .000100 MIN COPPER UNDERPLATE.
- 9 ELECTRODEPOSITED POLYURETHANE, BLACK.

3	W/ LOGOS	5748641-1
PACKAGING	REMARKS	PART NUMBER

THIS DRAWING IS A CONTROLLED DOCUMENT.		DWN L. VARELA - DOCK5 12-21-04	TE Connectivity	
DIMENSIONS: INCHES		CHK J. GERACE 12-21-04	NAME	
TOLERANCES UNLESS OTHERWISE SPECIFIED:		APVD M. WALMSLEY 12-21-04	SHIELDING ENCLOSURE KIT, RECEPTACLE, SIZE 3, 44 POSITION, AMPLIMITE, HDP-22	
0 PLC ± -		PRODUCT SPEC 108-40005 & 108-40030	SIZE A2	CAGE CODE 00779
1 PLC ± -		APPLICATION SPEC 114-40030	DRAWING NO C=5748641	RESTRICTED TO -
2 PLC ± -		WEIGHT -	SCALE 2:1	SHEET 1 of 1
3 PLC ± .020		CUSTOMER DRAWING	REV B	
4 PLC ± -				
ANGLES ± -				
FINISH				