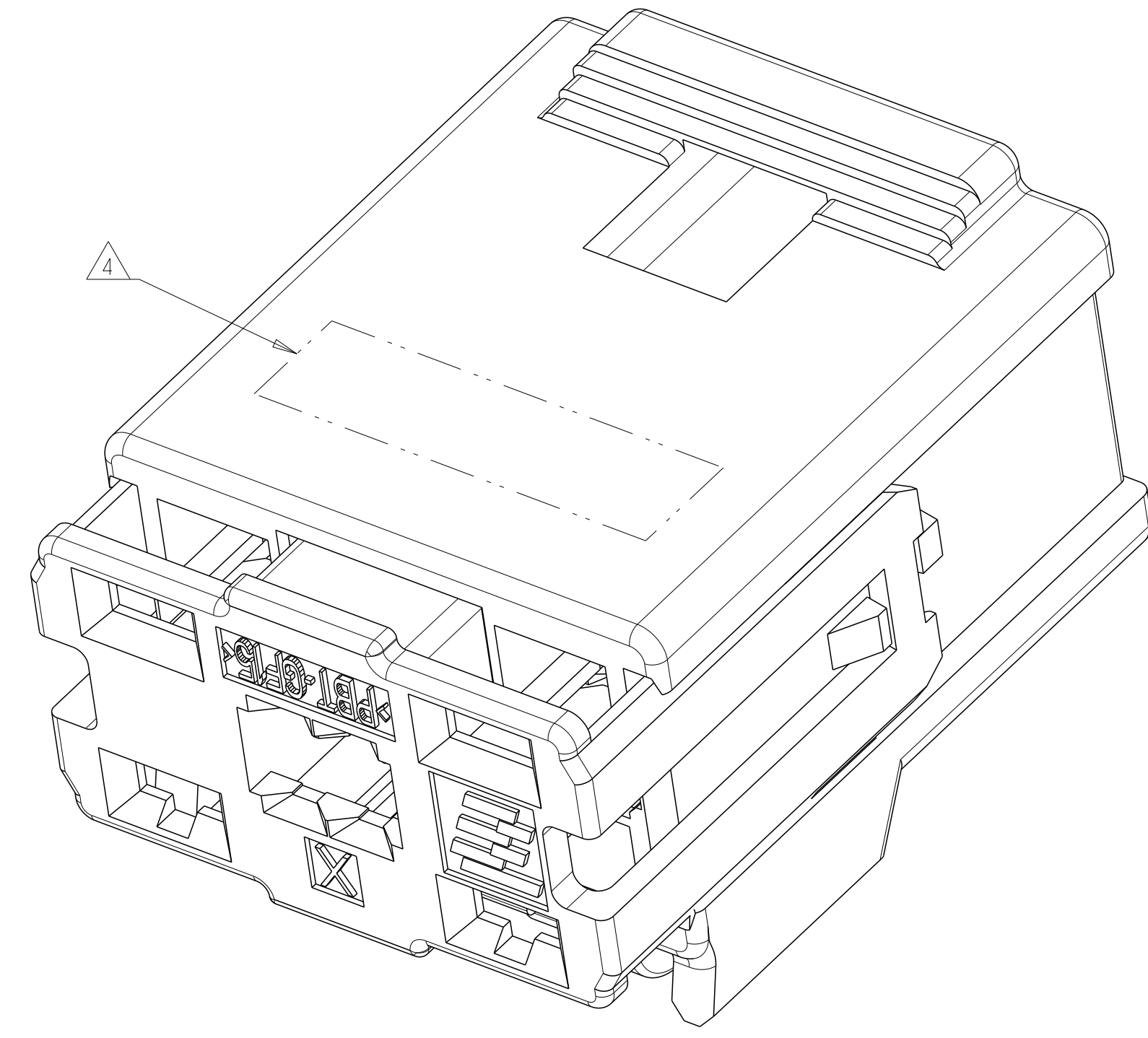
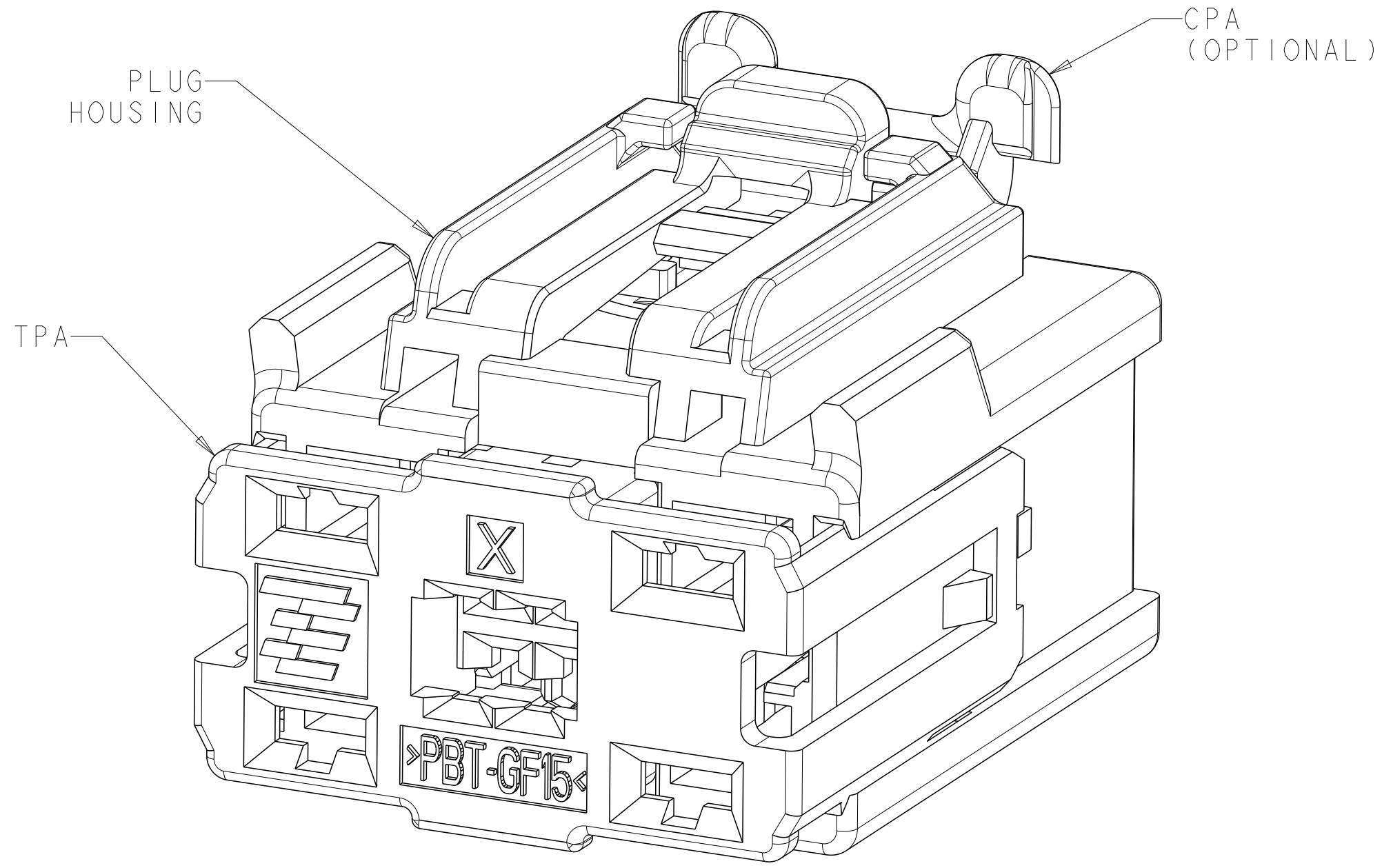
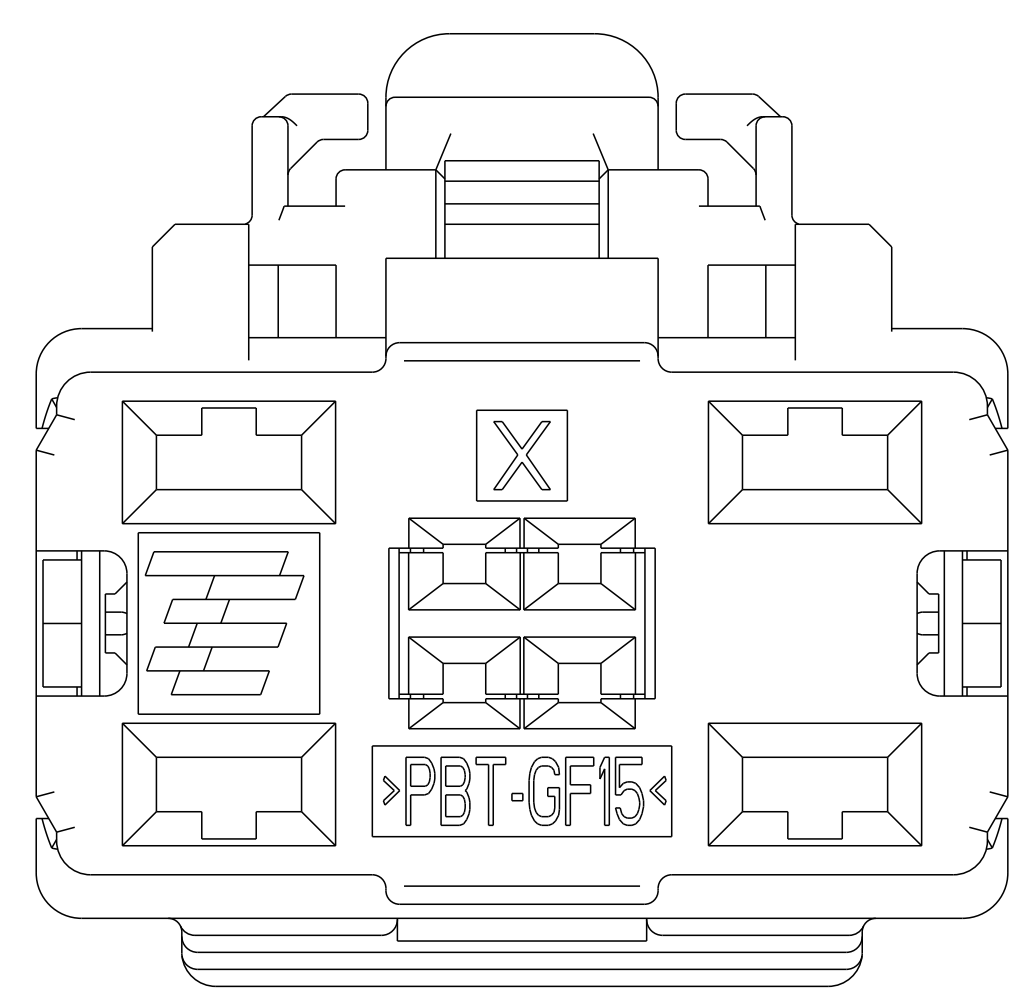
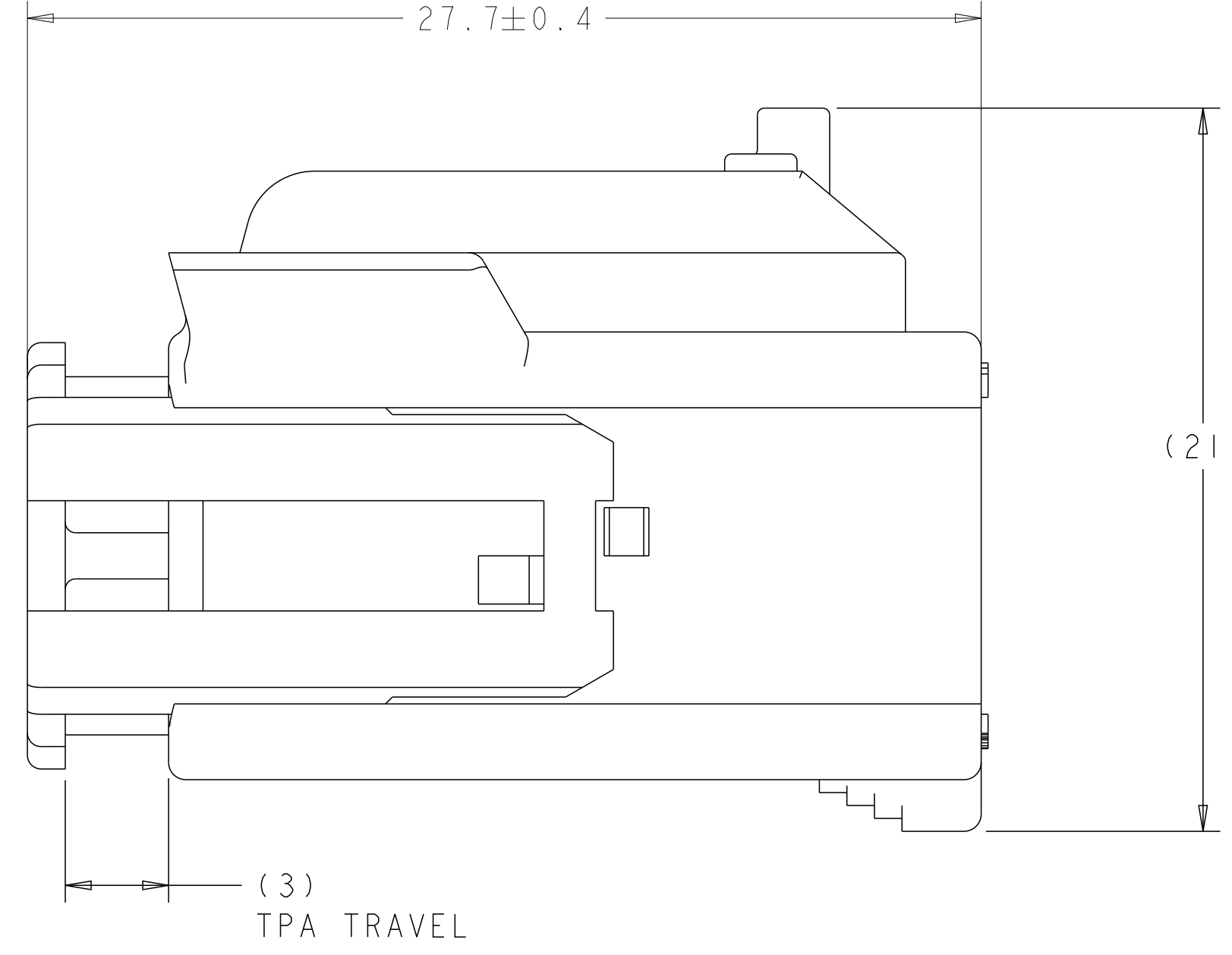
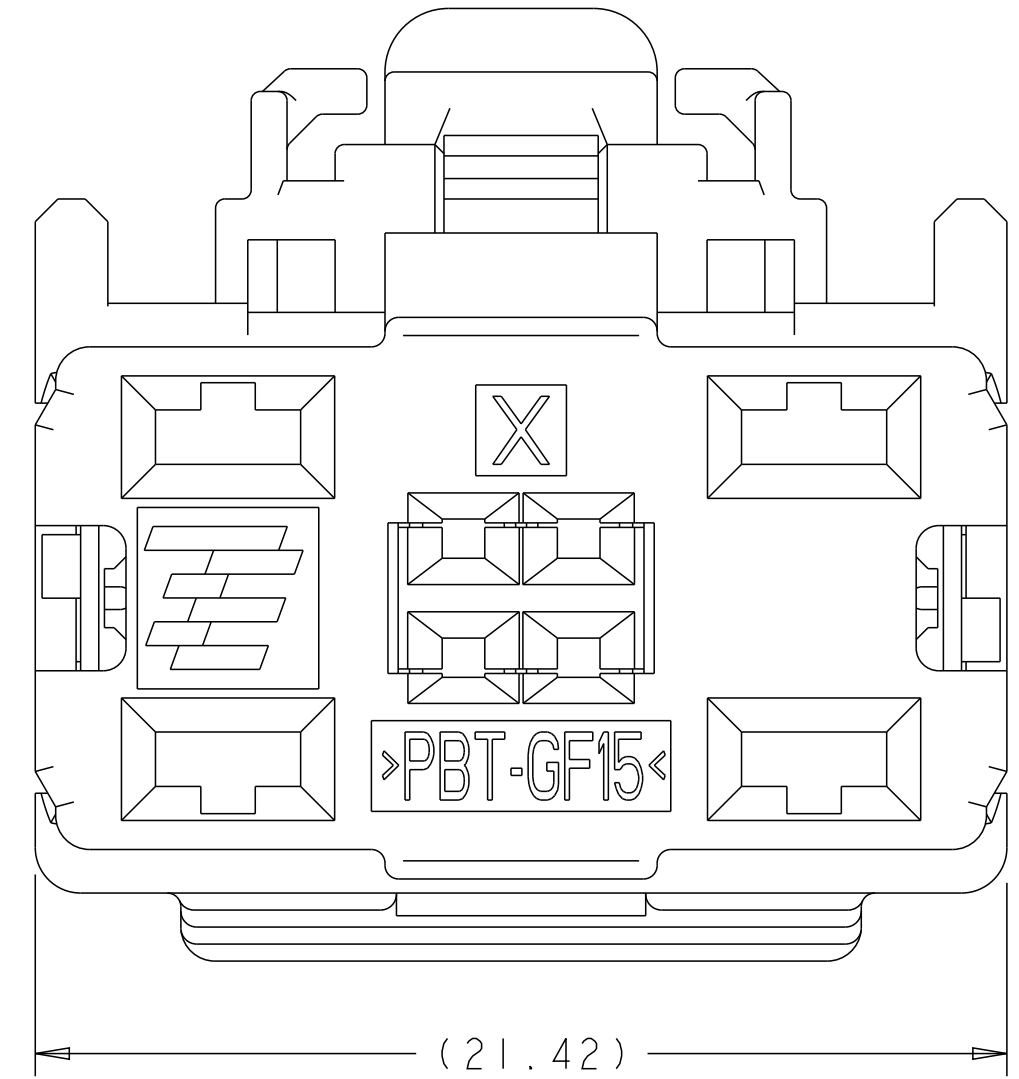


LOC	DIST	REVISIONS			
P	LTN	DESCRIPTION	DATE	OWN	APVD
A3		REVISED PER ECO-13-000026	07JAN2013	DLD	CJS
A4		REVISED PER ECO-13-005761	05APR2013	DLD	CJS
A5		REV PER ECN-22-163339	20JUL2022	SMR	CS
A6		REV PER ECN-22-185005	01DEC2022	SMR	CS

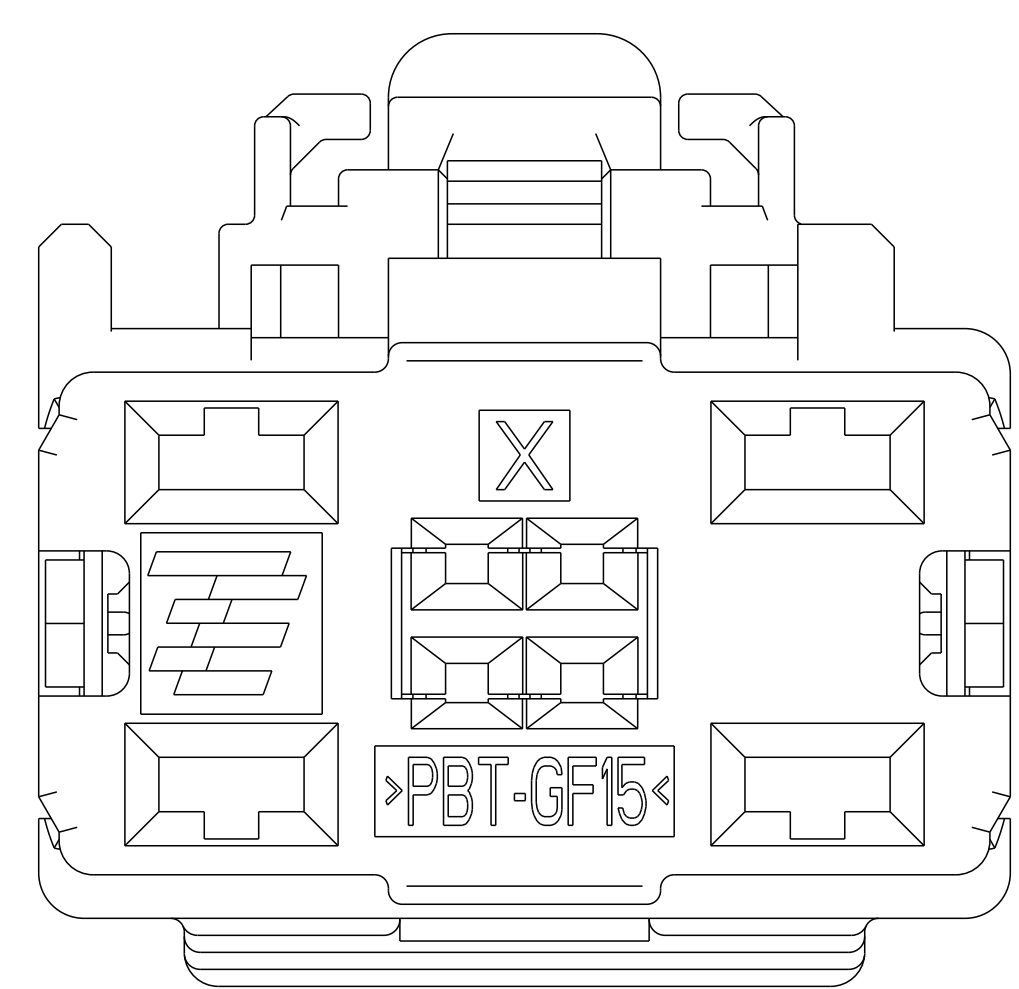


- MATERIAL:
 PLUG HOUSING: NYLON 35% GLASS FILLED, COLOR - SEE TABLE
 TPA: PBT 15% GLASS FILLED, COLOR - NATURAL
 CPA (OPTIONAL): PBT 20% GLASS FILLED, COLOR - RED
- TPA SHOWN IN SHIPPING POSITION.
- OPTIONAL CPA AVAILABLE.
- MARK DATE CODE IN APPROXIMATE LOCATION.
- MATING RECEPTACLES:
 1326030 TIN PLATING, 2.8 CONTACT
 1924955 TIN PLATING, 0.64 CONTACT

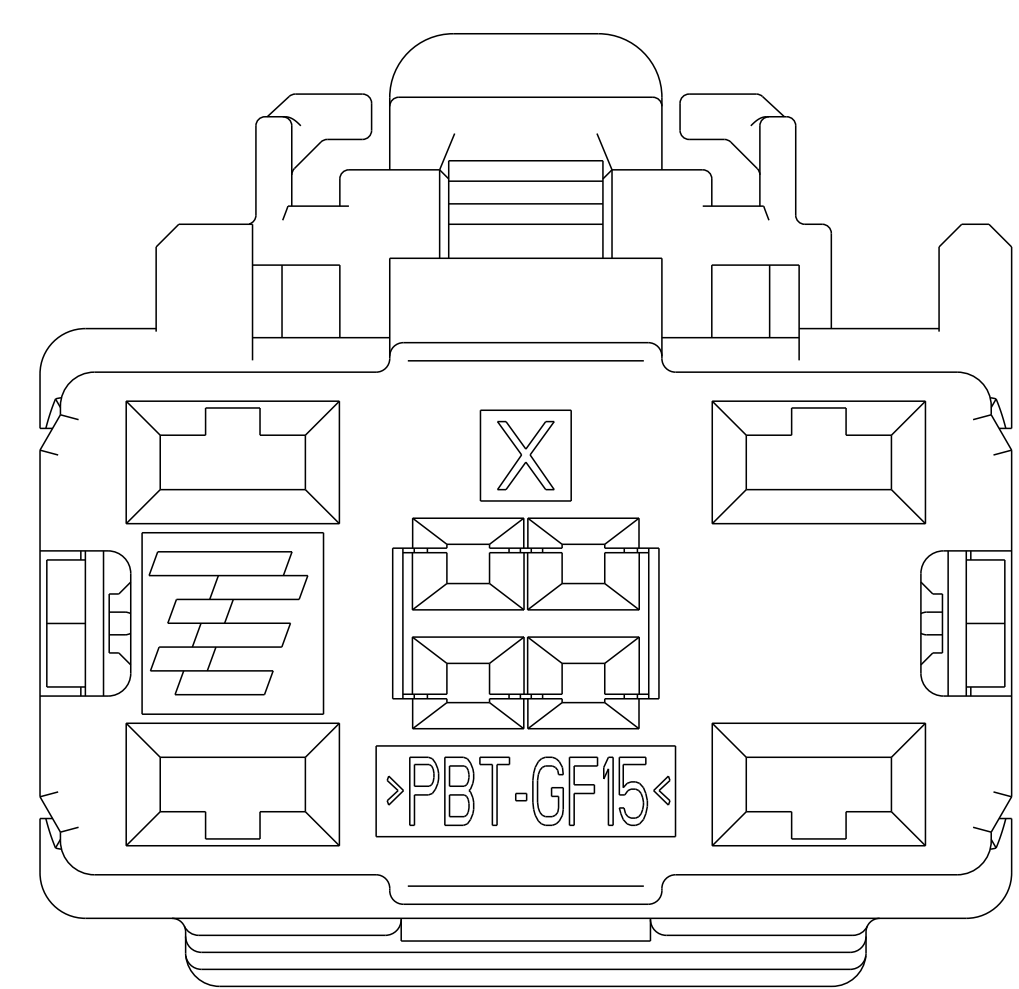
TPA SHOWN IN SHIPPING POSITION WITH OPTIONAL CPA SHOWN



KEYING OPTION "B"
1456471-2



KEYING OPTION "C"
1456471-3



KEYING OPTION "D"
1456471-4

KEYING OPTION	KEYING OPTION	KEYING OPTION	TE PART NUMBER
YES	D	GRAY	1456471-8
YES	C	BLACK	1456471-7
YES	B	GRAY	1456471-6
YES	A	BLACK	1456471-5
NO	D	GRAY	1456471-4
NO	C	BLACK	1456471-3
NO	B	GRAY	1456471-2
NO	A	BLACK	1456471-1

THIS DRAWING IS A CONTROLLED DOCUMENT.

OWN: M. HITCHCOCK 16MAY2006
 CHK: A. VASBINDER 16MAY2006
 APVD: A. VASBINDER 16MAY2006

DIMENSIONS: mm
 TOLERANCES UNLESS OTHERWISE SPECIFIED:
 0 PLC ±
 1 PLC ±0.3
 2 PLC ±0.10
 3 PLC ±
 4 PLC ±
 ANGLES ±
 FINISH ±

PRODUCT SPEC: 108-2400
 APPLICATION SPEC:

MATERIAL: -
 WEIGHT: -

Customer Drawing

TE Connectivity
STE
 PLUG ASSEMBLY,
 8-WAY UNSEALED HYBRID
 (4-0.64mm, 4-2.8mm)

SIZE: A1
 CAGE CODE: 00779
 DRAWING NO: 1456471
 RESTRICTED TO: -

SCALE: 6:1
 SHEET: 1 OF 1
 REV: A6