

EY Series

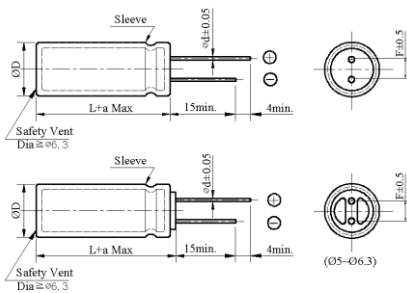
- Miniaturized, Low E.S.R and Low impedance
- Suitable for use in high ripple current capability
- Load life 4,000~10,000 hours at 105°C



◆ SPECIFICATIONS

Item	Performance Characteristics																						
Category Temperature Range	-55~+105°C																						
Working Voltage Range	6.3 ~ 100Vdc																						
Capacitance Range	6.8 ~18,000µF																						
Capacitance Tolerance	±20% (at 25°C and 120Hz)																						
Dissipation Factor (tanδ) (at 25°C, 120Hz)	<table border="1"> <tr> <td>Rated Voltage (V)</td> <td>6.3</td> <td>10</td> <td>16</td> <td>25</td> <td>35</td> <td>50</td> <td>63</td> <td>100</td> </tr> <tr> <td>tanδ(Max)</td> <td>0.22</td> <td>0.19</td> <td>0.16</td> <td>0.14</td> <td>0.12</td> <td>0.10</td> <td>0.09</td> <td>0.08</td> </tr> </table>	Rated Voltage (V)	6.3	10	16	25	35	50	63	100	tanδ(Max)	0.22	0.19	0.16	0.14	0.12	0.10	0.09	0.08				
	Rated Voltage (V)	6.3	10	16	25	35	50	63	100														
tanδ(Max)	0.22	0.19	0.16	0.14	0.12	0.10	0.09	0.08															
The above values should be increased by 0.02 for every additional 1000µF																							
Leakage Current	I=0.01CV or 3µA whichever is greater I : Leakage current (µA) C : Rated capacitance (µF) V : Rated voltage (V) Impress the rated voltage for 2 minutes																						
Low Temperature Characteristics Impedance Ratio(MAX)	<table border="1"> <tr> <td>Rated voltage (V)</td> <td>6.3</td> <td>10</td> <td>16</td> <td>25</td> <td>35</td> <td>50</td> <td>63</td> <td>100</td> </tr> <tr> <td>Z(-55°C)/Z(+20°C)</td> <td>4</td> <td>3</td> <td>3</td> <td>3</td> <td>3</td> <td>3</td> <td>3</td> <td>3</td> </tr> </table>	Rated voltage (V)	6.3	10	16	25	35	50	63	100	Z(-55°C)/Z(+20°C)	4	3	3	3	3	3	3	3				
	Rated voltage (V)	6.3	10	16	25	35	50	63	100														
Z(-55°C)/Z(+20°C)	4	3	3	3	3	3	3	3															
(at 120Hz)																							
Endurance	The following specifications shall be satisfied when the capacitors are restored to 25 °C after subjected to DC voltage with the rated ripple current is applied for 4,000~10,000 hours at 105 °C																						
	<table border="1"> <tr> <td>Capacitance change</td> <td>≅ ±25% of the initial value</td> <td rowspan="4"> <table border="1"> <tr> <td>Size</td> <td colspan="2">Life time (hours)</td> </tr> <tr> <td></td> <td>(6.3~10WV)</td> <td>(16~100WV)</td> </tr> <tr> <td>≅ 6.3 Φ</td> <td>4,000</td> <td>5,000</td> </tr> <tr> <td>8 ~ 10 Φ</td> <td>6,000</td> <td>7,000</td> </tr> <tr> <td>≅ 12.5Φ</td> <td>8,000</td> <td>10,000</td> </tr> </table> </td> </tr> <tr> <td>Dissipation factor(tanδ)</td> <td>≅ 200% of the specified value</td> </tr> <tr> <td>Leakage current</td> <td>≅ specified value</td> </tr> </table>	Capacitance change	≅ ±25% of the initial value	<table border="1"> <tr> <td>Size</td> <td colspan="2">Life time (hours)</td> </tr> <tr> <td></td> <td>(6.3~10WV)</td> <td>(16~100WV)</td> </tr> <tr> <td>≅ 6.3 Φ</td> <td>4,000</td> <td>5,000</td> </tr> <tr> <td>8 ~ 10 Φ</td> <td>6,000</td> <td>7,000</td> </tr> <tr> <td>≅ 12.5Φ</td> <td>8,000</td> <td>10,000</td> </tr> </table>	Size	Life time (hours)			(6.3~10WV)	(16~100WV)	≅ 6.3 Φ	4,000	5,000	8 ~ 10 Φ	6,000	7,000	≅ 12.5Φ	8,000	10,000	Dissipation factor(tanδ)	≅ 200% of the specified value	Leakage current	≅ specified value
	Capacitance change	≅ ±25% of the initial value	<table border="1"> <tr> <td>Size</td> <td colspan="2">Life time (hours)</td> </tr> <tr> <td></td> <td>(6.3~10WV)</td> <td>(16~100WV)</td> </tr> <tr> <td>≅ 6.3 Φ</td> <td>4,000</td> <td>5,000</td> </tr> <tr> <td>8 ~ 10 Φ</td> <td>6,000</td> <td>7,000</td> </tr> <tr> <td>≅ 12.5Φ</td> <td>8,000</td> <td>10,000</td> </tr> </table>		Size	Life time (hours)			(6.3~10WV)	(16~100WV)	≅ 6.3 Φ	4,000	5,000	8 ~ 10 Φ	6,000	7,000	≅ 12.5Φ	8,000	10,000				
	Size	Life time (hours)																					
	(6.3~10WV)	(16~100WV)																					
≅ 6.3 Φ	4,000	5,000																					
8 ~ 10 Φ	6,000	7,000																					
≅ 12.5Φ	8,000	10,000																					
Dissipation factor(tanδ)	≅ 200% of the specified value																						
Leakage current	≅ specified value																						
Shelf Life	The following requirements shall be satisfied when the capacitor are restored to 25 °C after exposing them for 1,000 hours at 105 °C without voltage applied.																						
	<table border="1"> <tr> <td>Capacitance change</td> <td>≅ ±25% of the initial value</td> </tr> <tr> <td>Dissipation factor(tanδ)</td> <td>≅ 200% of the specified value</td> </tr> <tr> <td>Leakage current</td> <td>≅ 200% of the specified value</td> </tr> </table>	Capacitance change	≅ ±25% of the initial value	Dissipation factor(tanδ)	≅ 200% of the specified value	Leakage current	≅ 200% of the specified value																
	Capacitance change	≅ ±25% of the initial value																					
	Dissipation factor(tanδ)	≅ 200% of the specified value																					
Leakage current	≅ 200% of the specified value																						
Others	Conforms to JIS-C-5101-4 (1998), characteristic W																						

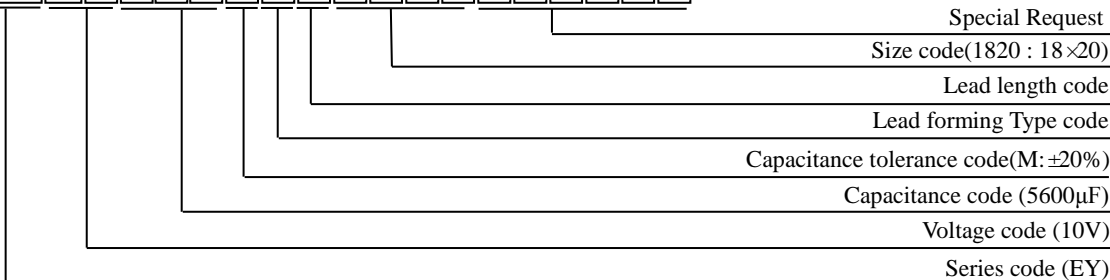
◆ DIMENSIONS (mm)



ΦD	5	6.3	8	10	12.5	16	18
ΦD	ΦD + 0.5 Max						
Φd	0.5	0.5	0.6	0.6	0.6	0.8	0.8
F	2.0	2.5	3.5	5.0	5.0	7.5	7.5
a	L + 1.5 Max				$\leq 35 L + 1.5 \text{ Max}$ $\geq 40 L + 2.0 \text{ Max}$		L + 1.5 Max

◆ PART NUMBER SYSTEM (Example : 10V 5600 µF)

E Y 1 A 5 6 2 M N N 1 8 2 0



Aluminum Electrolytic Capacitor

Customer	Digi-Key	SERIES	EY	NO.:	PUBLISH DATE	2022-03-25
----------	----------	--------	----	------	--------------	------------

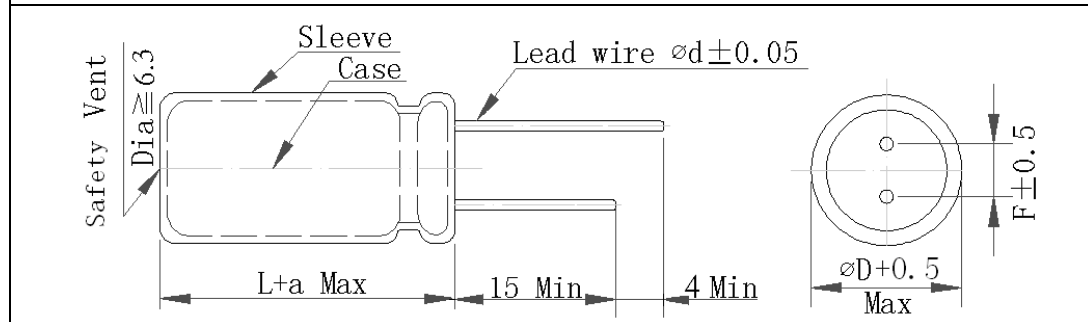


FIG-1

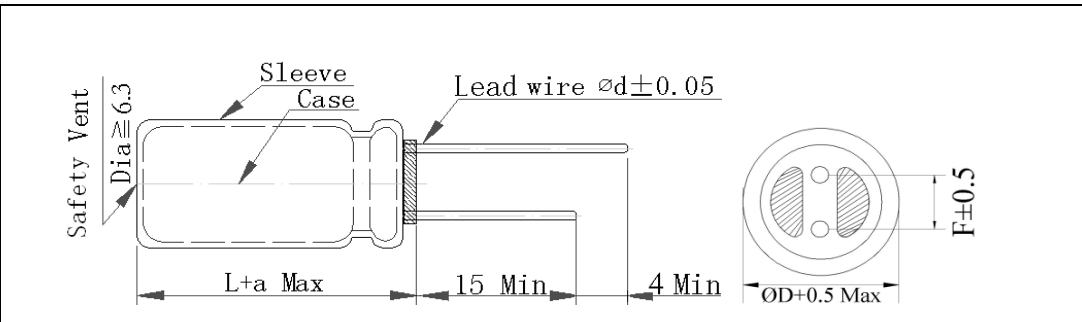


FIG-2

No.	CHINSAN Part No.	Customer Part No.	Capacitance (µF)	Tolerance On rated Capacitance (%)	Working Voltage (Vdc)	Surge Voltage (Vdc)	Category Temp Range (°C)	Tanδ @ 25°C (120Hz) (Max)	Leakage Current (µA) (2 min.)	Rated Ripple Current (mA rms) @ 105°C 100kHz	ESR @25°C (mΩ max/ 120Hz)	Impedance @20°C (mΩ max/ 100kHz)	Endurance @ 105°C (Hours)	Dimensions (mm)					Appearance Drawing No
														DΦ	L	a	d	F	
1	EY2A391MNN1240	/	390 µF	±20%	100 V	/	-55~+105	/	/	2340	/	65	10000	12.5	40	/	/	5	FIG-1
2	EY2A471MNN16P1	/	470 µF	±20%	100 V	/	-55~+105	/	/	2400	/	45	10000	16	35.5	/	/	7.5	FIG-1
3	EY3A102MNN1850M	/	1000 µF	±20%	120 V	/	-40~+105	/	/	2400	/	70	10000	18	50	/	/	7.5	FIG-1
4	EY1C152MNN1016	/	1500 µF	±20%	16 V	/	-55~+105	/	/	1500	/	80	7000	10	16	/	/	5	FIG-1
5	EY1C152MNN1220	/	1500 µF	±20%	16 V	/	-55~+105	/	/	1910	/	65	10000	12.5	20	/	/	5	FIG-1
6	EY1C681MNN0820	/	680 µF	±20%	16 V	/	-55~+105	/	/	1330	/	140	7000	8	20	/	/	3.5	FIG-1
7	EY1E102MNN1020	/	1000 µF	±20%	25 V	/	-55~+105	/	/	1710	/	78	7000	10	20	/	/	5	FIG-1
8	EY1E102MNN1616E	/	1000 µF	±20%	25 V	/	-55~+105	/	/	1940	/	42	10000	16	16	/	/	7.5	FIG-1
9	EY1E222MNN1225	/	2200 µF	±20%	25 V	/	-55~+105	/	/	2700	/	57	10000	12.5	25	/	/	5	FIG-1
10	EY1E562MNN1635	/	5600 µF	±20%	25 V	/	-55~+105	/	/	4000	/	26	10000	16	35	/	/	7.5	FIG-1
11	EY1E222MNN1620E	/	2200 µF	±20%	25 V	/	-40~+105	/	/	3450	/	15	10000	16	20	/	/	7.5	FIG-1



Taiwan Chinsan Electronic Ind., Co., Ltd.

Address: No.1, Alley 11, Lane 68, Sec.1, KwangFu Rd., SanChung Dist., New Taipei City 24158, Taiwan

TEL: +886 2 2995 0535 <http://www.chinsan.com/products/>

12	EY1V102MNN1818E	/	1000 μ F	\pm 20%	35 V	/	-55~+105	/	/	2150	/	43	10000	18	18	/	/	7.5	FIG-1
13	EY1V470MNN0816	/	47 μ F	\pm 20%	35 V	/	-55~+105	/	/	310	/	45	7000	8	16	/	/	3.5	FIG-1
14	EY1V681MNN1220F7	/	680 μ F	\pm 20%	35 V	/	-55~+105	/	/	1910	/	72	7000	12.5	20	/	/	5	FIG-1
15	EY1V332MNN1836	/	3300 μ F	\pm 20%	35 V	/	-55~+105	/	/	4220	70	25	10000	18	36	/	/	7.5	FIG-1
16	EY1V222MNN1625	/	2200 μ F	\pm 20%	35 V	/	-55~+105	/	/	1900	/	42	10000	16	25	/	/	7.5	FIG-1
17	EY1V101MNN6311EP5U	/	100 μ F	\pm 20%	35 V	/	-55~+105	/	/	450	/	550	5000	6.3	11	/	/	2.5	FIG-2
18	EY1H102MNN1820	/	1000 μ F	\pm 20%	50 V	/	-55~+105	/	/	2600	/	36	10000	18	20	/	/	7.5	FIG-1
19	EY1H222MNN18P1E	/	2200 μ F	\pm 20%	50 V	/	-55~+105	/	/	3800	/	20	10000	18	35.5	/	/	7.5	FIG-1
20	EY1H332MNN1840E	/	3300 μ F	\pm 20%	50 V	/	-55~+105	/	/	4850	/	20	10000	18	40	/	/	7.5	FIG-1
21	EY1J221MNN1016F6	/	220 μ F	\pm 20%	63 V	/	-55~+105	/	/	998	/	110	6000	10	16	/	/	5	FIG-1
22	EY1J122MNN1825ER	/	1200 μ F	\pm 20%	63 V	/	-40~+105	/	/	2930	/	30	10000	18	25	/	/	7.5	FIG-1
23	EY1J332MNN1840EF8R	/	3300 μ F	\pm 20%	63 V	/	-55~+105	/	/	4300	/	20	8000	18	40	/	/	7.5	FIG-1
24	EY1K152MNN18P1EM	/	1500 μ F	\pm 20%	80 V	/	-40~+105	/	/	3510	/	28	10000	18	35.5	/	/	7.5	FIG-1

※Test leakage current before testing dissipation factor and capacitance during the electric characteristic test.

REMARKS:	APPROVED BY	CHECKED BY	PREPARED BY
Sleeve Color: Brown. Suffix F6 indicates the life of the capacitor is 6000 hrs. Suffix F7 indicates the life of the capacitor is 7000 hrs. Suffix F8 indicates the life of the capacitor is 8000 hrs. Suffix P5 : indicates Black PET sleeve. Suffix U indicates convex rubber cover.	张洪斌	曾爱娥	梁慧妍

Aluminum Electrolytic Capacitor

Customer	Digi-Key	SERIES	EY	NO.:	PUBLISH DATE	2022-03-25
----------	----------	--------	----	------	--------------	------------

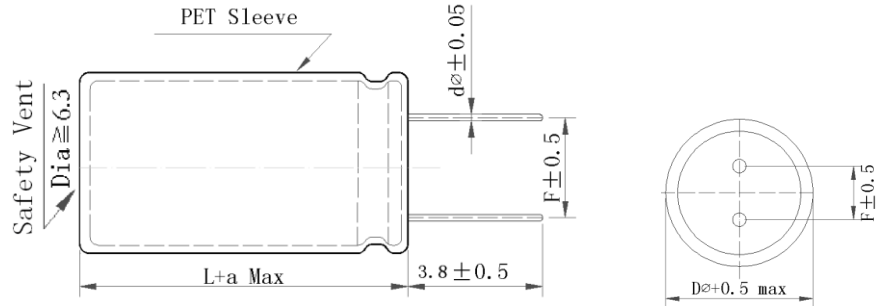


FIG-1

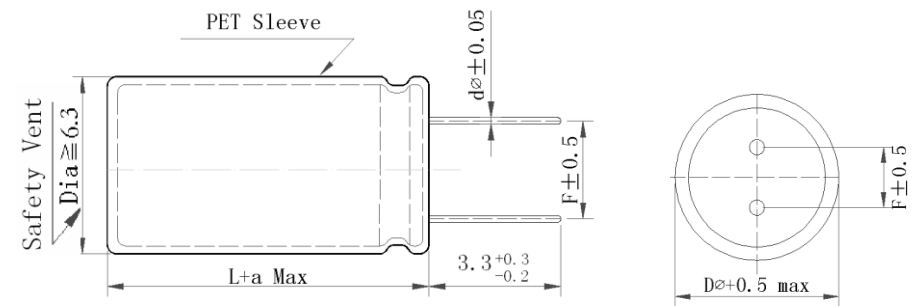


FIG-2

No.	CHINSAN Part No.	Customer Part No.	Capacitance (uF)	Tolerance On rated Capacitance (%)	Working Voltage (Vdc)	Surge Voltage (Vdc)	Category Temp Range (°C)	Tanδ @ 25°C (120Hz) (Max)	Leakage Current (uA) (2 min.)	Rated Ripple Current (mA rms) @ 105°C 100kHz	ESR @25°C (mΩ max/ 120Hz)	Impedance @20°C (mΩ max/ 100kHz)	Endurance @ 105°C (Hours)	Dimensions (mm)					Appearance Drawing No
														DΦ	L	a	d	F	
1	EY1C102MCC0820EP9	/	1000 μF	±20%	16 V	/	-40~+105	/	/	1500	/	29	7000	8	20	/	/	3.5	FIG-1
2	EY1V222HCG1625E	/	2200 μF	-5~+20%	35 V	/	-55~+105	/	/	3350	/	35	10000	16	25	/	/	7.5	FIG-2

※Test leakage current before testing dissipation factor and capacitance during the electric characteristic test.

REMARKS:	APPROVED BY	CHECKED BY	PREPARED BY
Sleeve Color: Brown. Suffix P9 : indicates Black PET sleeve.	张洪斌	曾爱娥	梁慧妍

Aluminum Electrolytic Capacitor

Customer	Digi-Key	SERIES	EY	NO.:	PUBLISH DATE	2022-03-25
----------	----------	--------	----	------	--------------	------------

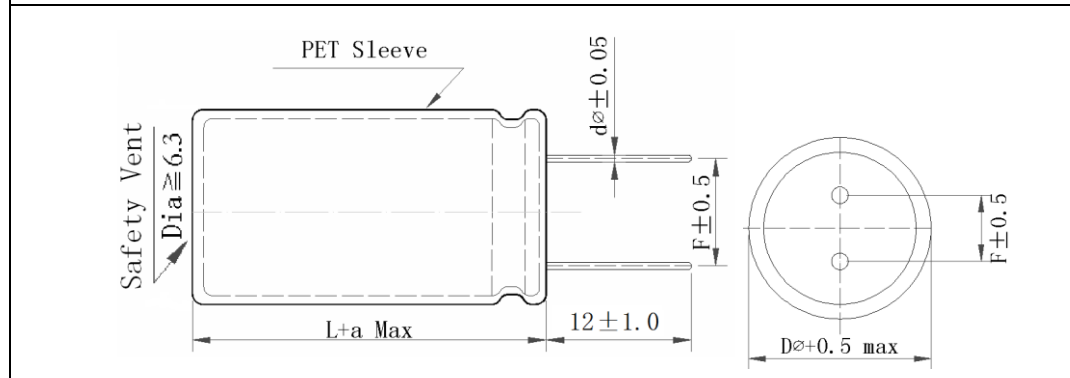


FIG-1

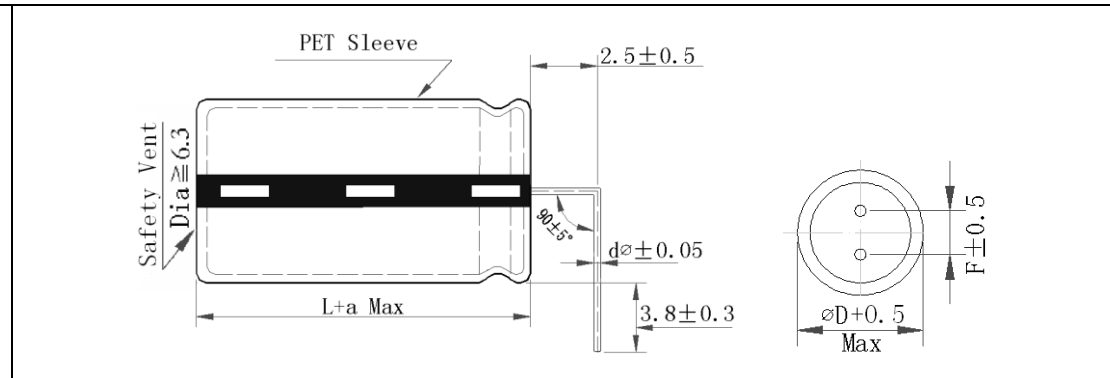


FIG-2

No.	CHINSAN Part No.	Customer Part No.	Capacitance (uF)	Tolerance On rated Capacitance (%)	Working Voltage (Vdc)	Surge Voltage (Vdc)	Category Temp Range (°C)	Tanδ @ 25°C (120Hz) (Max)	Leakage Current (uA) (2 min.)	Rated Ripple Current (mA rms) @ 105°C 100kHz	ESR @25°C (mΩ max/ 120Hz)	Impedance @20°C (mΩ max/ 100kHz)	Endurance @ 105°C (Hours)	Dimensions (mm)					Appearance Drawing No
														DΦ	L	a	d	F	
1	EY2A680MCH0815S	/	68 μF	±20%	100 V	/	-55~+105	/	/	350	/	430	7000	8	15	/	/	3.5	FIG-1
2	EY1V102MLT1225ER	/	1000 μF	±20%	35 V	/	-55~+105	/	/	2300	/	60	10000	12.5	25	/	/	5	FIG-2

※Test leakage current before testing dissipation factor and capacitance during the electric characteristic test.

REMARKS:	APPROVED BY	CHECKED BY	PREPARED BY
Sleeve Color: Brown.	张洪斌	曾爱娥	梁慧妍

Aluminum Electrolytic Capacitor

Customer	Digi-Key	SERIES	EY	NO.:	PUBLISH DATE	2022-03-25
-----------------	-----------------	---------------	-----------	-------------	---------------------	-------------------

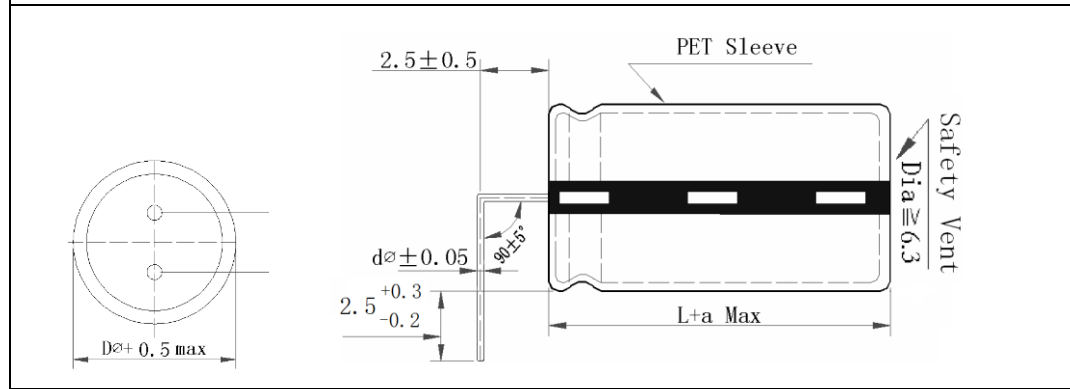


FIG-1

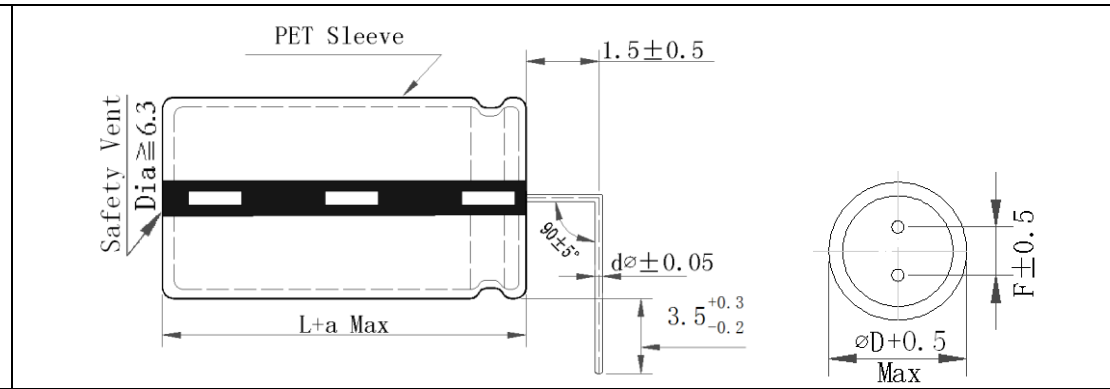


FIG-2

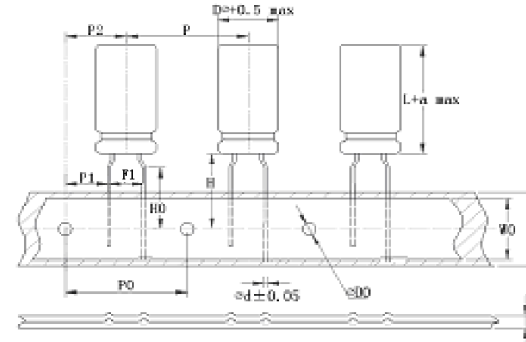
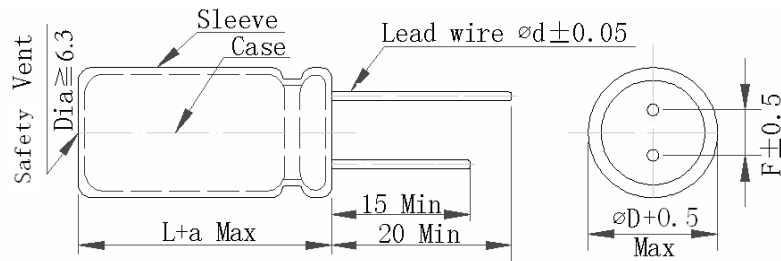
No.	CHINSAN Part No.	Customer Part No.	Capacitance (uF)	Tolerance On rated Capacitance (%)	Working Voltage (Vdc)	Surge Voltage (Vdc)	Category Temp Range (°C)	Tanδ @ 25°C (120Hz) (Max)	Leakage Current (uA) (2 min.)	Rated Ripple Current (mA rms) @ 105°C 100kHz	ESR @25°C (mΩ max/ 120Hz)	Impedance @20°C (mΩ max/ 100kHz)	Endurance @ 105°C (Hours)	Dimensions (mm)					Appearance Drawing No
														DΦ	L	a	d	F	
1	EY1C392MS21228E	/	3900 μF	±20%	16 V	/	-40~+105	/	/	2860	/	21	10000	12.5	28	/	/	5	FIG-1
2	EY1K680HTM0816E	/	68 μF	5%~20%	80 V	/	-55~+105	/	/	250	/	800	7000	8	16	/	/	3.5	FIG-2

※Test leakage current before testing dissipation factor and capacitance during the electric characteristic test.

REMARKS:	APPROVED BY	CHECKED BY	PREPARED BY
Sleeve Color: Brown.	张洪斌	曾爱娥	梁慧妍

Aluminum Electrolytic Capacitor

Customer	Digi-Key	SERIES	EY	NO.:	PUBLISH DATE	2022-03-25
----------	----------	--------	----	------	--------------	------------



Unit (mm):

$P = 12.7 \pm 1.0$ $H_0 = 16.0 \pm 0.5$
 $H = 17.5 \pm 0.5$ $P_0 = 12.7 \pm 0.2$
 $W = 18.0 \pm 0.5$ $P_1 = 3.85 \pm 0.5$
 $W_0 = 12.5 \text{ MIN}$ $P_2 = 6.35 \pm 1.0$
 $\Phi D_0 = 4.0 \pm 0.2$ $F_1 = 5.0 + 0.8 / - 0.2$
 $t = 0.7 \pm 0.2$

Original

FIG-1

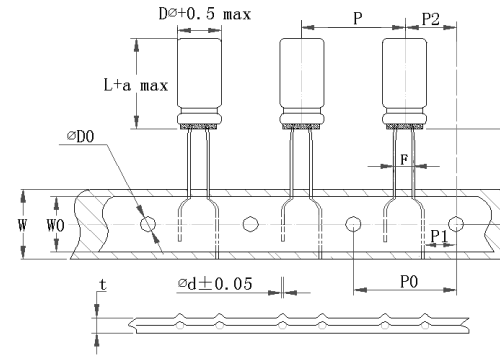
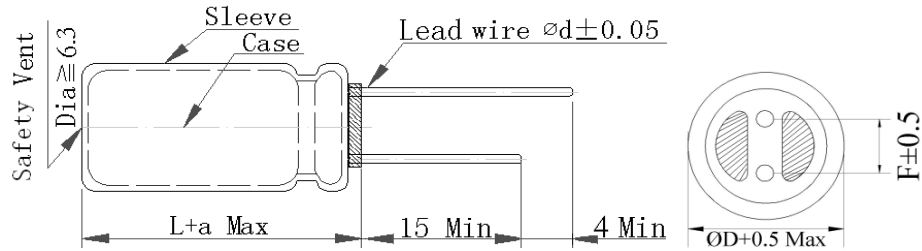
No.	CHINSAN Part No.	Customer Part No.	Capacitance (uF)	Tolerance On rated Capacitance (%)	Working Voltage (Vdc)	Surge Voltage (Vdc)	Category Temp Range (°C)	Tanδ @ 25°C (120Hz) (Max)	Leakage Current (uA) (2 min.)	Rated Ripple Current (mA rms) @ 105°C 100kHz	ESR @ 25°C (mΩ max/ 120Hz)	Impedance @ 20°C (mΩ max/ 100kHz)	Endurance @ 105°C (Hours)	Dimensions (mm)					Appearance Drawing No
														DΦ	L	a	d	F1	
1	EY2A330MQS0811ERS	/	33 μF	±20%	100 V	/	-55~+105	/	/	462	/	780	7000	8	11	/	/	5	FIG-1

※Test leakage current before testing dissipation factor and capacitance during the electric characteristic test.

REMARKS:	APPROVED BY	CHECKED BY	PREPARED BY
Sleeve Color: Brown.	张洪斌	曾爱娥	梁慧妍

Aluminum Electrolytic Capacitor

Customer	Digi-Key	SERIES	EY	NO.:	PUBLISH DATE	2022-03-25
----------	----------	--------	----	------	--------------	------------



Unit (mm):

P=12.7±1.0

H=18.5±0.5

P0=12.7±0.2

P1=3.85±0.5

P2=6.35±1.0

W =18.0±0.5

F=2.5+0.8/-0.2

W0=12.5MIN

ΦD0=4.0±0.2

t=0.7±0.2

Original

FIG-1

No.	CHINSAN Part No.	Customer Part No.	Capacitance (uF)	Tolerance On rated Capacitance (%)	Working Voltage (Vdc)	Surge Voltage (Vdc)	Category Temp Range (°C)	Tanδ @ 25°C (120Hz) (Max)	Leakage Current (uA) (2 min.)	Rated Ripple Current (mA rms) @ 105°C 100kHz	ESR @25°C (mΩ max/ 120Hz)	Impedance @20°C (mΩ max/ 100kHz)	Endurance @ 105°C (Hours)	Dimensions (mm)					Appearance Drawing No
														D Φ	L	a	d	F	
1	EY2A4R7MP20511F6U	/	4.7 μF	±20%	100 V	/	-55~+105	/	/	80	/	2100	6000	5	11	/	/	2.5	FIG-1
2	EY2A100MP20511U	/	10 μF	±20%	100 V	/	-55~+105	/	/	120	/	1500	5000	5	11	/	/	2.5	FIG-1
3	EY1C680HP20511EU	/	68 μF	5%~20%	16 V	/	-40~+105	/	/	260	/	500	5000	5	11	/	/	2.5	FIG-1
4	EY1E470MP20511U	/	47 μF	±20%	25 V	/	-55~+105	/	/	205	3950	570	5000	5	11	/	/	2.5	FIG-1
5	EY1E680MP20511RU	/	68 μF	±20%	25 V	/	-55~+105	/	/	330	/	900	5000	5	11	/	/	2.5	FIG-1
6	EY1V330MP20511EP5U	/	33 μF	±20%	35 V	/	-55~+105	/	/	220	/	1200	5000	5	11	/	/	2.5	FIG-1
7	EY1V470MP20511EP5U	/	47 μF	±20%	35 V	/	-55~+105	/	/	250	/	2300	5000	5	11	/	/	2.5	FIG-1
8	EY1V470MP20511EU	/	47 μF	±20%	35 V	/	-55~+105	/	/	250	3390	410	5000	5	11	/	/	2.5	FIG-1
9	EY1V470RP20511EU	/	47 μF	0%~20%	35 V	/	-55~+105	/	/	260	/	500	5000	5	11	/	/	2.5	FIG-1
10	EY1H100MP20511U	/	10 μF	±20%	50 V	/	-55~+105	/	/	135	13300	1300	5000	5	11	/	/	2.5	FIG-1



Taiwan Chinsan Electronic Ind., Co., Ltd.

Address: No.1, Alley 11, Lane 68, Sec.1, KwangFu Rd., SanChung Dist., New Taipei City 24158, Taiwan

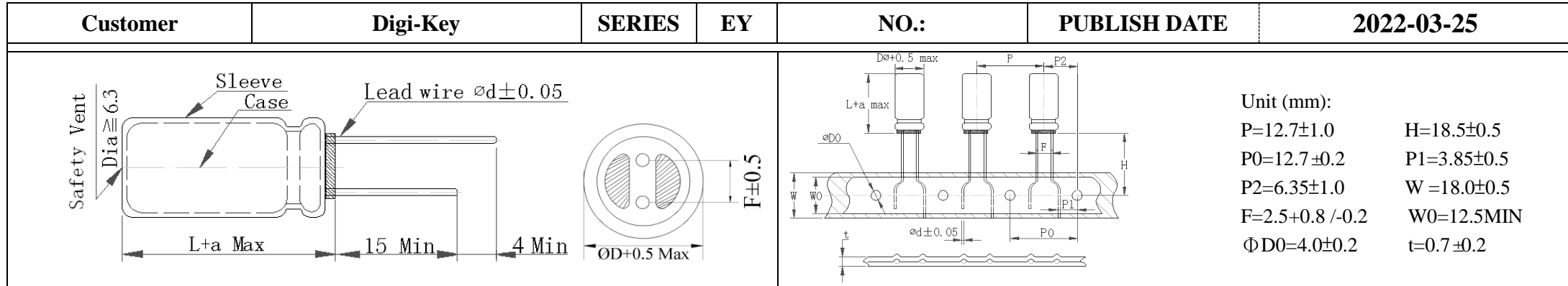
TEL: +886 2 2995 0535 <http://www.chinsan.com/products/>

11	EY1H6R8MP20511RU	/	6.8 μ F	\pm 20%	50 V	/	-55~+105	/	/	250	10000	820	5000	5	11	/	/	2.5	FIG-1
12	EY1H4R7MP20511EU	/	4.7 μ F	\pm 20%	50 V	/	-55~+105	/	/	120	/	1500	5000	5	11	/	/	2.5	FIG-1
13	EY1H220MP20511ERU	/	22 μ F	\pm 20%	50 V	/	-55~+105	/	/	250	/	800	5000	5	11	/	/	2.5	FIG-1

※Test leakage current before testing dissipation factor and capacitance during the electric characteristic test.

REMARKS:	APPROVED BY	CHECKED BY	PREPARED BY
Sleeve Color: Brown. Suffix U indicates convex rubber cover. Suffix P5 : indicates Black PET sleeve. Suffix F6 indicates the life of the capacitor is 6000 hrs.	张洪斌	曾爱娥	梁慧妍

Aluminum Electrolytic Capacitor



Original

FIG-1

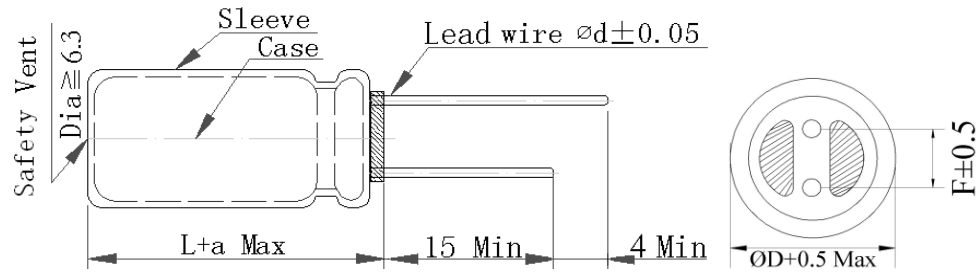
No.	CHINSAN Part No.	Customer Part No.	Capacitance (uF)	Tolerance On rated Capacitance (%)	Working Voltage (Vdc)	Surge Voltage (Vdc)	Category Temp Range (°C)	Tanδ @ 25°C (120Hz) (Max)	Leakage Current (uA) (2 min.)	Rated Ripple Current (mA rms) @ 105°C 100kHz	ESR @25°C (mΩ max/ 120Hz)	Impedance @20°C (mΩ max/ 100kHz)	Endurance @ 105°C (Hours)	Dimensions (mm)					Appearance Drawing No
														DΦ	L	a	d	F	
1	EY1A221MP26311EU	/	220 μF	±20%	10 V	/	-40~+105	/	/	340	/	220	4000	6.3	11	/	/	2.5	FIG-1
2	EY1C221MP26311ERU	/	220 μF	±20%	16 V	/	-55~+105	/	/	580	/	150	4000	6.3	11	/	/	2.5	FIG-1
3	EY1C101MP26311U	/	100 μF	±20%	16 V	/	-55~+105	/	/	310	/	1000	5000	6.3	11	/	/	2.5	FIG-1
4	EY1E101MP26311U	/	100 μF	±20%	25 V	/	-55~+105	/	/	340	1500	210	5000	6.3	11	/	/	2.5	FIG-1
5	EY1E101HP26311RU	/	100 μF	5%~20%	25 V	/	-40~+105	/	/	455	/	130	5000	6.3	11	/	/	2.5	FIG-1
6	EY1E221MP26311U	/	220 μF	±20%	25 V	/	-55~+105	/	/	500	840	450	5000	6.3	11	/	/	2.5	FIG-1
7	EY1V101MP26311P5RU	/	100 μF	±20%	35 V	/	-55~+105	/	/	500	/	700	5000	6.3	11	/	/	2.5	FIG-1
8	EY1V101MP26311EU	/	100 μF	±20%	35 V	/	-40~+105	/	/	550	/	100	5000	6.3	11	/	/	2.5	FIG-1
9	EY1H470MP26311RU	/	47 μF	±20%	50 V	/	-55~+105	/	/	300	1950	600	4000	6.3	11	/	/	2.5	FIG-1
10	EY1H101MP26315	/	100 μF	±20%	50 V	/	-55~+105	/	/	560	/	300	5000	6.3	15	/	/	2.5	FIG-1
11	EY1J220MP26311U	/	22 μF	±20%	63 V	/	-55~+105	/	/	120	/	1200	5000	6.3	11	/	/	2.5	FIG-1

*Test leakage current before testing dissipation factor and capacitance during the electric characteristic test.

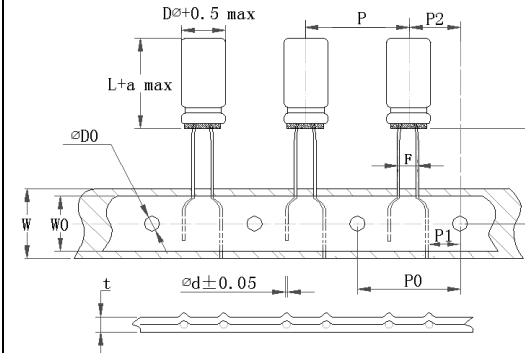
REMARKS:	APPROVED BY	CHECKED BY	PREPARED BY
Sleeve Color: Brown. Suffix U indicates convex rubber cover. Suffix P5 : indicates Black PET sleeve.	张洪斌	曾爱娥	梁慧妍

Aluminum Electrolytic Capacitor

Customer	Digi-Key	SERIES	EY	NO.:	PUBLISH DATE	2022-03-25
----------	----------	--------	----	------	--------------	------------



Original



Unit (mm):

P=12.7±1.0	H=18.5±0.5
P0=12.7±0.2	P1=3.85±0.5
P2=6.35±1.0	W =18.0±0.5
F=3.5+0.8/-0.2	F1=5.0+0.5/-0.2
W0=12.5MIN	ΦD0=4.0±0.2
t=0.7±0.2	H0=5.5±0.5

FIG-1

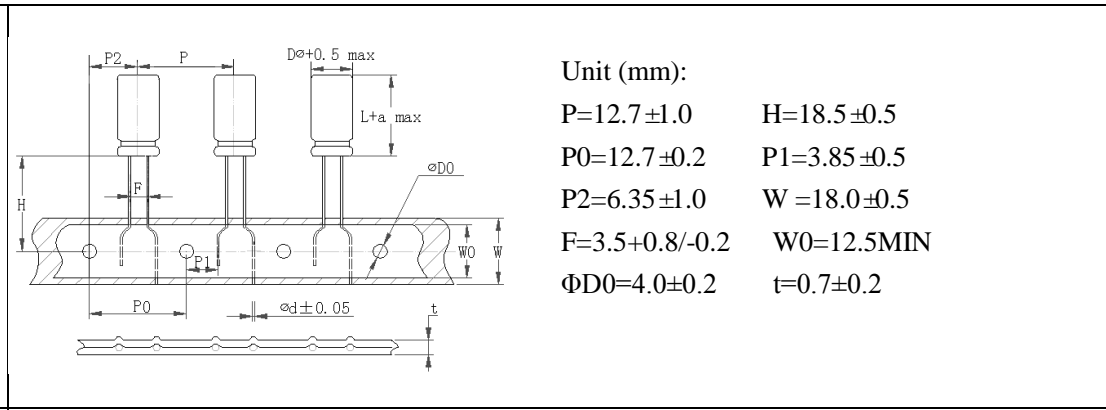
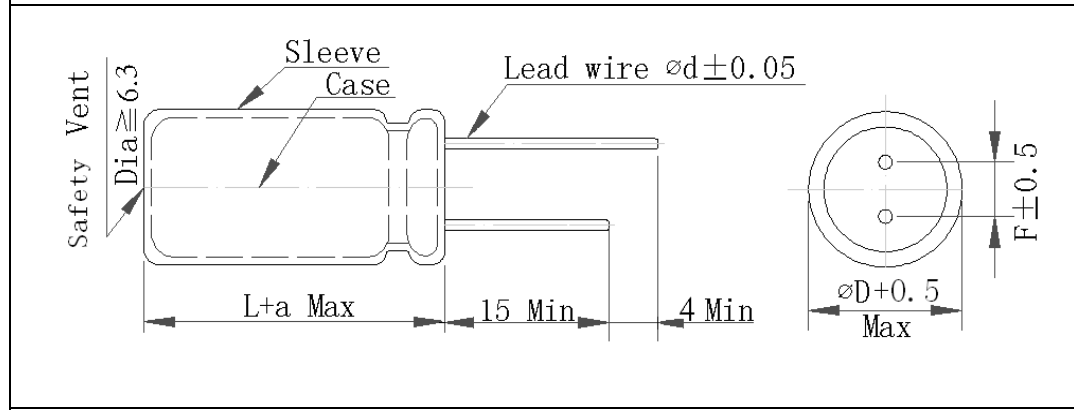
No.	CHINSAN Part No.	Customer Part No.	Capacitance (uF)	Tolerance On rated Capacitance (%)	Working Voltage (Vdc)	Surge Voltage (Vdc)	Category Temp Range (°C)	Tanδ @ 25°C (120Hz) (Max)	Leakage Current (uA) (2 min.)	Rated Ripple Current (mA rms) @ 105°C 100kHz	ESR @25°C (mΩ max/ 120Hz)	Impedance @20°C (mΩ max/ 100kHz)	Endurance @ 105°C (Hours)	Dimensions (mm)					Appearance Drawing No
														DΦ	L	a	d	F	
1	EY1H3R3MP30511EU	/	3.3 μF	±20%	50 V	/	-55~+105	/	/	58	/	1760	5000	5	11	/	/	3.5	FIG-1

※Test leakage current before testing dissipation factor and capacitance during the electric characteristic test.

REMARKS:	APPROVED BY	CHECKED BY	PREPARED BY
Sleeve Color: Brown. Suffix U indicates convex rubber cover.	张洪斌	曾爱娥	梁慧妍

Aluminum Electrolytic Capacitor

Customer	Digi-Key	SERIES	EY	NO.:	PUBLISH DATE	2022-03-25
----------	----------	--------	----	------	--------------	------------



Original **FIG-1**

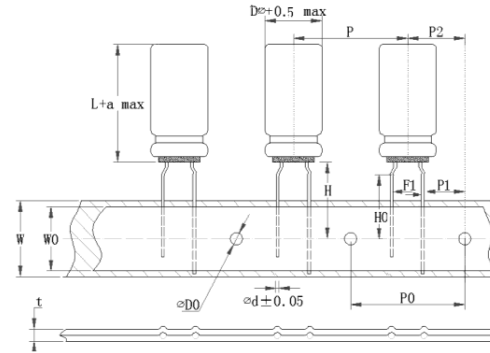
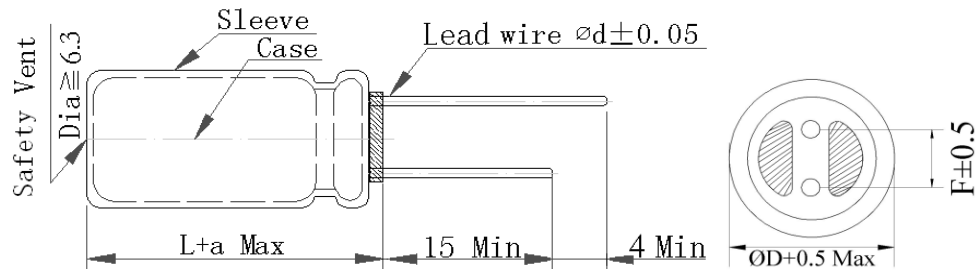
No.	CHINSAN Part No.	Customer Part No.	Capacitance (uF)	Tolerance On rated Capacitance (%)	Working Voltage (Vdc)	Surge Voltage (Vdc)	Category Temp Range (°C)	Tanδ @ 25°C (120Hz) (Max)	Leakage Current (uA) (2 min.)	Rated Ripple Current (mA rms) @ 105°C 100kHz	ESR @25°C (mΩ max/ 120Hz)	Impedance @20°C (mΩ max/ 100kHz)	Endurance @ 105°C (Hours)	Dimensions (mm)					Appearance Drawing No
														DΦ	L	a	d	F	
1	EY1C471MP308B5E	/	470 μF	±20%	16 V	/	-40~+105	/	/	1030	/	1300	7000	8	11.5	/	/	3.5	FIG-1
2	EY1V221MP30812	/	220 μF	±20%	35 V	/	-55~+105	/	/	1000	/	72	7000	8	12	/	/	3.5	FIG-1

※Test leakage current before testing dissipation factor and capacitance during the electric characteristic test.

REMARKS:	APPROVED BY	CHECKED BY	PREPARED BY
Sleeve Color: Brown.	张洪斌	曾爱娥	梁慧妍

Aluminum Electrolytic Capacitor

Customer	Digi-Key	SERIES	EY	NO.:	PUBLISH DATE	2022-03-25
-----------------	-----------------	---------------	-----------	-------------	---------------------	-------------------



Unit (mm):

P=12.7 ± 1.0

H0=16.0 ± 0.5

P0=12.7 ± 0.2

W=18.0 ± 0.5

P1=3.85 ± 0.5

W0=12.5 MIN

P2=6.35 ± 1.0

$\Phi D0 = 4.0 \pm 0.2$

F1=5.0 $+0.8/-0.2$

t=0.7 ± 0.2

H=18.5 ± 0.5

Original

FIG-1

No.	CHINSAN Part No.	Customer Part No.	Capacitance (uF)	Tolerance On rated Capacitance (%)	Working Voltage (Vdc)	Surge Voltage (Vdc)	Category Temp Range (°C)	Tan δ @ 25°C (120Hz) (Max)	Leakage Current (uA) (2 min.)	Rated Ripple Current (mA rms) @ 105°C 100kHz	ESR @ 25°C (m Ω max/ 120Hz)	Impedance @ 20°C (m Ω max/ 100kHz)	Endurance @ 105°C (Hours)	Dimensions (mm)					Appearance Drawing No
														D Φ	L	a	d	F1	
1	EY2A100MP50511U	/	10 μ F	$\pm 20\%$	100 V	/	-55~+105	/	/	120	/	1500	5000	5	11	/	/	5	FIG-1
2	EY1V470MP50511EU	/	47 μ F	$\pm 20\%$	35 V	/	-55~+105	/	/	250	3390	410	5000	5	11	/	/	5	FIG-1

※Test leakage current before testing dissipation factor and capacitance during the electric characteristic test.

REMARKS:

APPROVED BY

CHECKED BY

PREPARED BY

Sleeve Color: Brown.
Suffix U indicates convex rubber cover.

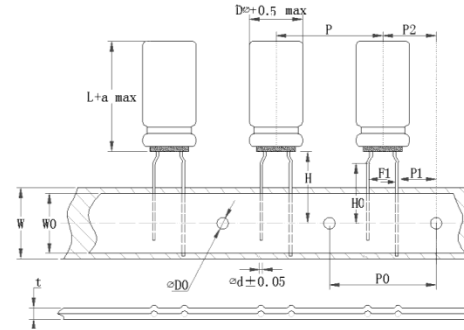
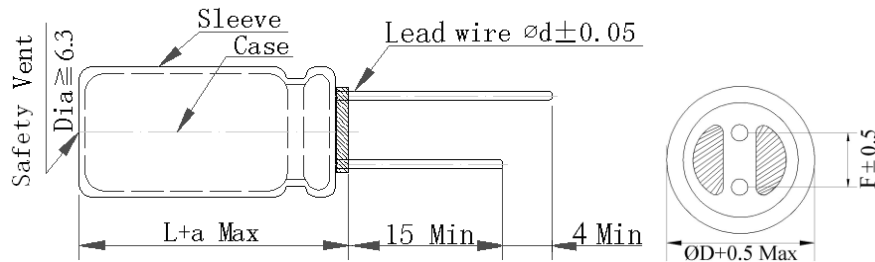
张洪斌

曾爱娥

梁慧妍

Aluminum Electrolytic Capacitor

Customer	Digi-Key	SERIES	EY	NO.:	PUBLISH DATE	2022-03-25
-----------------	-----------------	---------------	-----------	-------------	---------------------	-------------------



Unit (mm):

P=12.7±1.0	H0=16.0±0.5
P0=12.7±0.2	W=18.0±0.5
P1=3.85±0.5	W0=12.5MIN
P2=6.35±1.0	ΦD0=4.0±0.2
F1=5.0+0.8/-0.2	t=0.7±0.2
H=18.5±0.5	

Original

FIG-1

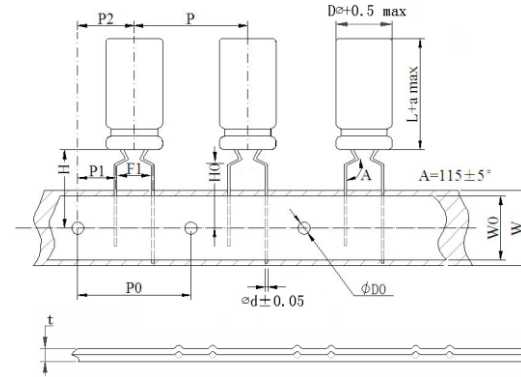
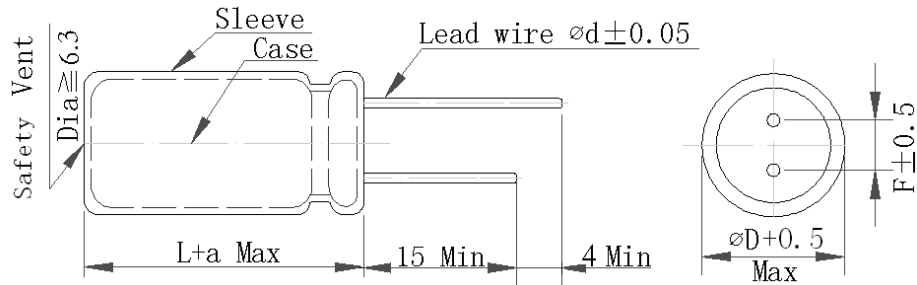
No.	CHINSAN Part No.	Customer Part No.	Capacitance (uF)	Tolerance On rated Capacitance (%)	Working Voltage (Vdc)	Surge Voltage (Vdc)	Category Temp Range (°C)	Tanδ @ 25°C (120Hz) (Max)	Leakage Current (uA) (2 min.)	Rated Ripple Current (mA rms) @ 105°C 100kHz	ESR @25°C (mΩ max/ 120Hz)	Impedance @20°C (mΩ max/ 100kHz)	Endurance @ 105°C (Hours)	Dimensions (mm)					Appearance Drawing No
														DΦ	L	a	d	F1	
1	EY2A150MP56311EU	/	15 μF	±20%	100 V	/	-55~+105	/	/	267	/	960	5000	6.3	11	/	/	5	FIG-1
2	EY1H470MP56311EU	/	47 μF	±20%	50 V	/	-55~+105	/	/	400	/	380	5000	6.3	11	/	/	5	FIG-1

※Test leakage current before testing dissipation factor and capacitance during the electric characteristic test.

REMARKS:	APPROVED BY	CHECKED BY	PREPARED BY
Sleeve Color: Brown. Suffix U indicates convex rubber cover.	张洪斌	曾爱娥	梁慧妍

Aluminum Electrolytic Capacitor

Customer	Digi-Key	SERIES	EY	NO.:	PUBLISH DATE	2022-03-25
-----------------	-----------------	---------------	-----------	-------------	---------------------	-------------------



Unit(mm):

P=12.7±1.0	H0=16.0±0.5
P0=12.7±0.2	W =18.0±0.5
P1=3.85±0.5	W0=12.5MIN
P2=6.35±1.0	ΦD0=4.0±0.2
F1=5.0+0.8/-0.2	H=18.5±0.5
t=0.7±0.2	

Original

FIG-1

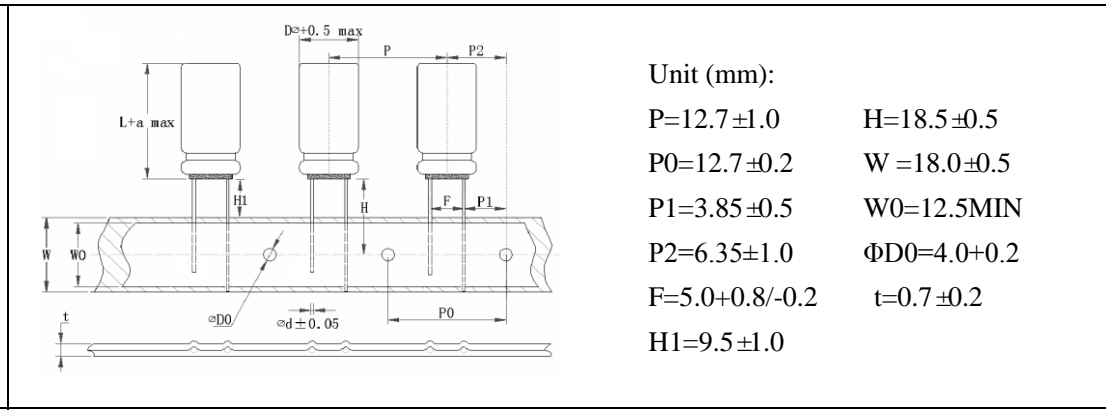
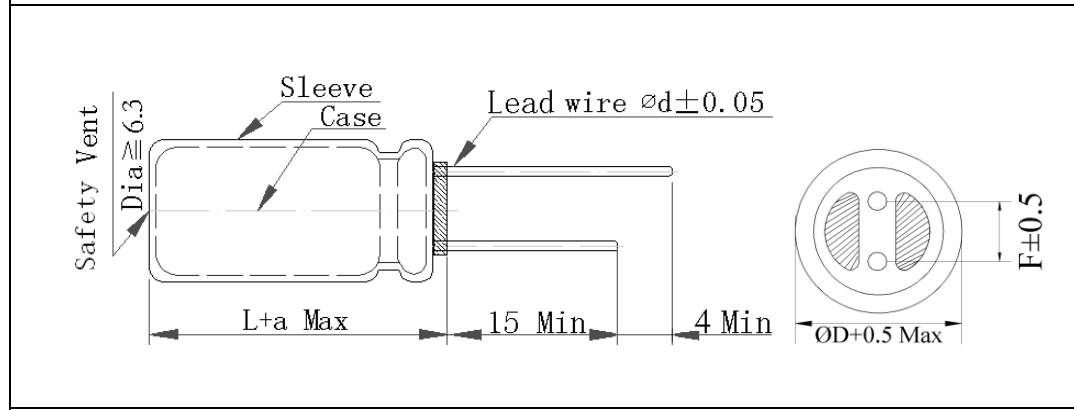
No.	CHINSAN Part No.	Customer Part No.	Capacitance (uF)	Tolerance On rated Capacitance (%)	Working Voltage (Vdc)	Surge Voltage (Vdc)	Category Temp Range (°C)	Tanδ @ 25°C (120Hz) (Max)	Leakage Current (uA) (2 min.)	Rated Ripple Current (mA rms) @ 105°C 100kHz	ESR @25°C (mΩ max/ 120Hz)	Impedance @20°C (mΩ max/ 100kHz)	Endurance @ 105°C (Hours)	Dimensions (mm)					Appearance Drawing No
														D Φ	L	a	d	F1	
1	EY1E471MP50816E	/	470 μF	±20%	25 V	/	-55~+105	/	/	1280	/	110	7000	8	16	/	/	5	FIG-1
2	EY1E331MP50816	/	330 μF	±20%	25 V	/	-55~+105	/	/	850	/	220	7000	8	16	/	/	5	FIG-1
3	EY1V221MP50815E	/	220 μF	±20%	35 V	/	-40~+105	/	/	850	/	86	7000	8	15	/	/	5	FIG-1
4	EY1V101MP508B5E	/	100 μF	±20%	35 V	/	-55~+105	/	/	510	/	170	7000	8	11.5	/	/	5	FIG-1

※Test leakage current before testing dissipation factor and capacitance during the electric characteristic test.

REMARKS:	APPROVED BY	CHECKED BY	PREPARED BY
Sleeve Color: Brown.	张洪斌	曾爱娥	梁慧妍

Aluminum Electrolytic Capacitor

Customer	Digi-Key	SERIES	EY	NO.:	PUBLISH DATE	2022-03-25
----------	----------	--------	----	------	--------------	------------



Original **FIG-1**

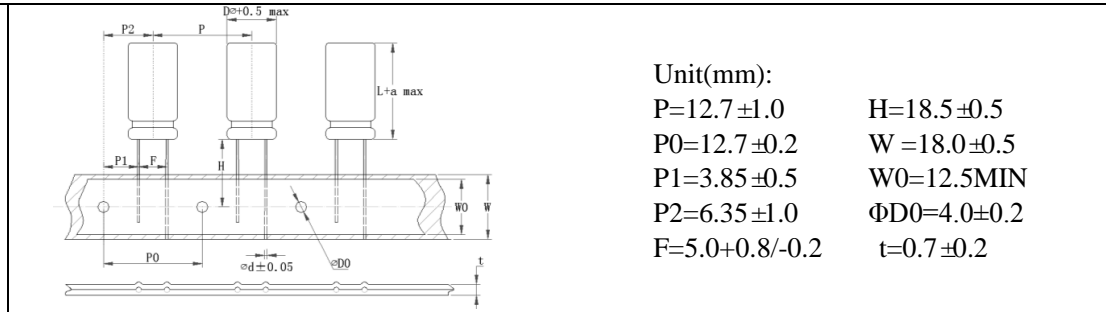
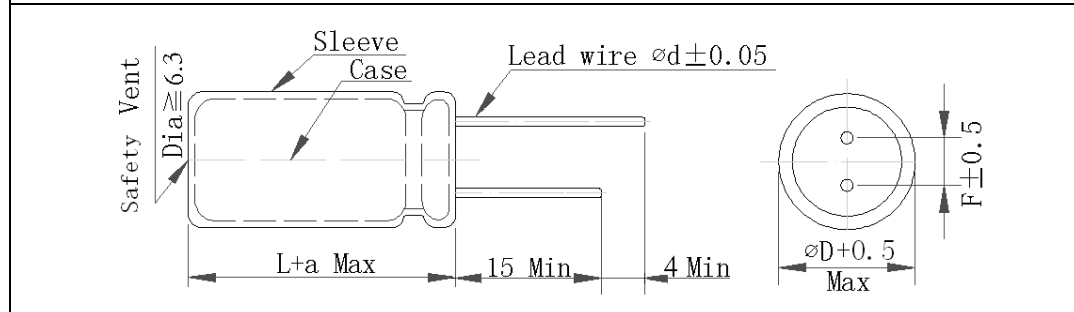
No.	CHINSAN Part No.	Customer Part No.	Capacitance (uF)	Tolerance On rated Capacitance (%)	Working Voltage (Vdc)	Surge Voltage (Vdc)	Category Temp Range (°C)	Tanδ @ 25°C (120Hz) (Max)	Leakage Current (uA) (2 min.)	Rated Ripple Current (mA rms) @ 105°C 100kHz	ESR @25°C (mΩ max/ 120Hz)	Impedance @20°C (mΩ max/ 100kHz)	Endurance @ 105°C (Hours)	Dimensions (mm)					Appearance Drawing No
														DΦ	L	a	d	F	
1	EY1C102MP51016EU	/	1000 μF	±20%	16 V	/	-40~+105	/	/	1815	/	30	7000	10	16	/	/	5	FIG-1
2	EY1V331MP510C5U	/	330 μF	±20%	35 V	/	-55~+105	/	/	1020	/	/	7000	10	12.5	/	/	5	FIG-1

※Test leakage current before testing dissipation factor and capacitance during the electric characteristic test.

REMARKS:	APPROVED BY	CHECKED BY	PREPARED BY
Sleeve Color: Brown. Suffix U indicates convex rubber cover.	张洪斌	曾爱娥	梁慧妍

Aluminum Electrolytic Capacitor

Customer	Digi-Key	SERIES	EY	NO.:	PUBLISH DATE	2022-03-25
----------	----------	--------	----	------	--------------	------------



Original

FIG-1

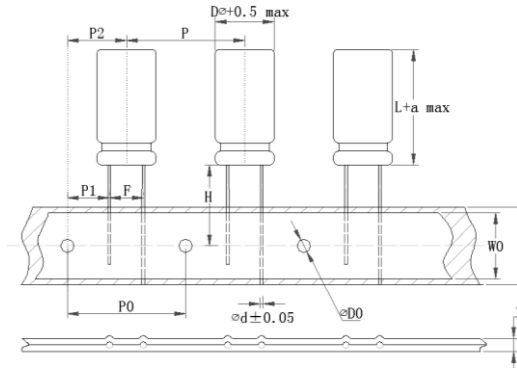
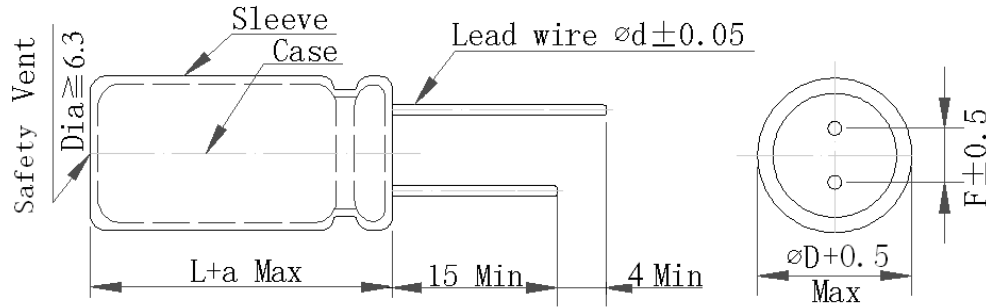
No.	CHINSAN Part No.	Customer Part No.	Capacitance (uF)	Tolerance On rated Capacitance (%)	Working Voltage (Vdc)	Surge Voltage (Vdc)	Category Temp Range (°C)	Tanδ @ 25°C (120Hz) (Max)	Leakage Current (uA) (2 min.)	Rated Ripple Current (mA rms) @ 105°C 100kHz	ESR @25°C (mΩ max/ 120Hz)	Impedance @20°C (mΩ max/ 100kHz)	Endurance @ 105°C (Hours)	Dimensions (mm)					Appearance Drawing No
														DΦ	L	a	d	F	
1	EY1C222MP51023F6	/	2200 μF	±20%	16 V	/	-55~+105	/	/	2400	/	30	6000	10	23	/	/	5	FIG-1
2	EY1C681MP51015E	/	680 μF	±20%	16 V	/	-55~+105	/	/	1210	/	64	7000	10	15	/	/	5	FIG-1
3	EY1C102MP51020E	/	1000 μF	±20%	16 V	/	-55~+105	/	/	2200	/	46	7000	10	20	/	/	5	FIG-1
4	EY1C152MP51020E	/	1500 μF	±20%	16 V	/	-40~+105	/	/	2500	/	19	7000	10	20	/	/	5	FIG-1
5	EY1E102MP51020	/	1000 μF	±20%	25 V	/	-55~+105	/	/	1700	/	78	7000	10	20	/	/	5	FIG-1
6	EY1V681MP51020E	/	680 μF	±20%	35 V	/	-40~+105	/	/	1960	/	20	2000	10	20	/	/	5	FIG-1
7	EY1V221MP51012	/	220 μF	±20%	35 V	/	-40~+105	/	/	890	/	120	7000	10	12	/	/	5	FIG-1
8	EY1H221MP51012E	/	220 μF	±20%	50 V	/	-40~+105	/	/	1330	/	83	7000	10	12	/	/	5	FIG-1
9	EY1J820MP510C5ER	/	82 μF	±20%	63 V	/	-55~+105	/	/	680	/	350	7000	10	12.5	/	/	5	FIG-1
10	EY1J470MP51007E	/	47 μF	±20%	63 V	/	-55~+105	/	/	850	/	250	7000	10	7	/	/	5	FIG-1

※Test leakage current before testing dissipation factor and capacitance during the electric characteristic test.

REMARKS: Sleeve Color: Brown. Suffix F6 indicates the life of the capacitor is 6000 hrs.	APPROVED BY 张洪斌	CHECKED BY 曾爱娥	PREPARED BY 梁慧妍
--	--------------------	-------------------	--------------------

Aluminum Electrolytic Capacitor

Customer	Digi-Key	SERIES	EY	NO.:	PUBLISH DATE	2022-03-25
-----------------	-----------------	---------------	-----------	-------------	---------------------	-------------------



Unit(mm):

$P=15.0 \pm 1.0$	$H=18.5 \pm 0.5$
$P0=15.0 \pm 0.2$	$W=18.0 \pm 0.5$
$P1=5.0 \pm 0.5$	$W0=12.5 MIN$
$P2=7.5 \pm 1.0$	$\phi D0=4.0 \pm 0.2$
$F=5.0+0.8/-0.2$	$t=0.7 \pm 0.2$

Original

FIG-1

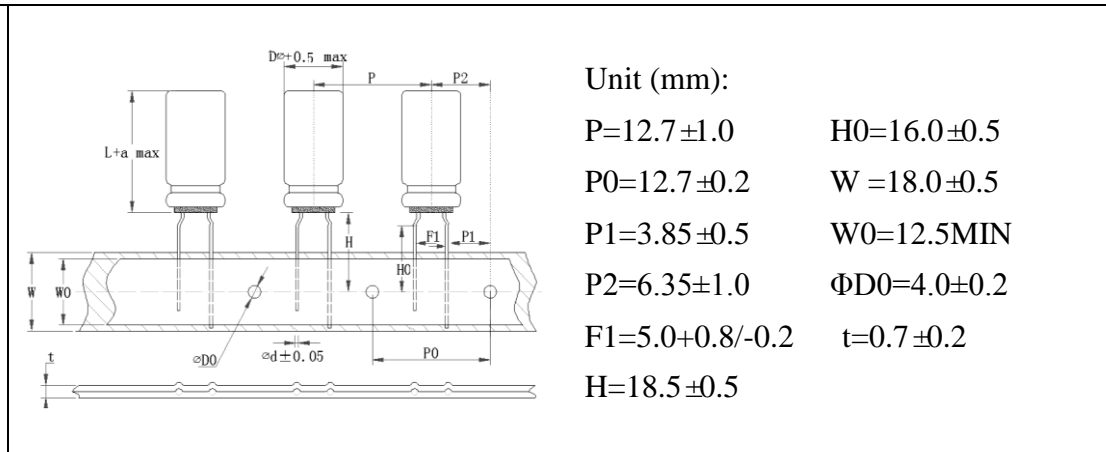
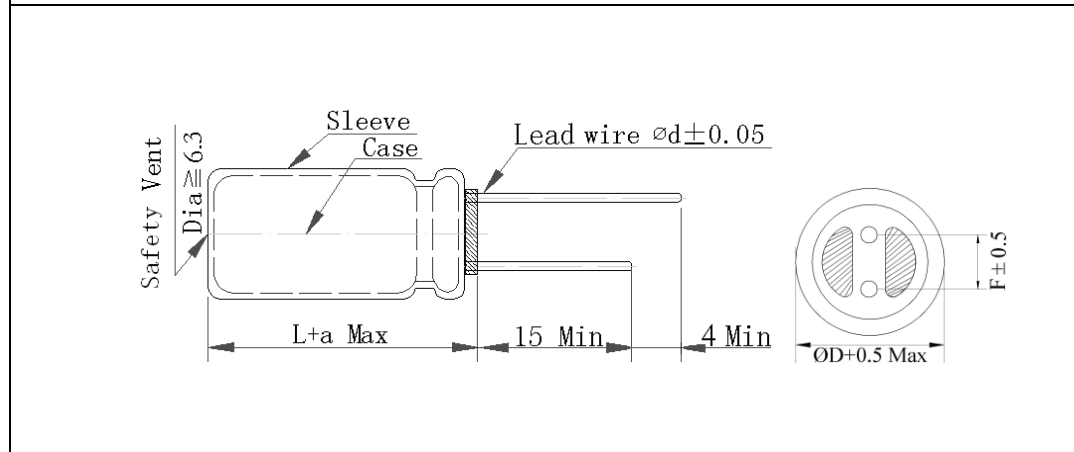
No.	CHINSAN Part No.	Customer Part No.	Capacitance (uF)	Tolerance On rated Capacitance (%)	Working Voltage (Vdc)	Surge Voltage (Vdc)	Category Temp Range (°C)	Tanδ @ 25°C (120Hz) (Max)	Leakage Current (uA) (2 min.)	Rated Ripple Current (mA rms) @ 105°C 100kHz	ESR @25°C (mΩ max/ 120Hz)	Impedance @20°C (mΩ max/ 100kHz)	Endurance @ 105°C (Hours)	Dimensions (mm)					Appearance Drawing No
														Dφ	L	a	d	F	
1	EY1C152MP51216E	/	1500 μF	±20%	16 V	/	-40~+105	/	/	2200	140	85	10000	12.5	16	/	/	5	FIG-1
2	EY1J681MP51225E	/	680 μF	±20%	63 V	/	-55~+105	/	/	2200	/	43	10000	12.5	25	/	/	5	FIG-1
3	EY1J471MP51220	/	470 μF	±20%	63 V	/	-55~+105	/	/	1600	300	85	10000	12.5	20	/	/	5	FIG-1
4	EY1K331MP51225ER	/	330 μF	±20%	80 V	/	-55~+105	/	/	1620	/	60	10000	12.5	25	/	/	5	FIG-1

※Test leakage current before testing dissipation factor and capacitance during the electric characteristic test.

REMARKS:	APPROVED BY	CHECKED BY	PREPARED BY
Sleeve Color: Brown.	张洪斌	曾爱娥	梁慧妍

Aluminum Electrolytic Capacitor

Customer	Digi-Key	SERIES	EY	NO.:	PUBLISH DATE	2022-03-25
-----------------	-----------------	---------------	-----------	-------------	---------------------	-------------------



Original	FIG-1
-----------------	--------------

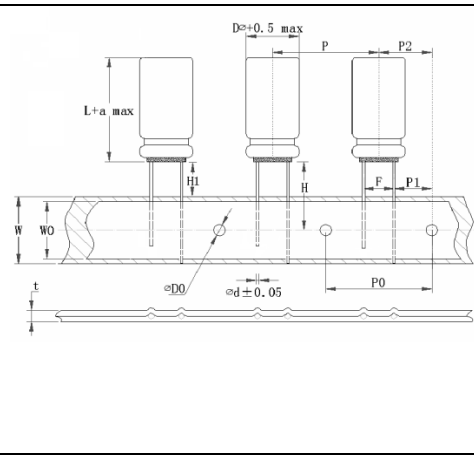
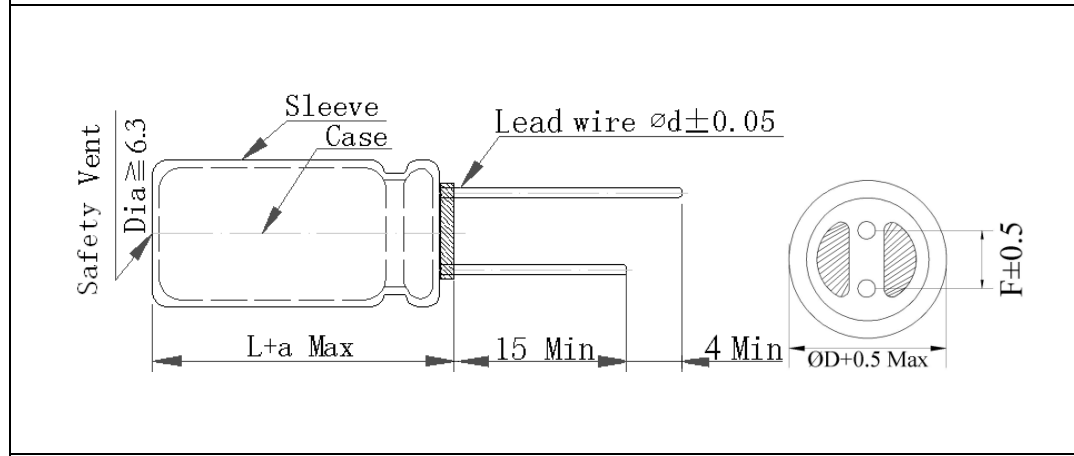
No.	CHINSAN Part No.	Customer Part No.	Capacitance (uF)	Tolerance On rated Capacitance (%)	Working Voltage (Vdc)	Surge Voltage (Vdc)	Category Temp Range (°C)	Tanδ @ 25°C (120Hz) (Max)	Leakage Current (uA) (2 min.)	Rated Ripple Current (mA rms) @ 105°C 100kHz	ESR @25°C (mΩ max/ 120Hz)	Impedance @20°C (mΩ max/ 100kHz)	Endurance @ 105°C (Hours)	Dimensions (mm)					Appearance Drawing No
														DΦ	L	a	d	F1	
1	EY1H330MPN6311U	/	33 μF	±20%	50 V	/	-55~+105	/	/	205	/	1500	5000	6.3	11	/	/	5	FIG-1

※Test leakage current before testing dissipation factor and capacitance during the electric characteristic test.

REMARKS:	APPROVED BY	CHECKED BY	PREPARED BY
Sleeve Color: Brown. Suffix U indicates convex rubber cover.	张洪斌	曾爱娥	梁慧妍

Aluminum Electrolytic Capacitor

Customer	Digi-Key	SERIES	EY	NO.:	PUBLISH DATE	2022-03-25
----------	----------	--------	----	------	--------------	------------



Unit (mm):

P=12.7±1.0	H=18.5±0.5
P0=12.7±0.2	W =18.0±0.5
P1=3.85±0.5	W0=12.5MIN
P2=6.35±1.0	ΦD0=4.0+0.2
F=5.0+0.8/-0.2	t=0.7±0.2
H1=9.5±1.0	

Original **FIG-1**

No.	CHINSAN Part No.	Customer Part No.	Capacitance (uF)	Tolerance On rated Capacitance (%)	Working Voltage (Vdc)	Surge Voltage (Vdc)	Category Temp Range (°C)	Tanδ @ 25°C (120Hz) (Max)	Leakage Current (uA) (2 min.)	Rated Ripple Current (mA rms) @ 105°C 100kHz	ESR @25°C (mΩ max/ 120Hz)	Impedance @20°C (mΩ max/ 100kHz)	Endurance @ 105°C (Hours)	Dimensions (mm)					Appearance Drawing No
														DΦ	L	a	d	F	
1	EY1V471MPN1020U	/	470 μF	±20%	35 V	/	-55~+105	/	/	1410	/	80	7000	10	20	/	/	5	FIG-1

※Test leakage current before testing dissipation factor and capacitance during the electric characteristic test.

REMARKS:	APPROVED BY	CHECKED BY	PREPARED BY
Sleeve Color: Brown.	张洪斌	曾爱娥	梁慧妍