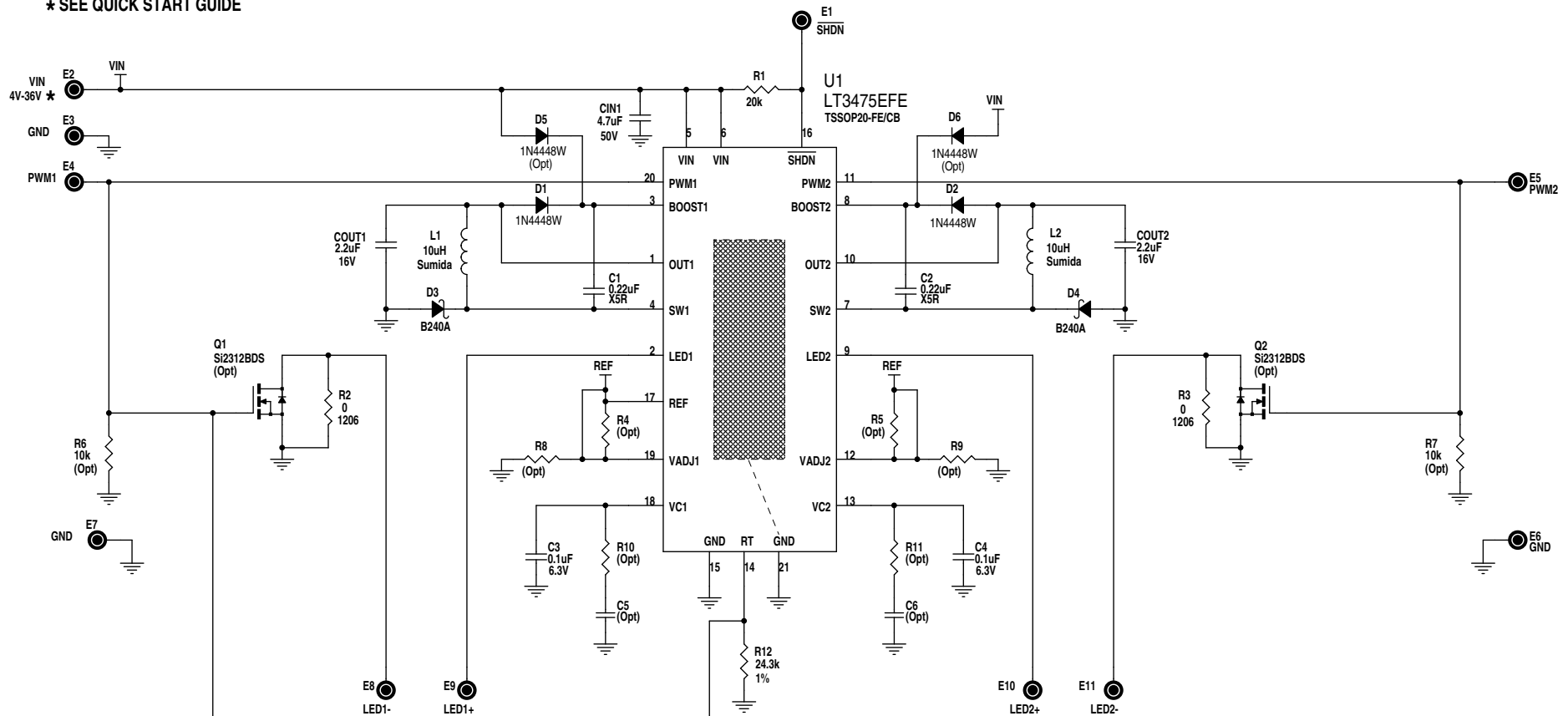
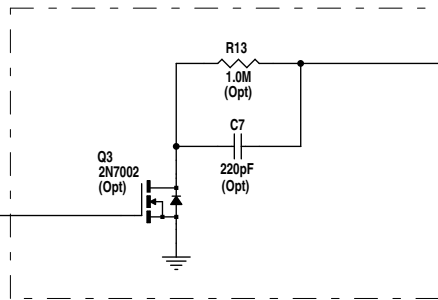


REVISION HISTORY				
ECO	REV	DESCRIPTION	DATE	APPROVED
----	0	1st PROTOTYPE	<DATE>	DAVID NG

\* SEE QUICK START GUIDE



OPTIONAL  
EXTENDED DIMMING RANGE



**CUSTOMER NOTICE**  
 LINEAR TECHNOLOGY HAS MADE A BEST EFFORT TO DESIGN A CIRCUIT THAT MEETS CUSTOMER-SUPPLIED SPECIFICATIONS; HOWEVER, IT REMAINS THE CUSTOMER'S RESPONSIBILITY TO VERIFY PROPER AND RELIABLE OPERATION IN THE ACTUAL APPLICATION. COMPONENT SUBSTITUTION AND PRINTED CIRCUIT BOARD LAYOUT MAY SIGNIFICANTLY AFFECT CIRCUIT PERFORMANCE OR RELIABILITY. CONTACT LINEAR TECHNOLOGY APPLICATIONS ENGINEERING FOR ASSISTANCE.  
 THIS CIRCUIT IS PROPRIETARY TO LINEAR TECHNOLOGY AND SUPPLIED FOR USE WITH LINEAR TECHNOLOGY PARTS.

CONTRACT NO.  
 APPROVALS  
 DRAWN: Rudy B  
 CHECKED:  
 APPROVED:  
 ENGINEER: KEITH S.  
 DESIGNER:



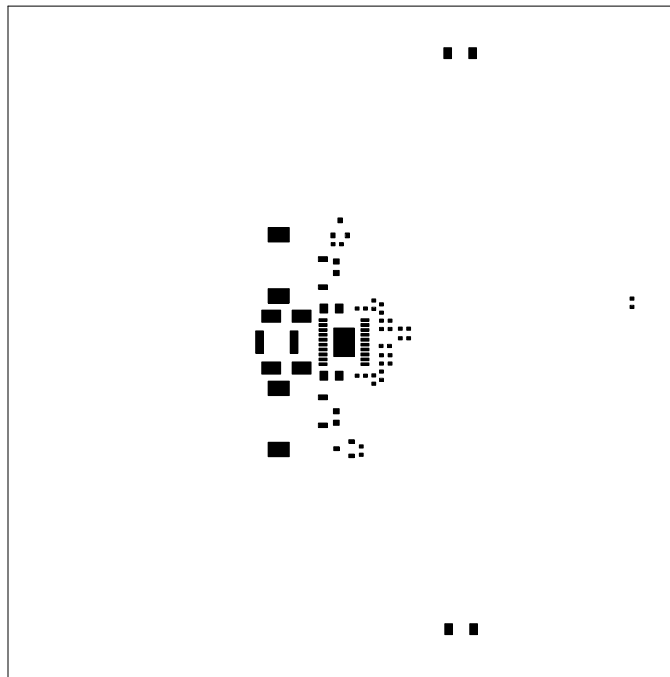
1630 McCarthy Blvd.  
 Milpitas, CA 95035  
 Phone: (408)432-1900  
 Fax: (408)434-0507  
 LTC Confidential-For Customer Use Only

TITLE: SCHEMATIC  
**Dual Step-Down 1.5A LED Driver**  
 SIZE A DWG NO. DEMO CIRCUIT 923A REV 2

DATE: Tuesday, May 09, 2006 SHEET 1 OF 1

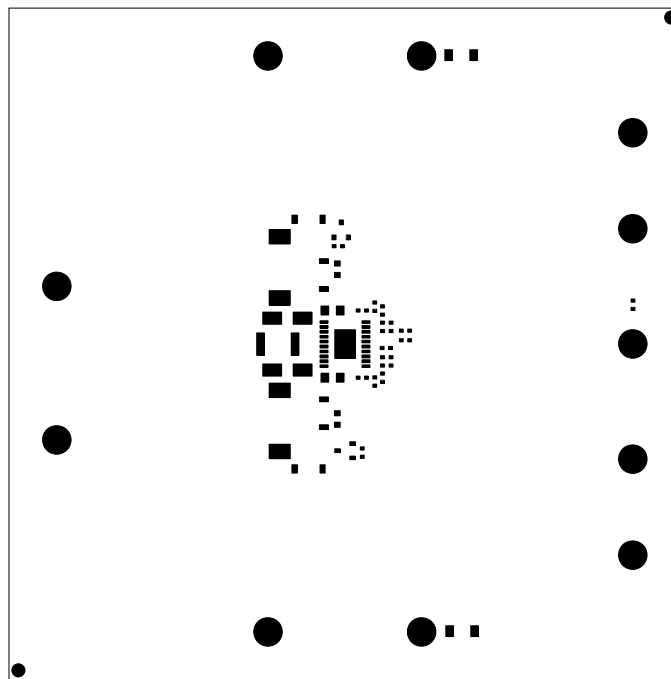
Linear Tech. Corp.  
Demo Circuit 923A

PasteMask Top

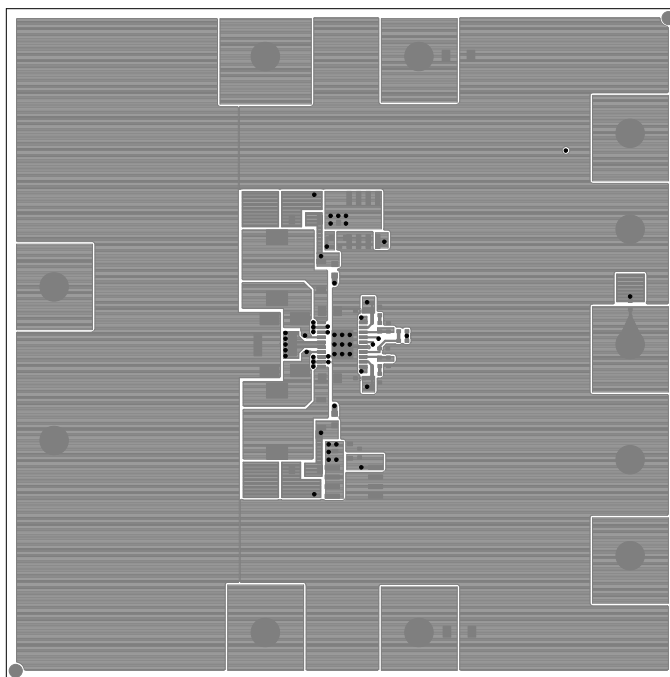


Linear Tech. Corp.  
Demo Circuit 923A

SolderMask Top

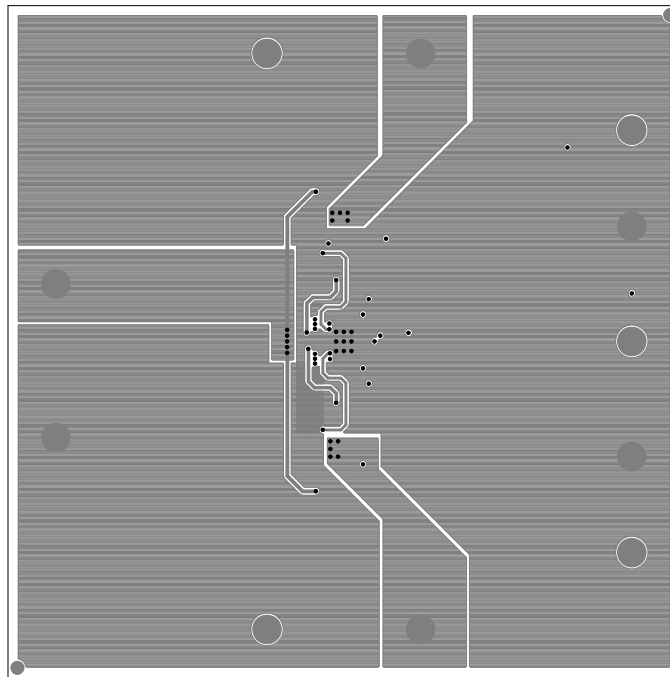


Linear Tech. Corp.  
Demo Circuit 923A  
Component Side



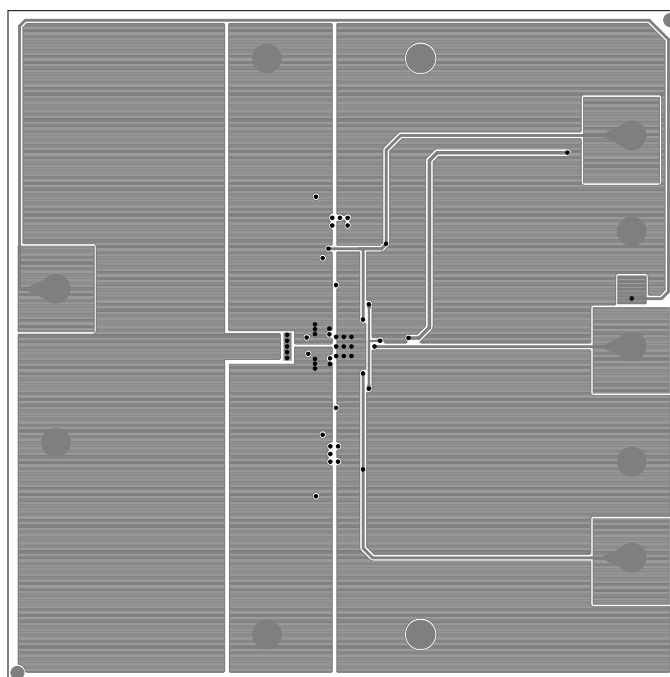
Linear Tech. Corp.  
Demo Circuit 923A

Layer2



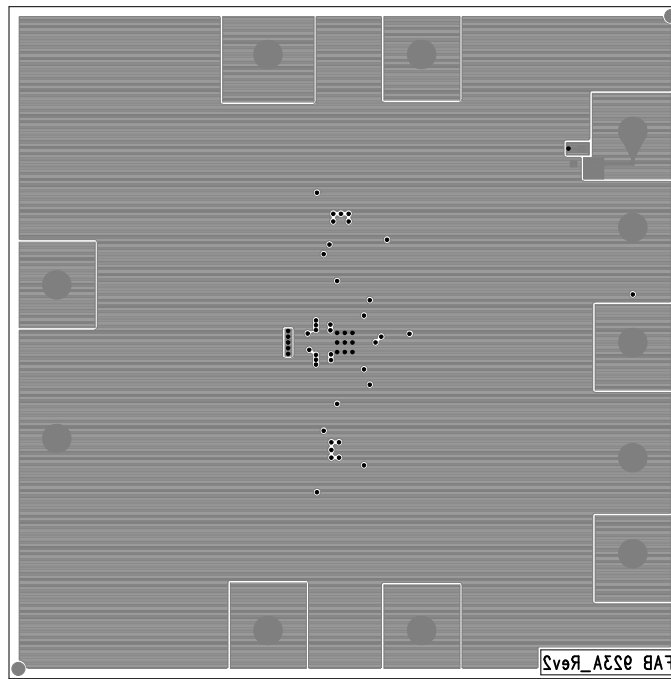
Linear Tech. Corp.  
Demo Circuit 923A

Layer3



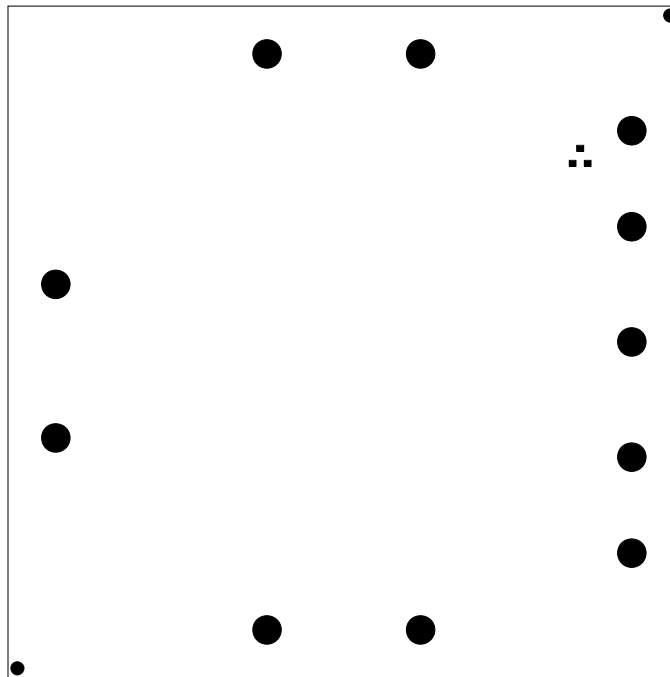
Linear Tech. Corp.  
Demo Circuit 923A

Solder Side



Linear Tech. Corp.  
Demo Circuit 923A

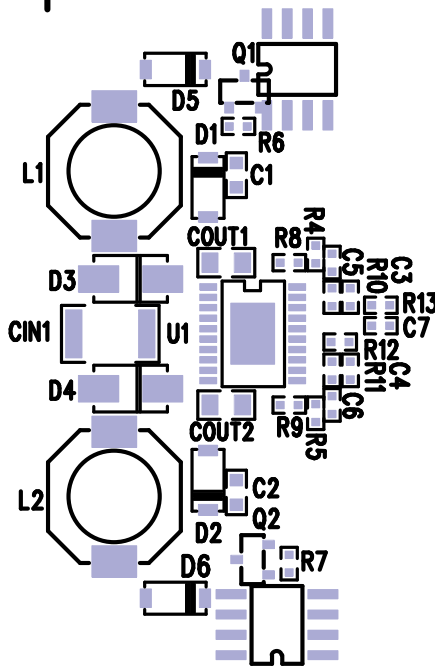
SolderMask Bottom





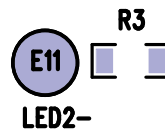
**LT3475EFE**  
 Demo Circuit 923A  
 Dual Step-Down 1.5A LED Driver

VIN  
 4V-36V\*



(408)432-1900  
 www.linear.com

\*SEE QUICK START GUIDE  
 LTC Confidential -  
 For Customer Use Only



# Assembly Drawing, Top



Linear Tech. Corp.  
Demo Circuit 923A

Silkscreen Top

