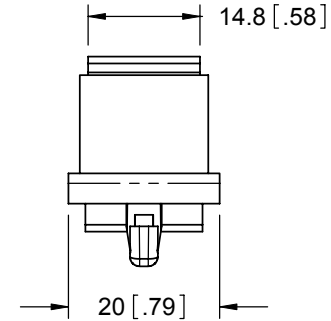
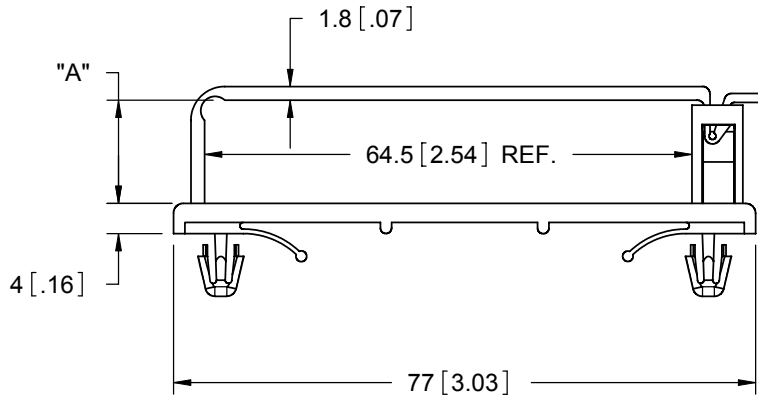
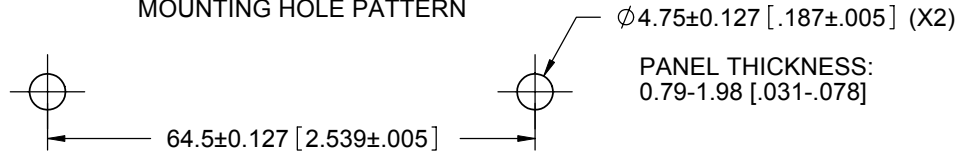


PART. NO.	"A" REF.
FCCB-1	7.2 [.28]
FCCB-2	13.7 [.54]



MOUNTING HOLE PATTERN



NOTES:

1. MATERIAL: NYLON 6/6 UL 94 V-2 (RMS-01).
NYLON 6/6 UL 94 V-0 (RMS-19) AVAILABLE BY SPECIAL ORDER ONLY.
2. COLOR: NATURAL.
3. PART DESIGNED IN METRIC - ENGLISH UNITS ARE FOR REFERENCE ONLY.

TITLE: FLAT CABLE CLAMP - ARROWHEAD MOUNTED					DWG IN MM [IN]	
CREATED USING SOLIDWORKS	FILE #: FCCB	DWN: S.J.	APP: SJ	FINAL		
TOLERANCES UNLESS NOTED ± 0.25	SHEET: 1 OF 1	SHEET SIZE: A	DT: 1.2.06	CHKD: SK	PART #	PRINT TYPE
RE: RICHCO, INC. --	RICHCO, INC. ENG@RICHCO-INC.COM (773) 539-4060			SEE TABLE		CA

B	SEE ECN #1301 FOR CHANGES	SK	03/27/07
A	RELEASED FOR PRODUCTION	SK	01/02/06
REV.	DESCRIPTION	ENGR.	DATE