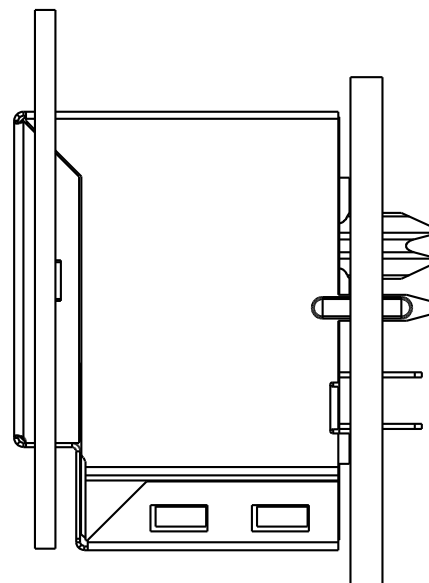
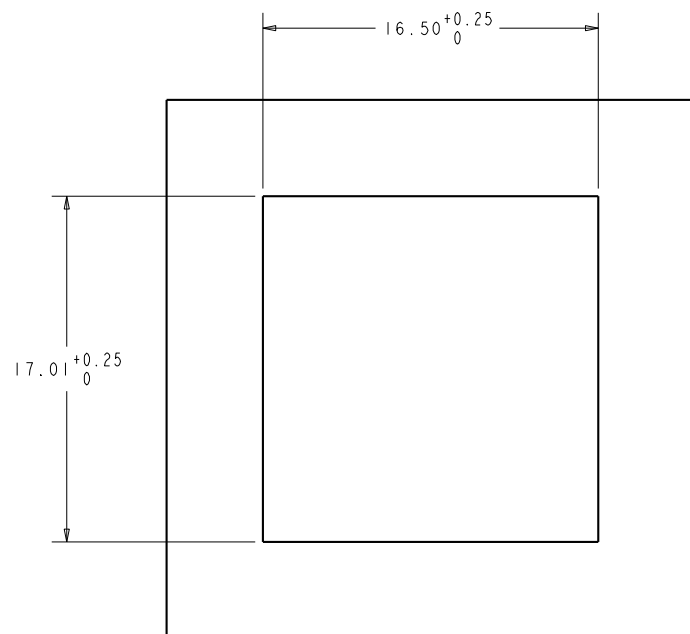
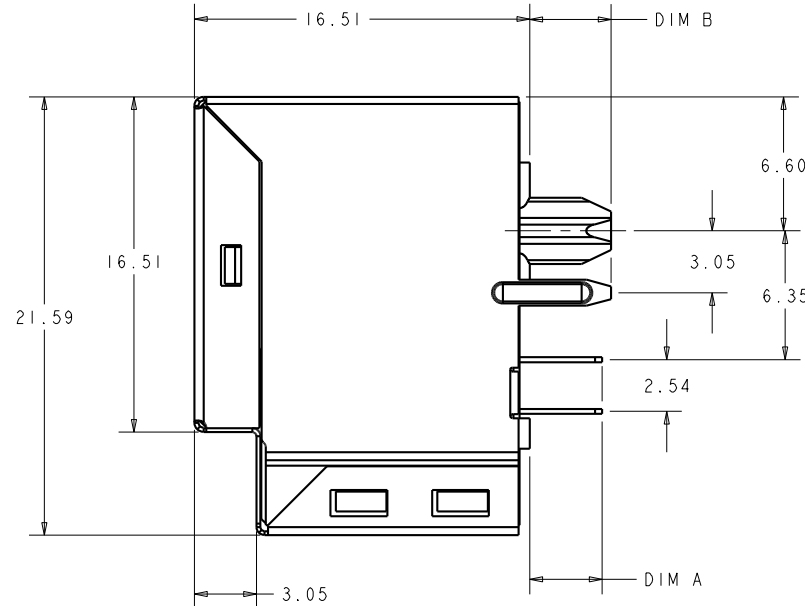
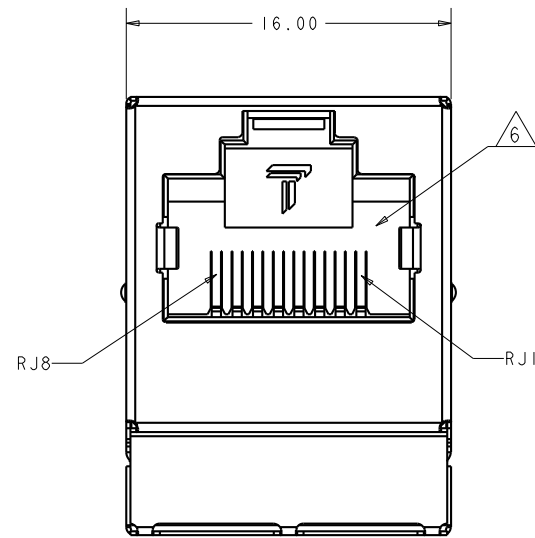
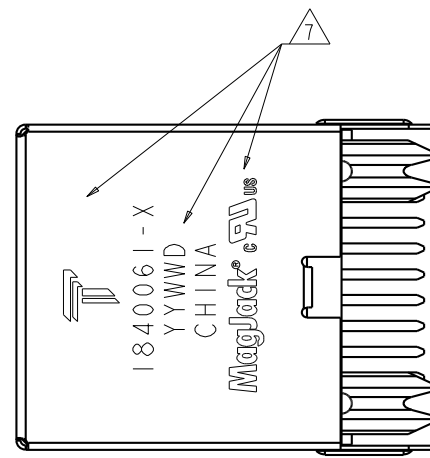
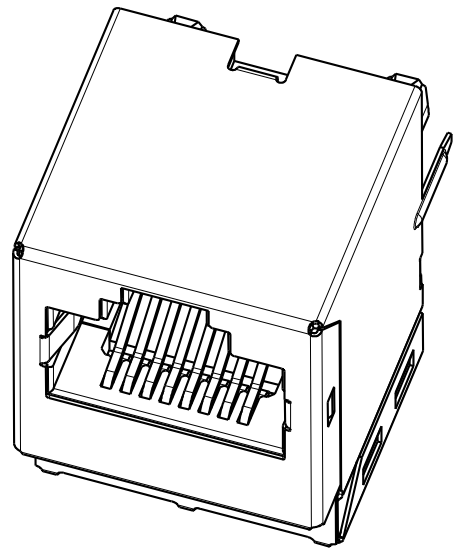


THIS DRAWING AND THE SUBJECT MATTER SHOWN THEREON ARE CONFIDENTIAL AND THE PROPERTY OF BEL/STEWART/TRP CONNECTOR AND SHALL NOT BE REPRODUCED, COPIED, OR USED IN ANY MANNER WITHOUT THE WRITTEN CONSENT OF TRP CONNECTOR.

PRODUCT MAY BE PROTECTED BY ONE OR MORE OF THE FOLLOWING US PATENTS:  
 5736910 5939955 6425781 6428361 6554638 6840817 7123117  
 7429195 7717749 7808751 6217391 6149050 7924130

REVISIONS				
P	LTR	DESCRIPTION	DATE	APVD
D		EC-1411035, LOGO CHANGE	15JAN2015	JC TY

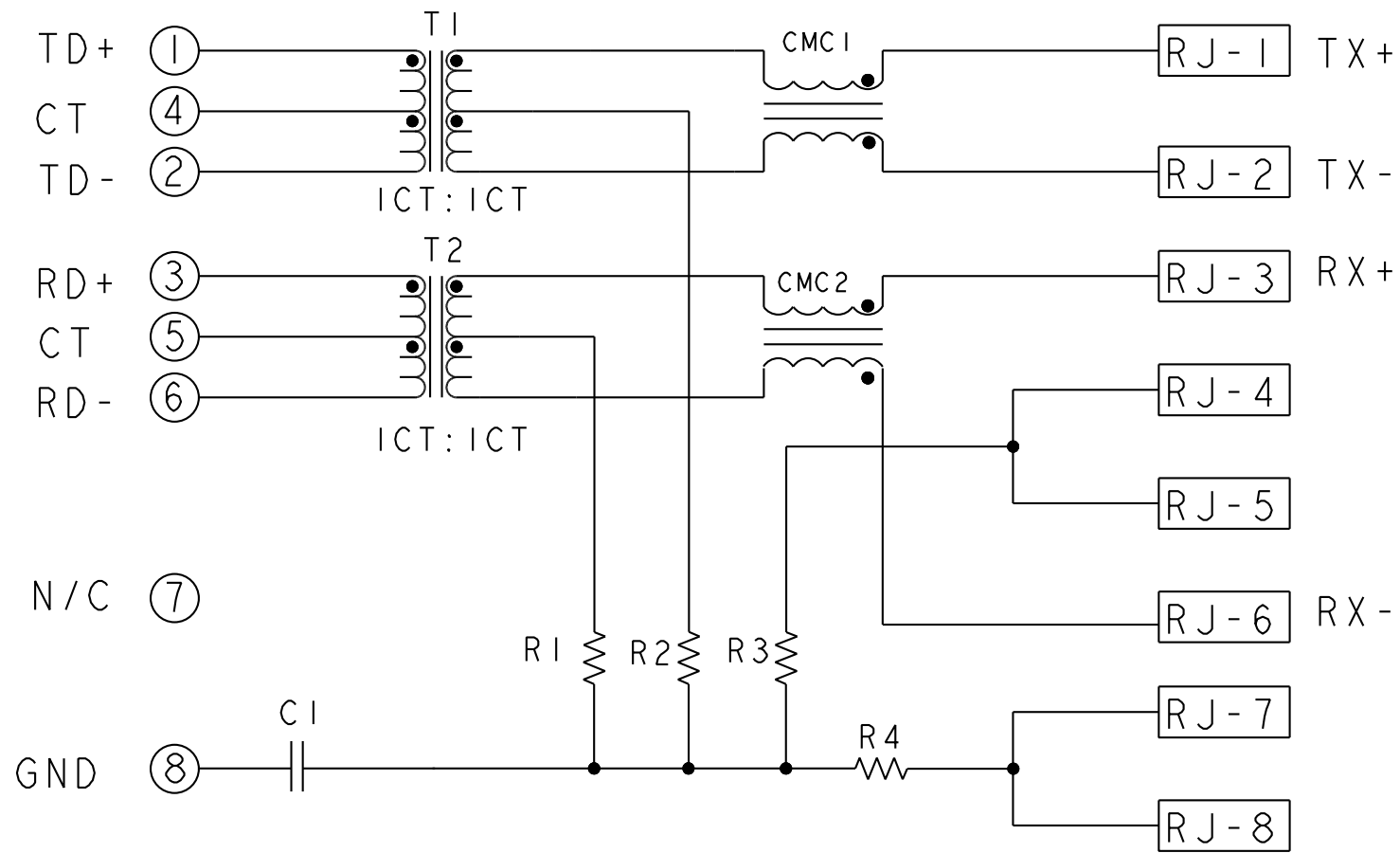


- 1 MATERIALS**  
 HOUSING: THERMOPLASTIC, BLACK, FLAMMABILITY RATED UL 94V-0  
 SHIELD: BRASS, 0.20mm THICK, PREPLATED WITH MIN 0.76um SEMI-BRIGHT NICKEL POST DIPPED WITH 2.54um MIN SAC SOLDER AT GROUND PINS.  
 CONTACT: PHOSPHOR BRONZE, WITH 1.27um MIN OVERALL NICKEL UNDERPLATE AND SELECTIVE 1.27um MIN GOLD PLATING AT MATING INTERFACE  
 SOLDER TAIL: PHOSPHOR BRONZE, WITH 1.27um MIN OVERALL NICKEL UNDERPLATE AND PLATED WITH 2.54um MIN TIN
- 2 MAGNETICS**  
 -APPLICATION: 10/100 BASE-T, EXTENDED TEMPERATURE  
 -IMPEDANCE: 100 OHMS  
 -TURNS RATIO (CHIP:CABLE): TX = 1:1, RX = 1:1  
 -OPEN CIRCUIT INDUCTANCE (OCL): 350uH MIN @100kHz, 0.1VRMS, 8mADC BIAS FROM -40°C TO +85°C, TX AND RX  
 -PERFORMANCE @ 25°C:  
 INSERTION LOSS (IL): 1.1dB MAX FROM 0.5MHz TO 100MHz  
 RETURN LOSS (RL): 18dB MIN FROM 0.5MHz TO 30MHz  
 18-20LOG(f/30)dB MIN FROM 30.1MHz TO 60MHz  
 12dB MIN FROM 60.1MHz TO 80MHz  
 CROSSTALK ATTENUATION: 35dB MIN FROM 0.5MHz TO 40MHz  
 33-20LOG(f/50)dB MIN FROM 40.1MHz TO 100MHz  
 COMMON MODE REJECTION RATIO (CMRR): 30dB MIN FROM 0.5MHz TO 100MHz  
 -ISOLATION VOLTAGE: 2250VDC (MAX) FOR 60 SECONDS WITH A RISE TIME OF 500V/SEC)
- 3** THE MAGNETIC ARE SYMMETRICAL AND SUPPORT AUTO-MDIX OPERATION.
- 4** OPERATING TEMPERATURE: FROM -40°C TO +85°C
- 5** ALL DIMENSIONS TO BE NOMINAL UNLESS OTHERWISE NOTED
- 6** RJ45 CAVITY CONFORMS TO FCC RULES AND REGULATION PART 68 SUB-PART F.
- 7** TRADEMARK, PART NUMBER, DATE CODE, COUNTRY OF ORIGIN, AND AGENCY APPROVAL MARKING IN APPROXIMATE LOCATION SHOW. DATE CODE: "YY" IS YEAR, "WW" IS WORK WEEK, "D" IS DAY OF WEEK, WITH SUNDAY=1
- 8** RECOMMENDED FOR WAVE SOLDERING PROCESS, PEAK SOLDERING TEMPERATURE IS 260 °C MAX, 10 SECONDS MAX
- 9** COMPLIANT IR REFLOW SOLDERING PROCESS, PEAK SOLDERING TEMPERATURE 260°C MAX DURATION TIME 10 SECONDS MAX, OVER 230°C WITHIN 40-60 SECONDS.

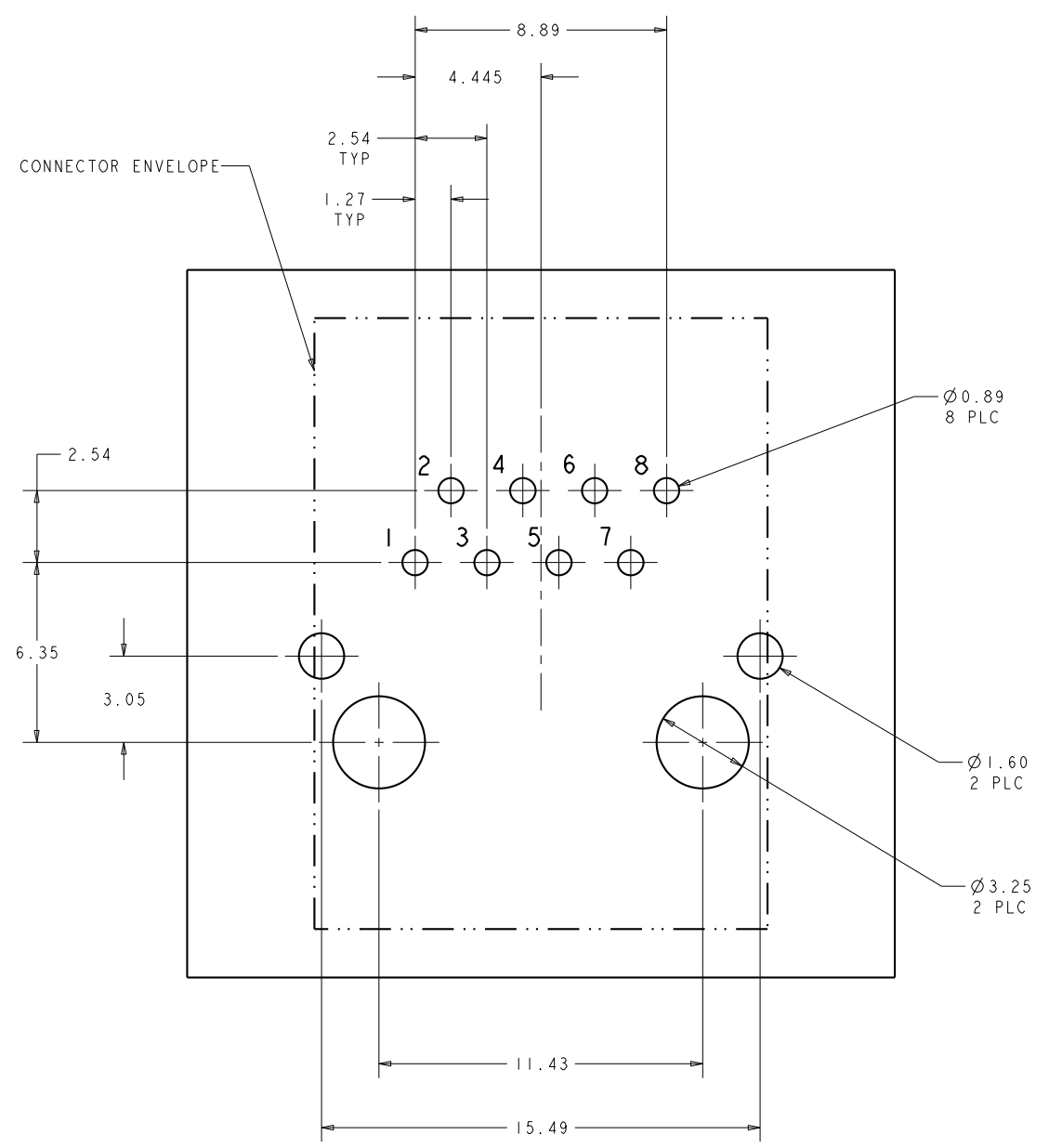
9	2.36	2.36	1840061-2
8	4.00	3.56	1840061-1
SOLDERING PROCESS	DIM B	DIM A	PART NUMBER

THIS DRAWING IS A CONTROLLED DOCUMENT.		DWN PAUL PENG 09MAY2011	<b>trp CONNECTOR</b> a bel group DONGGUAN CHINA	
DIMENSIONS: mm		CHK QUENTIN LIU 09MAY2011		
TOLERANCES UNLESS OTHERWISE SPECIFIED:		APVD LI JUN RAO 09MAY2011		
0 PLC ± 1 PLC ±0.25 2 PLC ±0.25 3 PLC ±0.25 4 PLC ± ANGLES ± APPLICATION SPEC -		MODEL NAME		
PRODUCT SPEC 108-2100		MAGJACK SINGLE NON-PoE	DESC IXI MAGJACK 426ETPI3 10/100 CIRCUIT, VERTICAL, W/O LED	RESTRICTED TO -
CUSTOMER DRAWING			SIZE A2	DRAWING NO C-1840061
SCALE 3:1			SHEET 1 OF 2	REV D


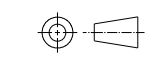
# 426ETP13 10/100 BASE-T CIRCUIT $\triangle_2\triangle_3$



C1 = 1000pF, 2KV, CAPACITOR  
R1 - R4 = 75 ohms, RESISTOR



SUGGESTED PCB LAYOUT (TOL: ±0.05)  
(COMPONENT SIDE VIEW)

THIS DRAWING IS A CONTROLLED DOCUMENT.		DWN PAUL PENG 09MAY2011	 <b>trp</b> CONNECTOR a bel group DONGGUAN CHINA
DIMENSIONS: mm		CHK QUENTIN LIU 09MAY2011	
		APVD LI JUN RAO 09MAY2011	
TOLERANCES UNLESS OTHERWISE SPECIFIED: 0 PLC ± 1 PLC ±0.25 2 PLC ±0.25 3 PLC ±0.25 4 PLC ± ANGLES ± APPLICATION SPEC -		MODEL NAME MAGJACK	
PRODUCT SPEC 108-2100		DESC 426ETP13 10/100 CIRCUIT, VERTICAL, W/O LED	SIZE A2
		CAGE CODE C-1840061	DRAWING NO -
		RESTRICTED TO -	
		CUSTOMER DRAWING	
		SCALE 3:1	SHEET 2 OF 2
		REV D	