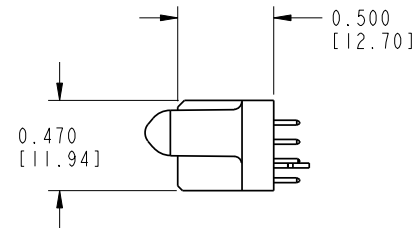
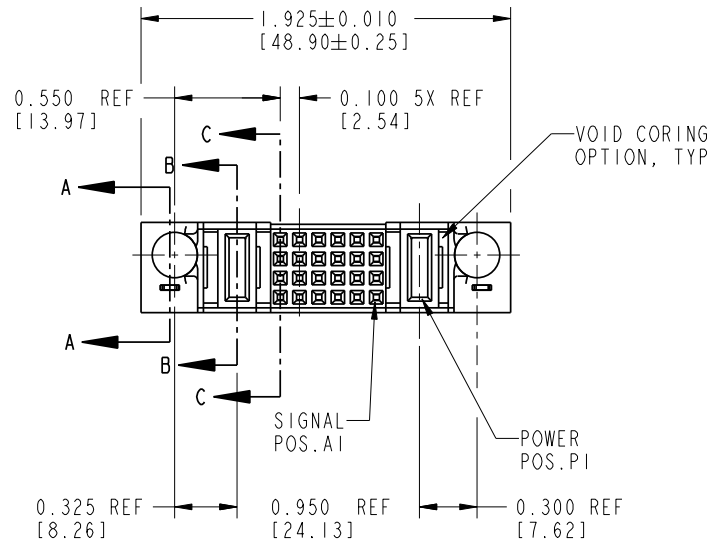
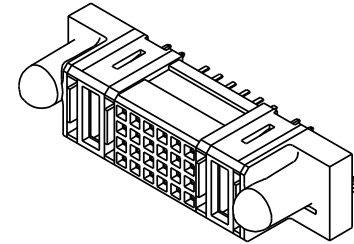
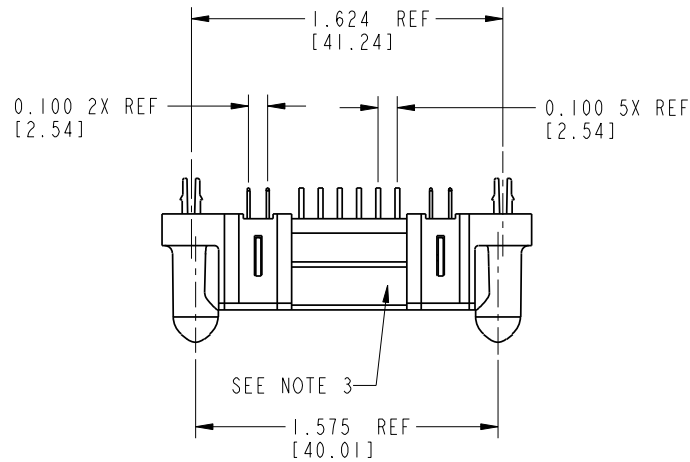


Tous droits strictement réservés. Reproduction ou communication a des tiers interdite sous quelque forme que ce soit sans autorisation écrite du propriétaire. Propriété de c FCI. Droits de reproduction FCI.



All rights strictly reserved. Reproduction or issue to third parties in any form whatever is not permitted without written authority from the proprietor. Property of FCI. Copyright FCI.

PRODUCT NUMBER
51659-001--
NOTE: ②



mat'l code				NOTE 1		tolerances unless otherwise specified		CUSTOMER		FCI	
lir	ecn no.	dr	date	linear	.XX±.01/0.X±0.3	COPY		projection		www.fciconnect.com	
A	V91309	CHB	06-01-99	angles	.XXX±.005/0.XX±0.13	INCH/MM		title		IP + 24S + IP	
B	V00794	MSG	03-28-00		.XXX±.002/.XX±.051	scale		product family		PWRBLADE	
C	V01861	EKK	07-26-00	dr	0°±2°	1:1		size		213	
D	DG05-0238	SJ	07/22/05	enr	C. BAROT 06-01-99			dwg no		51659	
E	DG06-0272	JULIA	07/04/06	chr	J. BROWN 06-01-99			sheet		1 of 4	
				appd	J. BROWN 06-01-99			code			
sheet index	revision sheet	E	E	E	E						
		1	2	3	4						

Pro/E

PDM: Rev: E

STAT: Released

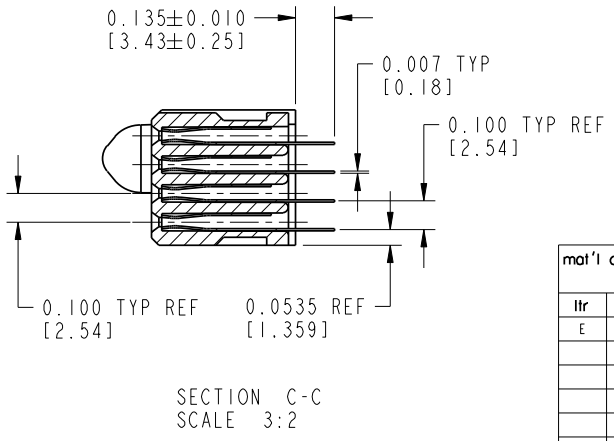
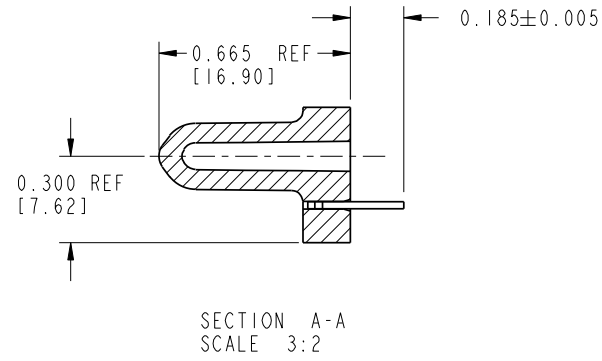
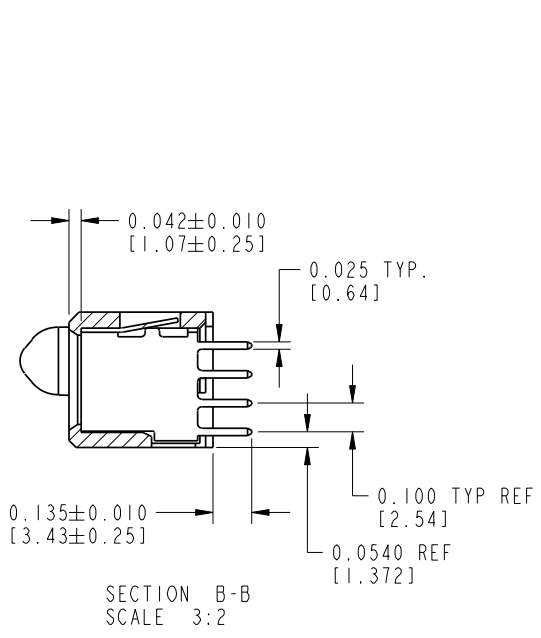
Printed: Dec 20, 2010

Tous droits strictement réservés. Reproduction ou communication a des tiers interdite sous quelque forme que ce soit sans autorisation écrite du propriétaire. Propriété de c FCI. Droits de reproduction FCI.



All rights strictly reserved. Reproduction or issue to third parties in any form whatever is not permitted without written authority from the proprietor. Property of FCI. Copyright FCI.

PRODUCT NUMBER
51659-001--
NOTE: ②



mat'l code		tolerances unless otherwise specified		CUSTOMER		FCI	
lir	ecn no.	dr	date	COPY		www.fciconnect.com	
E				linear	projection	title IP + 24S + IP	
				.XX±.01/0.X±0.3		VERTICAL SOLDER RECEPTACLE	
				.XXX±.005/0.XX±0.13		product family	PWRBLADE
				angles	INCH/MM	size	213
				0°±2°	scale	dwg no	sheet
				dr	3:2	A	2
				enr		51659	
				chr			
				appd			
sheet index	revision sheet						

Pro/E

PDM: Rev: E

STAT: Released

Printed: Dec 20, 2010

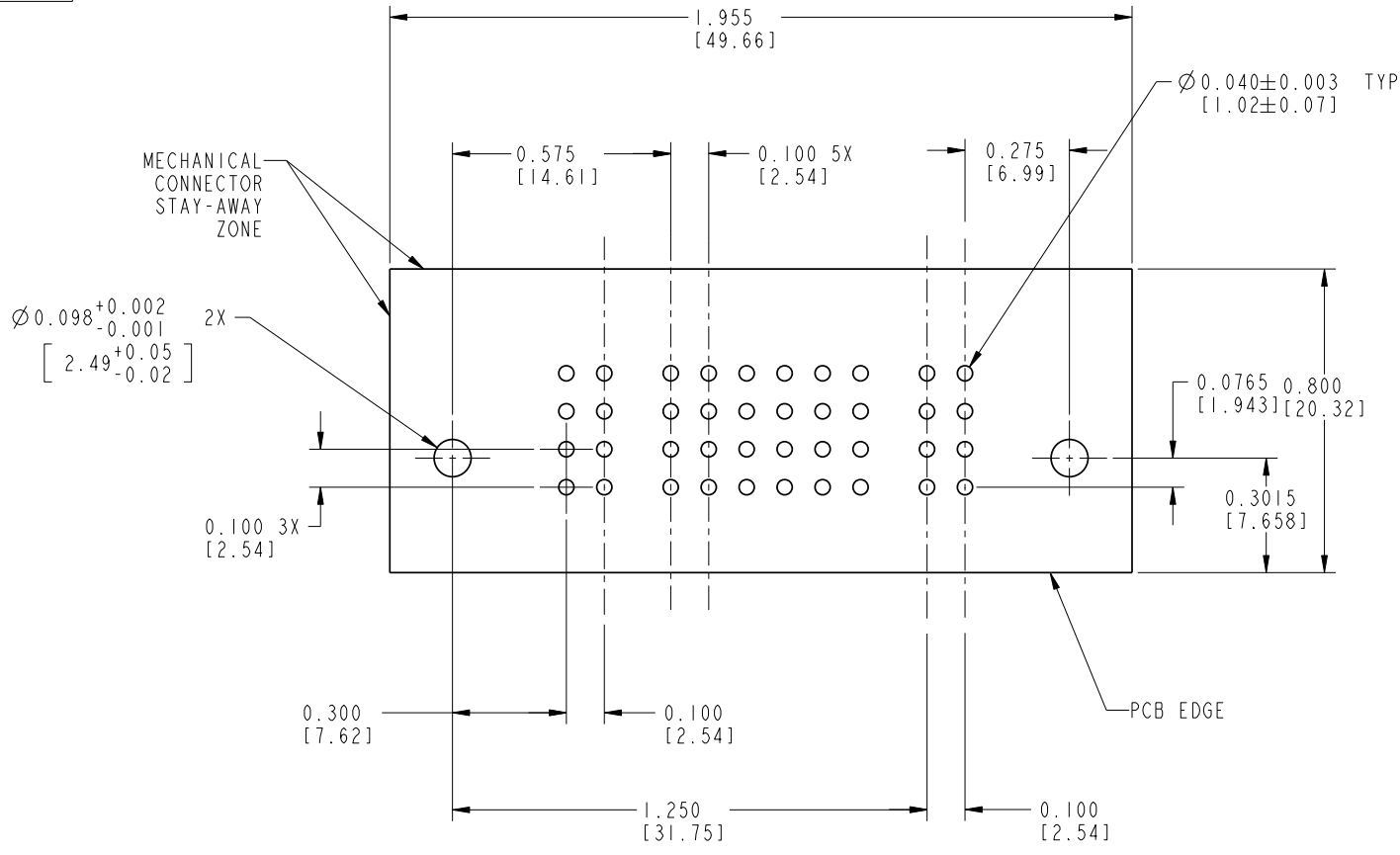
Tous droits strictement réservés. Reproduction ou communication a des tiers interdite sous quelque forme que ce soit sans autorisation écrite du propriétaire. Propriété de c FCI. Droits de reproduction FCI.



All rights strictly reserved. Reproduction or issue to third parties in any form whatever is not permitted without written authority from the proprietor. Property of FCI. Copyright FCI.

1 | 2 | 3 | 4

PRODUCT NUMBER
51659-001--
NOTE: ②



RECOMMENDED PCB LAYOUT

form no. 7530-001-103

1 | 2

Pro/E

PDM: Rev: E

STAT: Released

Printed: Dec 20, 2010

mat'l code		tolerances unless otherwise specified		CUSTOMER		FCI	
lfr	ecn no.	dr	date	.XX±.01/0.X±0.3	COPY	www.fciconnect.com	
E				linear .XXX±.005/0.XX±0.13	projection	title IP + 24S + IP	
				.XXX±.002/.XX±.051	0° ± 2°	VERTICAL SOLDER RECEPTACLE	
				angles 0° ± 2°	INCH/MM	product family	PWRBLADE
				dr C. BAROT 06-01-99	scale	size	code
				enr J. BROWN 06-01-99	2:1	dwg no	213
				chr J. BROWN 06-01-99		A	51659
				appd J. BROWN 06-01-99			sheet
sheet index	revision sheet						3

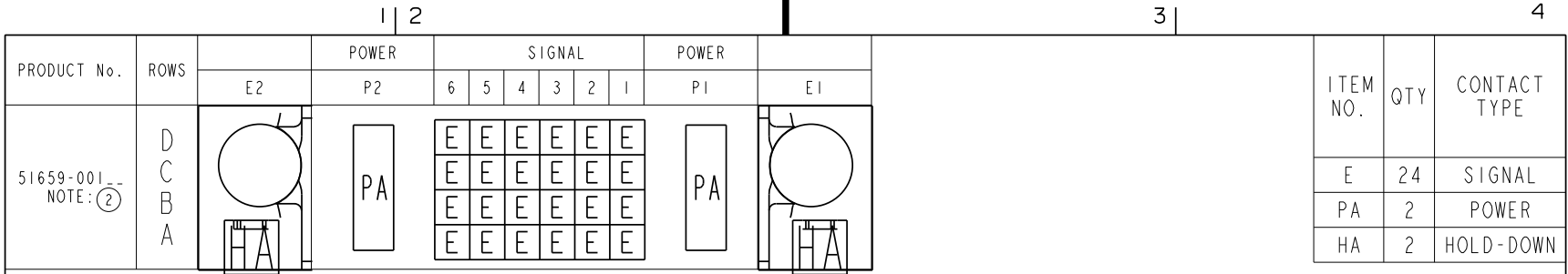
B

code code 22556

Tous droits strictement réservés. Reproduction ou communication o des liers interdite sous quelque forme que ce soit sans autorisation écrite du propriétaire. Propriété de c FCI. Droits de reproduction FCI.



All rights strictly reserved. Reproduction or issue to third parties in any form whatever is not permitted without written authority from the proprietor. Property of FCI. Copyright FCI.



ITEM NO.	QTY	CONTACT TYPE
E	24	SIGNAL
PA	2	POWER
HA	2	HOLD-DOWN

CONNECTOR NOTES:

- HOUSING MATERIAL: GLASS FILLED HIGH TEMP THERMOPLASTIC PER UL94 V-0.
SIGNAL CONTACT MATERIAL: COPPER ALLOY
POWER CONTACT MATERIAL: COPPER ALLOY
- 51659-001;51659-001LF;51659-001GLF PLATING SPEC. SEE PRINT:10064183
- MANUFACTURER NAME, P/N, AND LOT CODE TO APPEAR ON THIS SURFACE.

PCB NOTES:

- ALL DIMENSIONS ARE BASIC UNLESS OTHERWISE SPECIFIED
- ALL THROUGH HOLES ARE LOCATED WITH A TRUE POSITION OF 0.004"
- ALL DIAMETERS ARE FINISHED HOLE SIZES
- $\varnothing 0.0453/1.151$ DRILLED HOLES, PLATED WITH 0.0003/0.007 MIN. SnPb OVER 0.001/1.03 TO 0.003/0.08 Cu PLATING TO ACHIEVE A $\varnothing 0.040 \pm 0.003/1.02 \pm 0.07$ HOLE.

mat'l code		tolerances unless otherwise specified		CUSTOMER		FCI	
lir	ecn no.	dr	date	COPY		www.fciconnect.com	
E				linear	.XX±.01/0.X±0.3	projection	title IP + 24S + IP
					.XXX±.005/0.XX±0.13		VERTICAL SOLDER RECEPTACLE
				angles	.XXX±.002/.XX±.051		
					0°±2°		product family PWRBLADE
				dr	C. BAROT 06-01-99		size
				enrg	J. BROWN 06-01-99	INCH/MM	sheet 4
				chr	J. BROWN 06-01-99		scale
				appd	J. BROWN 06-01-99	2:1	size A
sheet index	revision sheet						dwg no 51659