

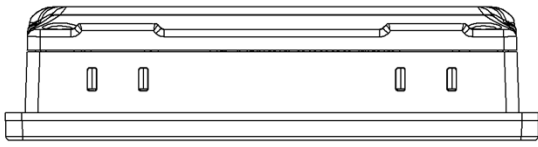
4.3" Dual Ethernet Industrial HMI



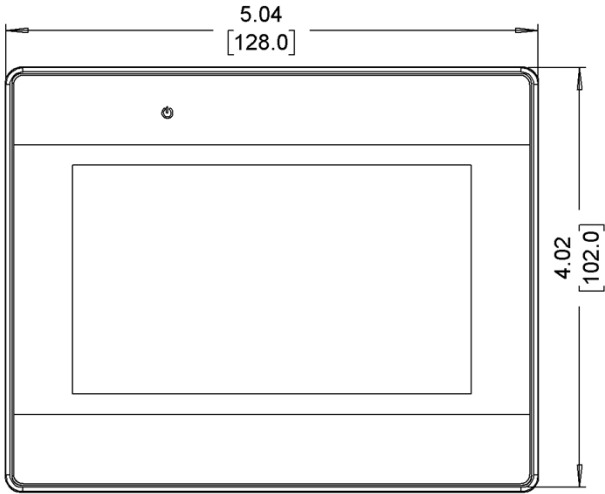
- Enhanced Graphics, Animation
- Enhanced Security
- Email Notification
- Recipe, Data Logging, Pie Charts
- Trend Graphic, Circular Trends
- Remote Access (Easy Access 2.0)



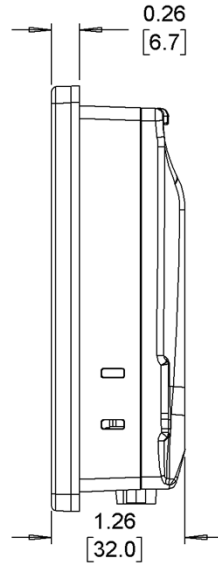
System	CPU	32-bit RISC Cortex-A8, 600 MHz
	Memory (RAM)	128 MB
	Memory (Flash)	128 MB
	RTC	Built-in
I/O Ports	Serial	1 x DE9P COM1: RS-232/RS-485 2 or 4 wire, COM3: RS-485 2 wire
	LAN	1 x 10/100 Base-T RJ-45, 1 x GBE RJ-45
	CANbus	N/A
	USB Host	1 x USB 2.0
	USB Client	N/A
	Audio	N/A
	Video	N/A
	Wi-Fi	N/A
	HDMI®	N/A
	SD Card Slot	N/A
Display	Display Type	4.3" TFT LCD
	Size (W x H)	3.70 x 2.10 inches [95 x 54 mm]
	Resolution (pixels)	480 x 272
	Max. Colors	16.7 M
	Luminance (cd/m²)	400
	Viewing Angle (H°/V°)	160/140
	Contrast Ratio	500:1
Backlight Lifetime (hours)	30,000+	
Touch Screen	Type	4-wire resistive touch
	Active Area Accuracy	Length (X) ± 2%, width (Y) ± 2%
Electrical	Input Voltage	22 ~ 28 VDC
	Input Current	450 mA @ 24 VDC
	Input Power	10.8 W
	Power Isolation	Built-in
	Isolation Resistance	Exceed 50 MΩ at 500 VDC
Mechanical	Enclosure	Plastic, light grey
	PCB Coating	Yes
	Dimensions (W x H x D)	5.04 x 4.02 x 1.26 inches [128 x 102 x 32 mm]
	Net Weight	Approx. 0.55 lbs. [0.25 kg]
	Mounting	Panel mounting
Environmental	Operating Temperature	32° ~ 113° F [0° ~ 45° C]
	Storage Temperature	-4° ~ 140° F [-20° ~ 60° C]
	Relative Humidity	10% ~ 90% (non-condensing)
	Vibration Endurance	10 to 25 Hz (X, Y, Z direction, 2 G, 30 minutes)
	Ratings	UL Type 4X (indoor use only), NEMA 4, IP65 compliant front panel
Certifications	CE, cULus, RoHS	
Software	EBPro (v6.00.01.174 or later), EasyAccess 2.0 pre-installed and activated, IIoT Ready, MQTT, Sparkplug, VNC	
Notes	Specifications subject to change without notice	



Top View

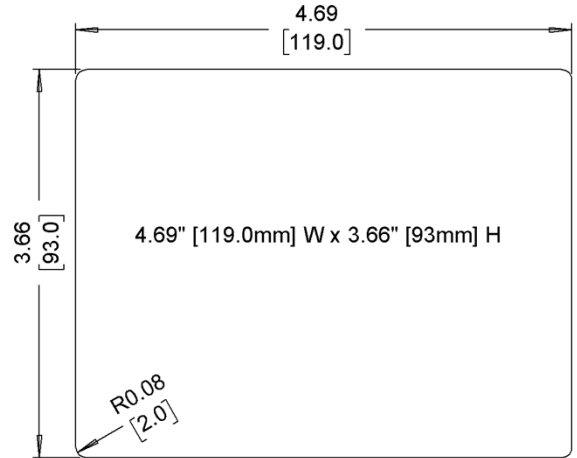


Front View

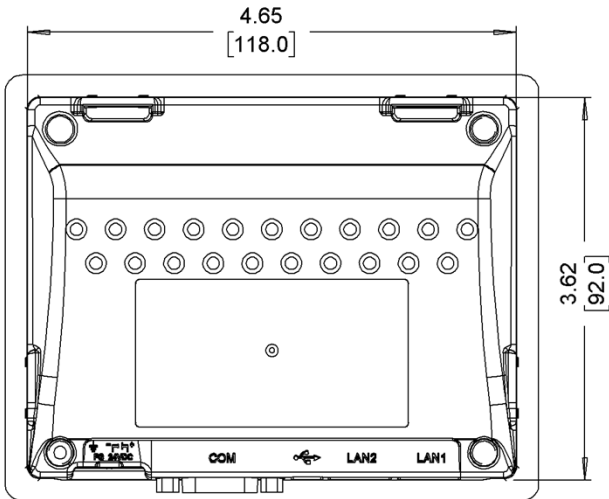


Side View

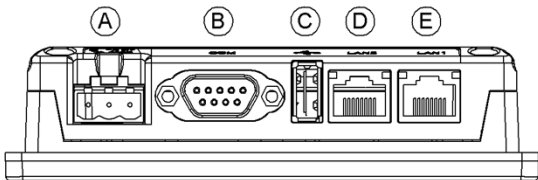
Dimensions are in inches [mm]



Cutout Dimensions



Rear View



Bottom View

- A Power Connector
- B COM Port DE9P
- C USB 2.0 Host Port
- D Ethernet Port
- E Gigabit Ethernet port