

Customer Information Sheet

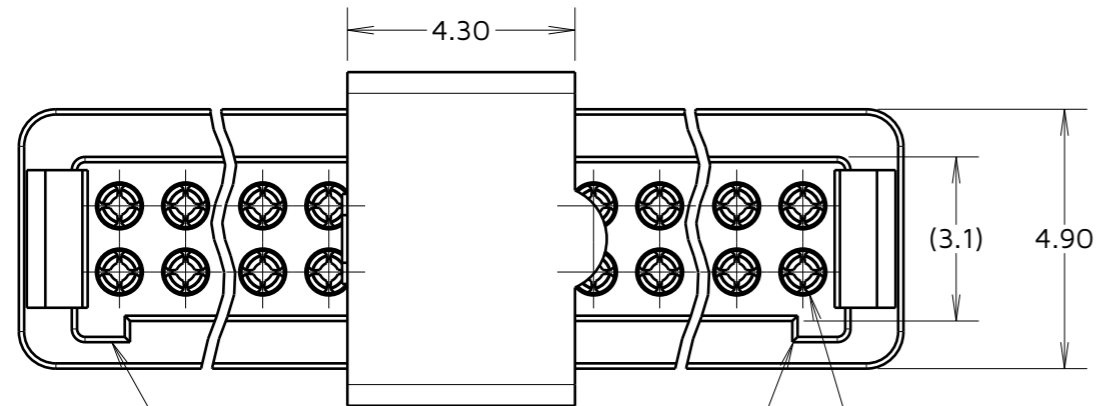
IF IN DOUBT - ASK

©

NOT TO SCALE

THIRD ANGLE PROJECTION

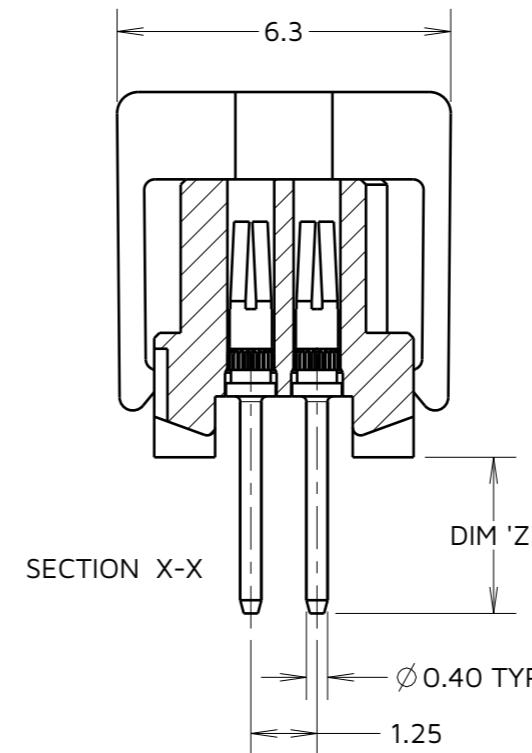
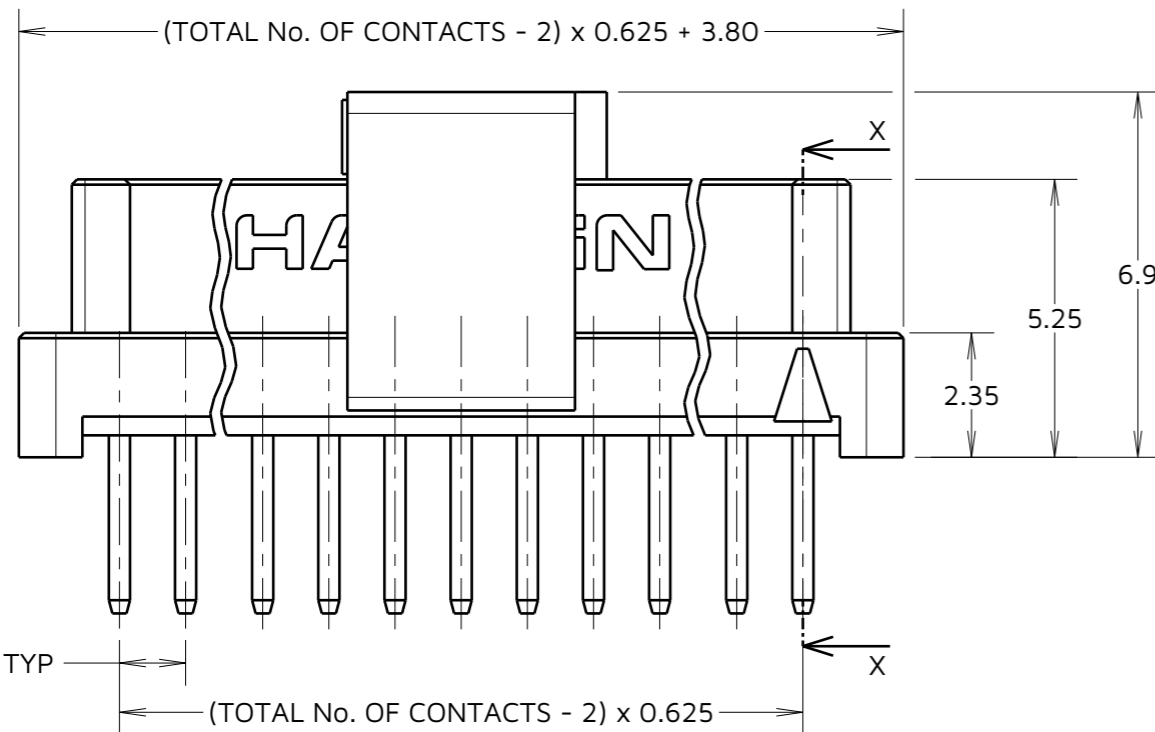
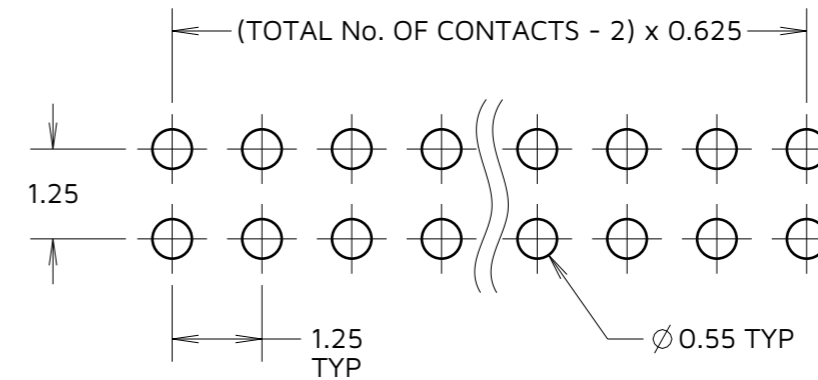
ALL DIMENSIONS IN mm



POLARISATION FEATURES

CONTACT No. 1

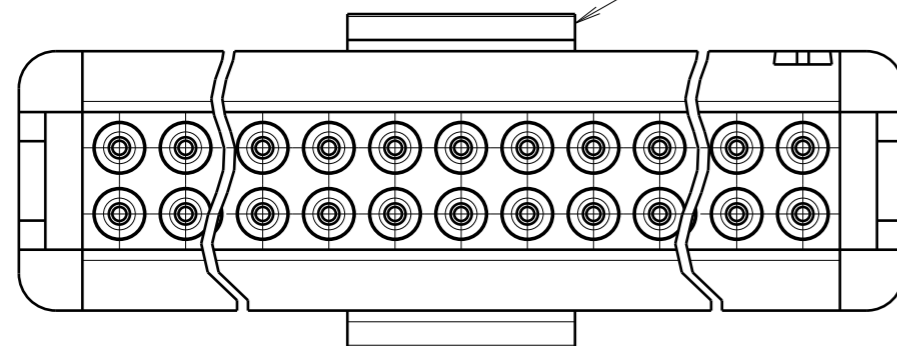
RECOMMENDED PCB LAYOUT
TOLERANCE = $\pm 0.05\text{mm}$



ORDER CODE: **G125-FVXXX05LOR**
 CONTACT STYLE: _____
 3.00mm PC-TAIL = V1
 4.50mm PC-TAIL = V2
 TOTAL No. OF CONTACTS: _____
 06, 10, 12, 16, 20, 26, 34, 50

CONTACT STYLE	DIM 'Z'
V1	3.00
V2	4.50

PICK & PLACE CAP
CENTRALLY POSITIONED ± 0.50



CONNECTOR DETAILS AND PCB LAYOUT ONLY.
SEE SHEET 6 FOR TAPE AND REEL DETAILS.

NOTES:

1. FOR COMPLETE SPECIFICATION, SEE COMPONENT SPECIFICATION C125XX (LATEST ISSUE).

MGP	6	26.04.23	32485
NAME	ISS.	DATE	CN/CO
APPROVED: MGP			
CHECKED: RTP			
DRAWN: S.FLOWER			
ASSEMBLY DRG:			

HARWIN

www.harwin.com

TOLERANCES
 X. = $\pm 1\text{mm}$
 X.X = $\pm 0.50\text{mm}$
 X.XX = $\pm 0.20\text{mm}$
 X.XXX = $\pm 0.01\text{mm}$
 ANGLES = $\pm 5^\circ$
 UNLESS STATED

THIS DRAWING AND ANY INFORMATION OR DESCRIPTIVE MATTER SET OUT HEREON ARE CONFIDENTIAL AND COPYRIGHT PROPERTY OF THE HARWIN GROUP AND MUST NOT BE DISCLOSED, LOANED, COPIED OR USED FOR MANUFACTURING, TENDERING OR FOR ANY OTHER PURPOSE WITHOUT THEIR WRITTEN PERMISSION.

MATERIAL:
SEE ABOVE

TITLE: **1.25mm GECKO FEMALE VERTICAL THROUGH BOARD CONNECTORS IN TAPE AND REEL**

DRAWING NUMBER:
G125-FVXXX05LOR

SHT
5 OF 6

Customer Information Sheet

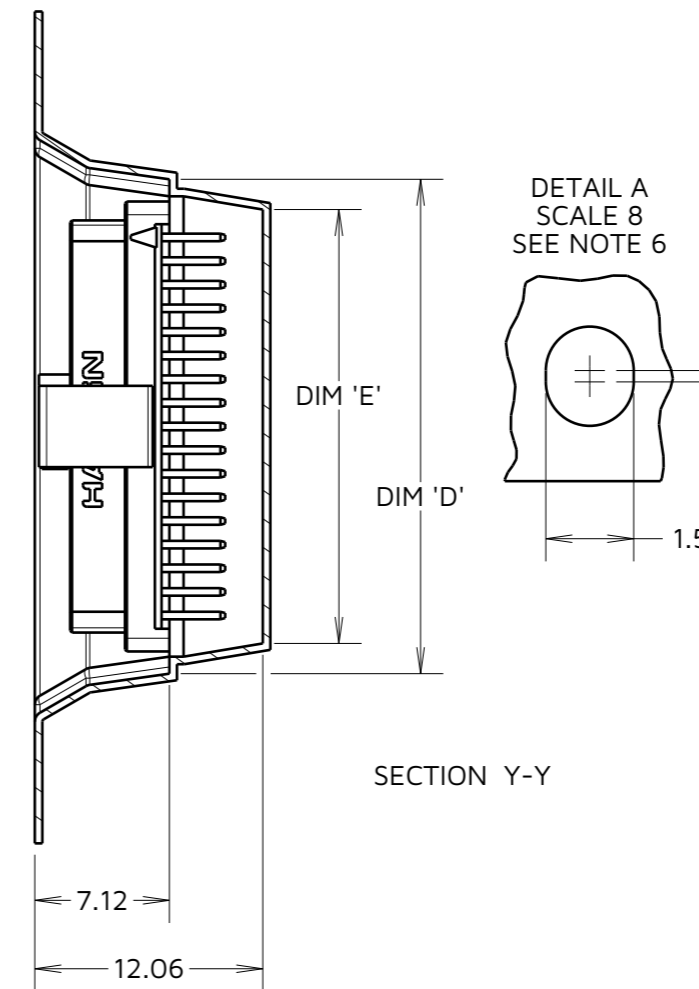
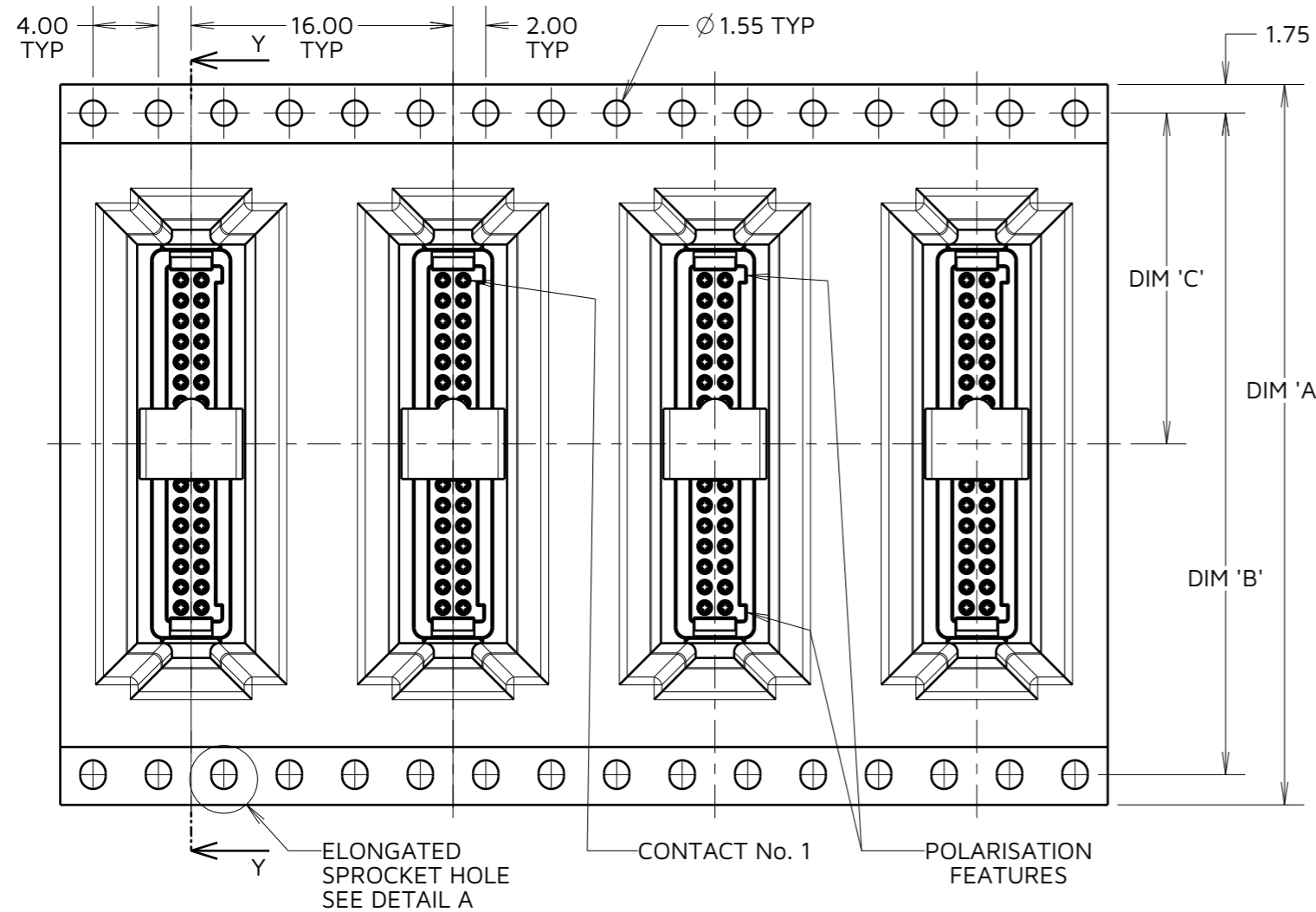
IF IN DOUBT - ASK

©

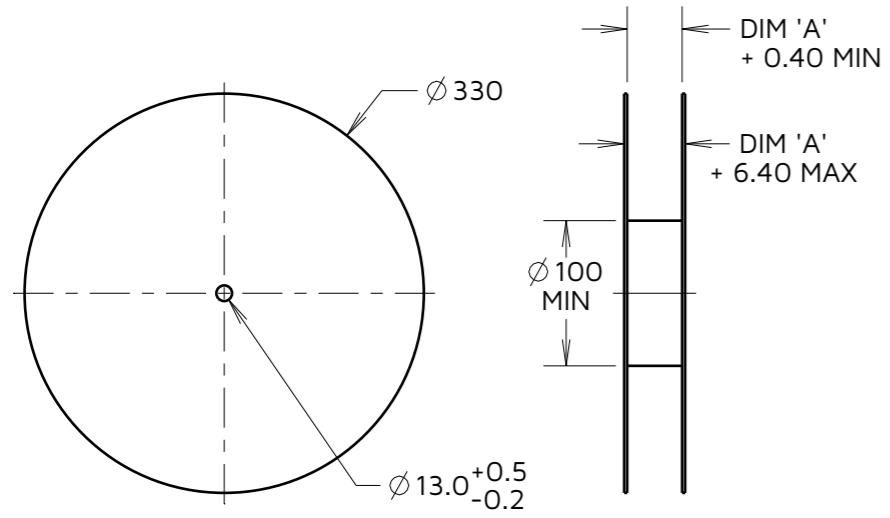
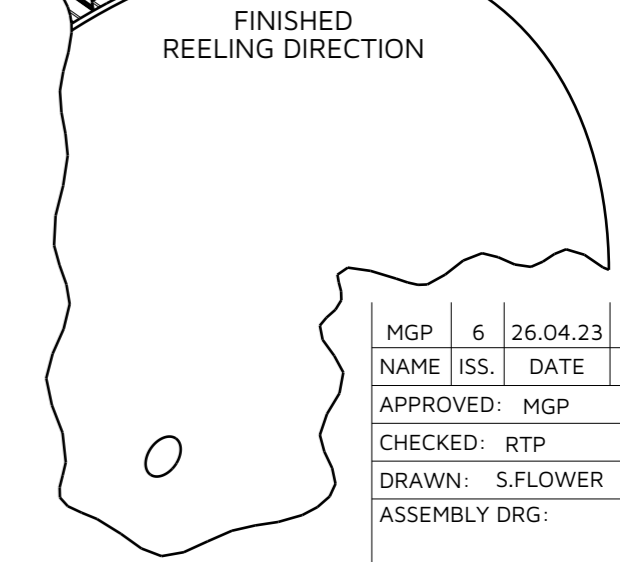
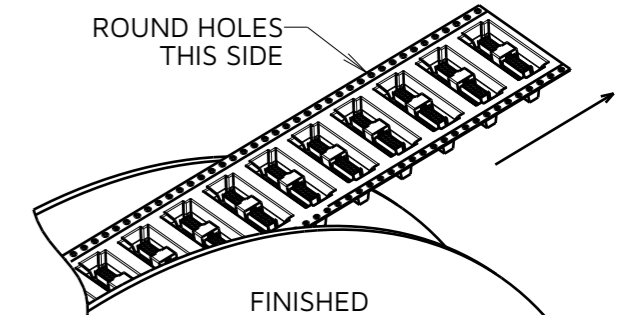
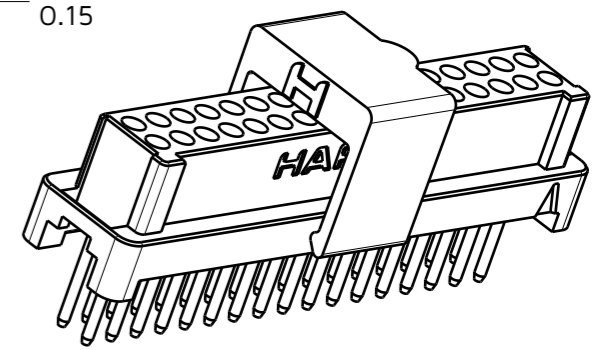
NOT TO SCALE

THIRD ANGLE PROJECTION

ALL DIMENSIONS IN mm



ORDER CODE: **G125-FVXXX05LOR**
 CONTACT STYLE:
 3.00mm PC-TAIL = V1
 4.50mm PC-TAIL = V2
 TOTAL No. OF CONTACTS:
 06, 10, 12, 16, 20, 26, 34, 50



PART No.	DIM 'A'	DIM 'B'	DIM 'C'	DIM 'D'	DIM 'E'
G125-FVX0605LOR	24.0±0.3	NO ELONGATED HOLE	11.50	(8.7)	(5.5)
G125-FVX1005LOR				(11.2)	(8.0)
G125-FVX1205LOR	32.0±0.3	28.40	14.20	(12.4)	(9.2)
G125-FVX1605LOR				(14.9)	(11.7)
G125-FVX2005LOR	44.0±0.3	40.40	20.2±0.15	(17.4)	(14.2)
G125-FVX2605LOR				(21.2)	(18.0)
G125-FVX3405LOR				(26.2)	(23.0)
G125-FVX5005LOR	56.0±0.3	52.40	26.2±0.15	(36.2)	(33.0)

- NOTES:
 1. QUANTITY OF COMPONENTS PER REEL = 250.
 2. SEE DRAWING G125-FS1XX05F1P FOR OTHER QUANTITIES.
 3. THIS PRODUCT IS TAPED AND REELED IN ACCORDANCE WITH EIA-481-2-A (ELECTRONIC INDUSTRIES ASSOCIATION).
 4. FOR COMPLETE SPECIFICATION, SEE COMPONENT SPECIFICATION C125XX (LATEST ISSUE).
 5. COMPONENTS ARE ORIENTATED IN TAPE POCKETS SO THAT THE POLARISING FEATURES ARE FACING TOWARDS THE FREE END.
 6. ELONGATED SPROCKET HOLE NOT PRESENT ON 06 & 10 POSITIONS.



TOLERANCES
 X. = ±1mm
 X.X = ±0.50mm
 X.XX = ±0.20mm
 X.XXX = ±0.01mm
 ANGLES = ±5°
 UNLESS STATED

THIS DRAWING AND ANY INFORMATION OR DESCRIPTIVE MATTER SET OUT HEREON ARE CONFIDENTIAL AND COPYRIGHT PROPERTY OF THE HARWIN GROUP AND MUST NOT BE DISCLOSED, LOANED, COPIED OR USED FOR MANUFACTURING, TENDERING OR FOR ANY OTHER PURPOSE WITHOUT THEIR WRITTEN PERMISSION.

MATERIAL:
 SEE ABOVE

TITLE: **1.25mm GECKO FEMALE VERTICAL THROUGH BOARD CONNECTORS IN TAPE AND REEL**
 DRAWING NUMBER: **G125-FVXXX05LOR**
 SHT 6 OF 6

MGP	6	26.04.23	32485
NAME	ISS.	DATE	CN/CO
APPROVED: MGP			
CHECKED: RTP			
DRAWN: S.FLOWER			
ASSEMBLY DRG:			