



85 West Algonquin Road  
Suite 230  
Arlington Heights, IL 60005

10-9-2012

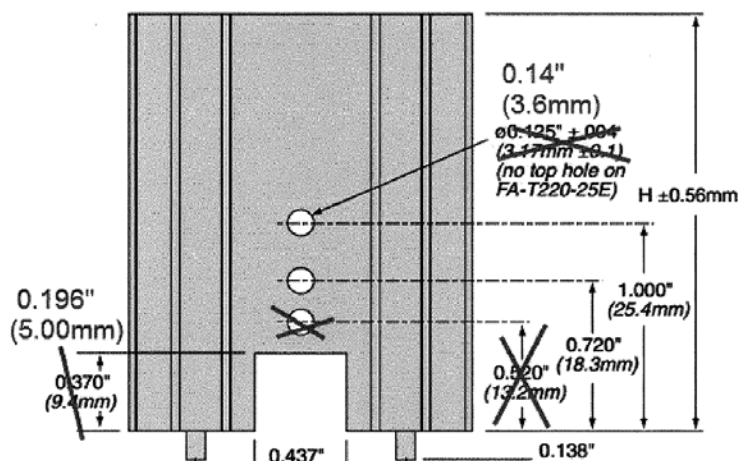
Sub: Product Change Notification

### FA-T220-38E HEATSINK

**Effective immediately** all backorders for the FA-T220-38E heatsink will involve 3 minor dimensional changes due to a re-tooling of the device.

1. The bottom hole will be removed.
2. The top hole will be 0.14" rather than 0.125"
3. The cavity at the base of the heatsink will be reduced from 0.37" to 0.196"

If you publish drawings of this device on your company website please revise them to reflect these changes. The Ohmite web page has already been changed and a notation is there to alert customers.



Best Regards,

Kirk Schwiebert

Director of Product Development

Information, data and drawings embodied in this correspondence are strictly confidential and are supplied on the understanding that they will be held confidentially and not disclosed to third parties without the prior written consent of Ohmite Manufacturing Company, Inc.